

# MEYER

## FORMULA IIII



# SINGLE SCREW FORMULA MIXER

Models F425 • F510

## Owner / Operator's Manual & Parts Book

Starting Model Year 2022



# 1.0 IMPORTANT INFORMATION

The mixer serial number plate is located on the left hand side of the mixing tub. Please enter the model, serial number and additional information in the space provided for future reference.



Model No. \_\_\_\_\_

Mixer Serial No. \_\_\_\_\_

Date of Purchase \_\_\_\_\_

Dealership \_\_\_\_\_

Dealership Phone No. \_\_\_\_\_

Always use your serial number when requesting information or when ordering parts.

## HOW TO READ YOUR SERIAL NUMBER

### MIXER

EXAMPLE: 21VU0425201

Model Year / Vertical Mixer / Model / Sequence Of Build



21



VU



0425



201

Meyer Manufacturing Corporation  
674 W. Business Cty Rd A  
Dorchester, WI 54425  
Phone: 1-800-325-9103  
Fax: 715-654-5513  
Email: [parts@meyermfg.com](mailto:parts@meyermfg.com)  
Website: [www.meyermfg.com](http://www.meyermfg.com)



## 2.0 PRE-DELIVERY & DELIVERY CHECKLIST

PB Mixer Checklist

### Meyer Manufacturing Corporation

Phone: 715-654-5132 • Toll-Free: 1-800-325-9103 • P.O. Box 405 • Dorchester, WI 54425

This Pre-Delivery & Delivery Checklist must be gone through by the Selling Party and the Customer to validate the Owner's Registration Form.

#### PRE-DELIVERY CHECKLIST

After the New Meyer Mixer has been completely set-up, check to be certain it is in correct running order before delivering it to the customer.

The following is a list of points to inspect:

**Check off each item as you have made the proper adjustments and found the item operating satisfactorily. Any adjustments made, MUST be according to specifications defined in this manual.**

- All shields and guards are in place and securely fastened.
- All PTO shields turn freely.
- All bolts and other fasteners are secure and tight.
- All mechanisms operate trouble free.
- All grease fittings have been lubricated, gear boxes filled to proper levels, and all roller chains are oiled. See "Lubrication" section of this manual.
- Conveyor Belt or Chain are at proper tension. See "Adjustments" section in this manual.
- All decals are in place and legible.
- All stop/tail/turn lights work properly.

#### DELIVERY CHECKLIST

The following checklist is an important reminder of valuable information that **MUST** be passed on to the customer at the time the unit is delivered.

**Check off each item as you explain it to the customer.**

- Explain to the customer that pre-delivery checklist was fully completed.
- Give customer the Owner & Operator's Manual. Instruct to read and completely understand its contents **BEFORE** attempting to operate the mixer.
- Explain and review with customer the New Meyer mixer manufacturer's warranty.
- Show the customer where to find the serial number on the implement.
- Explain and review with the customer "Safety Precautions" section of this manual.
- Explain and review with customer the proper "Start-up and Operating Procedures" sections of this manual.
- Explain and review with customer the recommended loading and unloading procedures.
- Demonstrate the start-up and shutdown controls, proper hydraulic hose storage and tip holder used to keep system clean from contaminants.
- Explain the importance of conveyor chain or belt tension, and the need to watch and tighten during the break-in period.
- Explain that regular lubrication and proper adjustments are required for continued proper operation and long life of the mixer. Review with the customer the "Lubrication" and "Adjustments" sections of this manual.
- Fully complete this "PRE-DELIVERY & DELIVERY CHECKLIST" with the customer.



**Meyer Manufacturing Corporation**

674 W. Business Cty Rd A

Dorchester, WI 54425

Phone: 1-800-325-9103

Fax: 715-654-5513

Email: [parts@meyermfg.com](mailto:parts@meyermfg.com)

Website: [www.meyermfg.com](http://www.meyermfg.com)

### 3.0 INTRODUCTION

*Congratulations on your purchase of a new Meyer farm equipment product. Undoubtedly you have given much consideration to your purchase and we're proud that you have selected Meyer. Pride in craftsmanship, engineering and customer service have made Meyer products the finest in the farm equipment industry today.*

*There is no substitute for quality. That is why thousands of people like you have purchased Meyer farm equipment. They felt it was the best equipment to serve their farming needs, now and in years to come. We ask that you follow our policy of "safety first", and we strongly suggest that you read through the Operator's & Parts manual before operating your Meyer farm equipment. Meyer Manufacturing Corporation wants to thank you for not compromising quality. We are determined to offer excellence in customer service as well as provide you with the very best value for your dollar.*

*Sincerely,*

*All Employees of*

*MEYER MANUFACTURING CORPORATION*

---

When the PTO is referred to, it means power takeoff from the tractor.

The formula mixer may be referred to as mixer, implement, equipment or machine in this manual.



**IMPORTANT:** You are urged to study this manual and follow the instructions carefully. Your efforts will be repaid in better operation and service as well as a savings in time and repair expense. Failure to read this manual and understand the machine could lead to serious injury. If you do not understand instructions in this manual, contact either your dealer or Meyer Manufacturing Corp. at Dorchester, WI 54425.



**WARRANTY:** At the front of this manual is the Owner's Registration Form. Be sure your dealer has completed this form and promptly forwarded a copy to Meyer Manufacturing to validate the manufacturer's warranty. The product model and serial number are recorded on this form and on the inside of the front cover for proper identification of your Meyer equipment by your dealer and the manufacturer when ordering repair parts. The Mixer serial number plate is located on the left hand side of the mixing tub.

**Manufacturer's Statement:** Meyer Manufacturing Corporation reserves the right to make improvements in design, or changes in specifications at any time, without incurring any obligation to owners of units previously sold. This supersedes all previous published instructions.



# TABLE OF CONTENTS

1.0	IMPORTANT INFORMATION	2
2.0	PRE-DELIVERY & DELIVERY CHECKLIST	3
3.0	INTRODUCTION	5
4.0	MANUFACTURER'S WARRANTY	11
5.0	SAFETY	13
5.1	SAFETY PRECAUTIONS	14
5.2	SAFETY SIGNS	16
5.3	SHUTOFF & LOCKOUT POWER	24
5.3.1	Shutoff & Lockout Power Recommendations	24
6.0	PRE-OPERATION	25
6.1	STATIC INSPECTION	25
6.2	LIGHT HOOK-UP	26
6.3	HYDRAULIC HOOK-UP	26
6.4	PTO DRIVELINE	27
6.4.1	Tractor Drawbar Setup	27
6.5	HITCHING TO TRACTOR	28
6.5.1	Jack Storage	29
6.6	START-UP AND SHUT-DOWN	30
6.6.1	Start-Up	30
6.6.2	Shut-Down	30
6.7	OPERATIONAL CHECKS	31
6.8	TRANSPORTING	32
6.8.1	Safety Chain	33
6.8.2	Brake Information	33
6.8.3	Tractor Towing Size Requirements	34
6.9	OPTIONAL EQUIPMENT	34
7.0	OPERATION	35
7.1	GENERAL	35
7.1.1	Material	36
7.1.2	Shear Bolt PTO, Primary (F425/F510)	36
7.2	LOADING	36
7.2.1	Loading Steps	37

7.3 MIXING .....	38
7.4 PLATFORM OPERATION .....	38
7.5 FOLDING LADDER .....	39
7.6 UNLOADING .....	39
7.7 UNHOOKING THE TRACTOR .....	40
7.8 HAY STOP ADJUSTMENT .....	41
7.8.1 Hay Stop Lock Bolt .....	41
7.9 MIXER TROUBLESHOOTING GUIDE .....	42
8.0 MAINTENANCE .....	43
8.1 LUBRICATION .....	43
8.1.1.1 Daily .....	43
8.1.1.2 Every 8 hours: .....	44
8.1.1.3 Monthly: .....	44
8.1.1.4 Every 40 hours: .....	45
8.1.1.5 First 50 hours: .....	45
8.1.1.6 Every 250 hours: .....	46
8.1.1.7 Annually: .....	47
8.1.1.8 Annually or Every 1000 Hours (Whichever Is First): .....	47
8.1.2 Grease Packed Hubs .....	48
8.1.3 Gearbox Oil Change .....	48
8.1.3.1 Planetary Gearbox .....	49
8.2 ADJUSTMENTS .....	50
8.2.1 Side Discharge Conveyor .....	50
8.2.2 Tracking .....	50
8.2.3 Front Discharge Conveyor - Chain .....	53
8.2.4 Auger Scraper Plate .....	53
8.2.5 Knives .....	54
8.2.5.1 Knife Removal .....	54
8.2.5.2 Adding Knives .....	54
8.2.5.3 Knife Placement .....	54
8.2.5.4 Knife Position .....	54
8.2.5.5 Replacing Damaged or Worn Knives .....	54
8.2.6 Wheel Bearing Preload .....	55
8.3 WHEELS AND TIRES .....	55
8.3.1 Wheel Installation .....	55
8.3.2 Wheel torque .....	55
8.3.3 Tire Inflation .....	55
8.4 STORING THE MIXER .....	56
8.5 RETURNING THE MIXER TO SERVICE .....	56
9.0 PARTS REPAIR AND REPLACEMENT .....	57



9.1 REPLACEMENT PARTS .....	57
ELECTRICAL .....	58
LIGHTS .....	58
WEIGH BAR WIRING DIAGRAM .....	60
SUBFRAME .....	62
HUB ASSEMBLY .....	64
MIXER BODY .....	66
FRONT FLAT & INCLINE BASE BELT CONVEYOR .....	68
FRONT FLAT BELT CONVEYOR HYDRAULIC SCHEMATIC .....	76
FRONT INCLINE BELT CONVEYOR .....	78
FRONT INCLINE BELT CONVEYOR HYDRAULIC SCHEMATIC .....	82
FRONT INCLINE BELT CONVEYOR STOP .....	84
FRONT FLAT & INCLINE BASE CHAIN CONVEYOR ASSEMBLY .....	86
FRONT FLAT & FRONT INCLINE CONVEYORS .....	90
FRONT DISCHARGE INCLINE CHAIN CONVEYOR HYDRAULIC SCHEMATIC (36" X 36") .....	92
SIDE DISCHARGE BELT CONVEYOR .....	94
SIDE DISCHARGE INCLINE BELT CONVEYOR HYDRAULIC SCHEMATIC 36" X 24 (LEFT & RIGHT DISCHARGE), 36" X 36" (LEFT DISCHARGE), 36" X 48" (LEFT DISCHARGE) .....	100
SIDE DISCHARGE INCLINE CONVEYOR HYDRAULIC SCHEMATIC 36" X 36" (RIGHT DISCHARGE), 36" X 48" (RIGHT DISCHARGE) .....	102
DOOR .....	104
DOOR HYDRAULIC SCHEMATIC FRONT / LEFT / RIGHT / DUAL LEFT AND RIGHT DOOR .....	106
LADDER .....	108
AUGER .....	110
DRIVELINE .....	114
PLANETARY OIL SYSTEM .....	116
PTO DRIVE SHAFT .....	118
UNIVERSAL JOINT .....	119
OPTIONAL EQUIPMENT .....	120
HAY RETAINING RING .....	120
8" CAPACITY EXTENSION .....	121
TIP OFF FRONT INCLINE DISCHARGE (CHAIN ONLY) & SIDE DISCHARGE .....	122
REMOTE SCALE MOUNT .....	124

RUBBER SIDE DOOR CHUTE ASSEMBLY .....	126
CONVEYOR HANGING MAGNET/WEIGHT ASSEMBLY .....	128
10.0 SPECIFICATIONS .....	129
MODELS F425, F510 .....	129
MAINTENANCE RECORD .....	131

## 4.0 MANUFACTURER'S WARRANTY

4/2014

### MEYER FORMULA MIXER

- I. The "Owner's Registration Form" must be completed in full and promptly returned to Meyer Mfg. Corp. for this warranty to become both valid and effective. All warranties on New Meyer Mixers shall apply only to the original retail customer from an authorized Meyer Mfg. Corp. dealership.
- II. This warranty shall not apply to any Meyer Mixer which has been subjected to misuse, negligence, alteration, accident, incorrect operating procedures, has been used for an application not designed for or pre-authorized by Meyer in writing, has had the serial numbers altered, or which shall have been repaired with parts other than those obtained through Meyer Mfg. Corp. Meyer is not responsible for the following: Depreciation or damage caused by normal wear, lack of reasonable and proper maintenance, failure to follow the operator's manual recommendations or normal maintenance parts and service. Meyer is not responsible for rental of replacement equipment during warranty repairs, damage to a power unit (including but not limited to a truck or tractor), loss of earnings due to equipment down time, or damage to equipment while in transit to or from the factory or dealer.
- III. Meyer Mfg. Corp. warrants New Meyer Mixer to be free from defects in material and workmanship under recommended use and maintenance service, as stated in the operator's and parts manuals, as follows:
  - A. Meyer Mfg. Corp. will repair or replace F.O.B. Dorchester, WI, as Meyer Mfg. Corp. elects, any part of a new Meyer Mixer which is defective in material or workmanship:
    - i. Without charge for either parts or labor during the first (1) year from purchase date to the original retail customer.
  - B. In addition to the above basic warranty, Meyer Mfg. Corp. will repair or replace F.O.B. Dorchester, WI as Meyer Mfg. Corp. elects:
    - i. Any part of the following which is defective in material or workmanship (not neglect to recommended use and service) with a "pro-rated" charge for parts only (not labor) during the stated time period from date of purchase to the original retail customer. 1st year 100%, 2nd year 100%, 3rd year 50%, 4th year 25%, 5th year 10%
      - a. The Formula Mixer Planetary Gearbox. Meyer Part #'s 119-VM10-24.26-1
- IV. COMMERCIAL USE: Coverage as in paragraph III.A.i. only, except warranty coverage is for (90) days for parts and labor to the original commercial retail customer.
- V. Repairs eligible for labor warranty must be made by Meyer Mfg. Corp. or an authorized Meyer dealership. The original retail customer is responsible for any service call and/or transportation of the mixer to the dealership or the factory for warranty service.
- VI. Except as stated above, Meyer Mfg. Corp. shall not be liable for injuries or damages of any kind or nature, direct, consequential, or contingent, to persons or property. This warranty does not extend to loss of crop or for any other reasons.
- VII. No person is authorized to give any other warranties or to assume any other obligation on Meyer Mfg. Corp.'s behalf unless made or assumed in writing by Meyer Mfg. Corp. This warranty is the sole and exclusive warranty which is applicable in connection with the manufacture and sale of this product and Meyer Mfg. Corp.'s responsibility is limited accordingly.

#### Purchased Product Warranty:

This warranty does not apply to component parts not manufactured by Meyer such as but not limited to wheels, tires, tubes, PTO shafts, clutches, hydraulic cylinders, scales, tarps, etc.



## 5.0 SAFETY

Meyer Mfg. Corp. equipment is manufactured with operator safety in mind. Located on the equipment are various safety signs to aid in operation and warn of hazardous areas. Pay close attention to all safety signs on the equipment.

Carefully follow the operating and maintenance instructions in this manual and all applicable safety laws. Failure to follow all safety procedures may result in serious injury or death.

**Before attempting to operate this equipment, read and study the following safety information. In addition, make sure that every individual who operates or works with the equipment, whether family member or employee, is familiar with these safety precautions.**

Meyer Mfg. Corp. provides guards for exposed moving parts for the operator's protection; however, some areas cannot be guarded or shielded in order to assure proper operation. The operator's manual and safety signs on the equipment itself warn you of hazards and must be read and observed closely!



### Safety Alert Symbol

This symbol is used to call attention to instructions concerning personal safety. Be sure to observe and follow these instructions. Take time to be careful!

---



**DANGER**

The signal word **DANGER** on the machine and in the manual identifies a hazardous situation which, if not avoided, WILL result in death or serious injury.



**WARNING**

The signal word **WARNING** on the machine and in the manual indicates a potentially hazardous situation which, if not avoided, COULD result in death or serious injury.



**CAUTION**

The signal word **CAUTION** on the machine and in the manual indicates a potentially hazardous situation which, if not avoided, MAY result in minor or moderate injury. It may also be used to alert against unsafe practices.

**IMPORTANT**

This notice identifies procedures which must be followed to avoid damage to the machine.

Danger, Warning, Caution, and instructional decals and plates are placed on the equipment to protect anyone working on or around this equipment, as well as the components of the equipment. All personnel operating or maintaining this equipment must familiarize themselves with all Danger, Warning, Caution, and instructional decals and plates.

## 5.1 SAFETY PRECAUTIONS



**All individuals who will operate this equipment must read and completely understand this Operator's And Parts Manual. Operator must have instructions before operating the machine. Untrained operators can cause injury or death.**

- DO NOT allow anyone to operate, service, inspect or otherwise handle this equipment until all operators have read and understood all of the instructional materials in this Operator's And Parts Manual and have been properly trained in its intended usage.
- For an operator to be qualified, he or she must not use drugs or alcohol which impair alertness or coordination while working. An operator who is taking prescription drugs must get medical advice to determine if he or she can safely operate a machine and the equipment.
- Make sure all personnel can READ and UNDERSTAND all safety signs.
- DO NOT allow minors (children) or inexperienced persons to operate this equipment.
- DO NOT operate until all shields and guards are in place and securely fastened.
- DO NOT step up on any part of the equipment that is not designated as a ladder or viewing platform at any time.
- DO NOT adjust, clean or lubricate while the equipment is in motion.
- Inspect when first delivered and regularly thereafter; that all connections and bolts are tight and secure before operating.
- Know how to stop operation of the equipment before starting it!
- Make certain everyone is clear of the equipment before applying power.
- Keep hands, feet and clothing away from moving parts. Loose or floppy clothing should not be worn by the operator.
- Observe all applicable traffic laws when transporting on public roadways (where legal to do so). Check local laws for all highway lighting and marking requirements.
- Shut off and lock out power before adjusting, servicing, maintaining or clearing an obstruction from this machine. (See 5.3 SHUTOFF & LOCKOUT POWER on page 24.)
- Always enter curves or drive up or down hills at a low speed and at a gradual steering angle.
- Never allow riders on either tractor / truck or equipment.
- Keep tractor / truck in a lower gear at all times when traveling down steep grades.
- Stay away from overhead power lines. Electrocution can occur without direct contact.
- Use only properly rated undercarriage and tires.

### **Safety Precautions For Tractor Towed Units:**

- Do not exceed 20 mph (32 kph). Reduce speed on rough roads and surfaces.
- Always install a SMV emblem on pull-type equipment when transporting on roadways and keep clean and bright.
- Always yield to oncoming traffic in all situations and move to the side of the road so any following traffic may pass.

### **Safety Precautions For Truck Mounted Units:**

- Comply with state and local laws governing highway safety and movement of machinery on roadways.

### **Safety Precautions For Hydraulic System:**

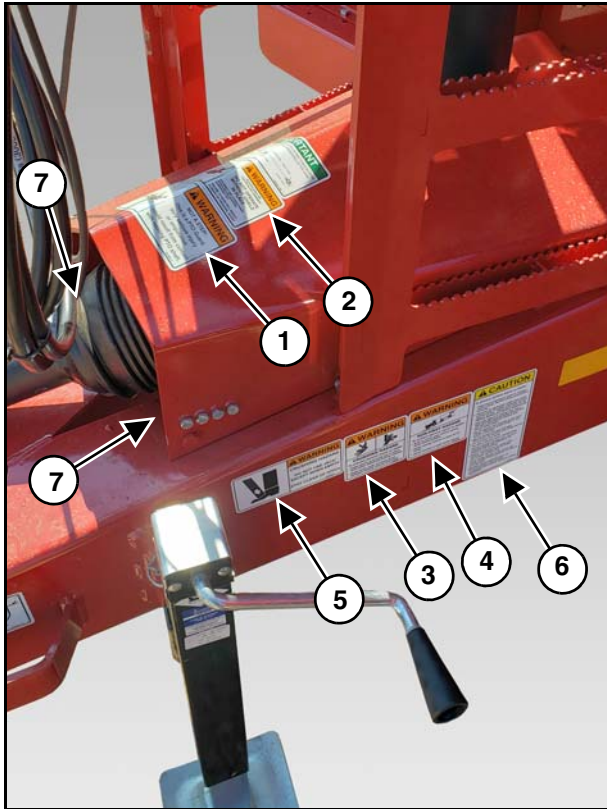
- Check hydraulic tubes, hoses and fittings for damage and leakage. Never use hands to check for leaks. Hydraulic tubes and hoses must be properly routed and have adequate support and secure clamps. Tighten or replace any parts that show leakage.
- Always clean fluid spills. Do not use gasoline or diesel fuel for cleaning parts. Use commercial nonflammable solvents.

## 5.2 SAFETY SIGNS



Read all safety signs on the equipment and in this manual. Keep all safety signs clean and replace any damaged or missing safety signs before operating the equipment. Do Not remove any safety signs. Safety signs are for operator protection and information.

FRONT OF MIXER



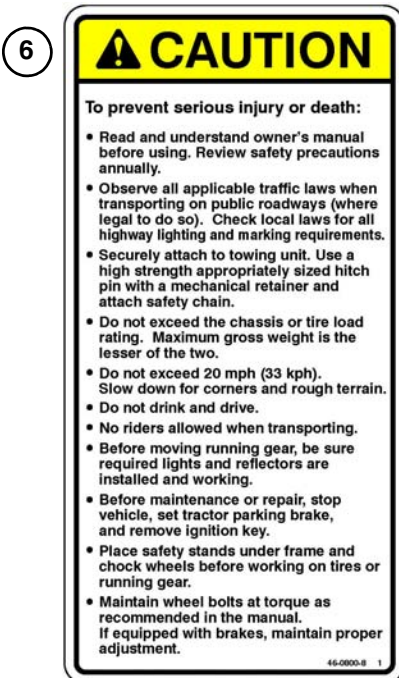
PART NO. 46-0004-2



PART NO. 46-3600-9



PART NO. 46-0800-6



PART NO. 46-0800-8



PART NO. 46-3600-6



PART NO. 46-3600-2

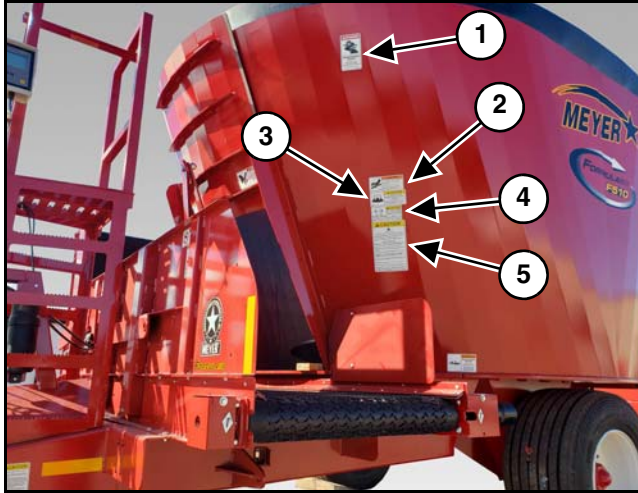
(Located on mixer frame underneath housing)



PART NO. 46-0800-7



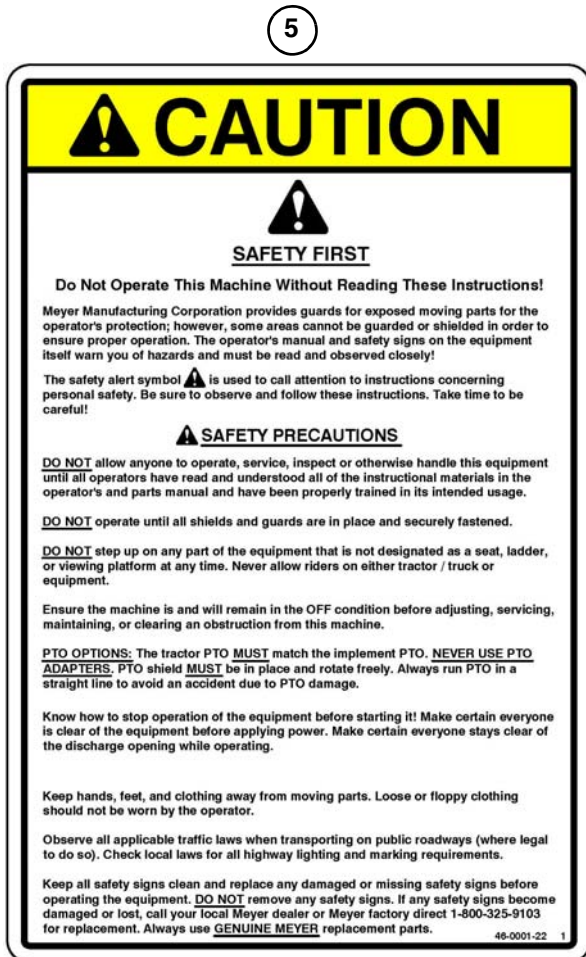
FRONT OF MIXER



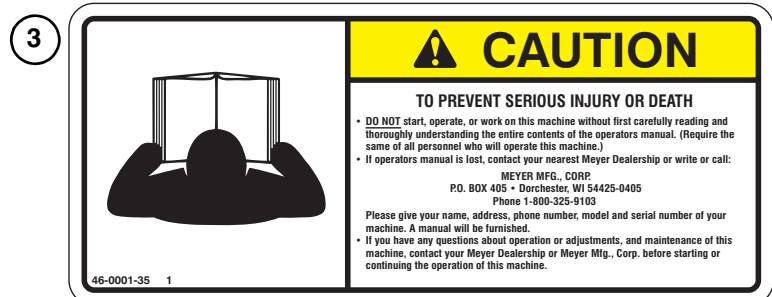
PART NO. 46-0001-213



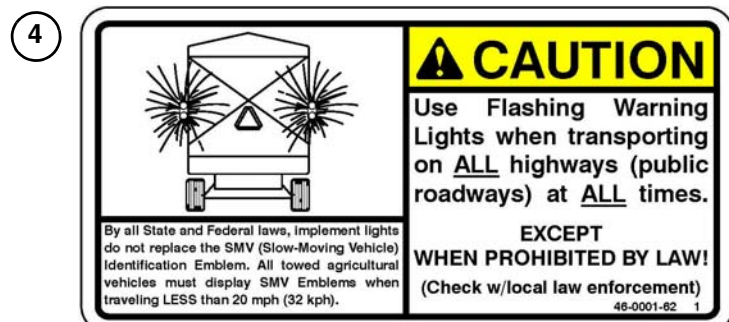
PART NO. 46-8500-7



PART NO. 46-0001-22



PART NO. 46-0001-35



PART NO. 46-0001-62

FRONT OF MIXER



1



PART NO. 46-0001-210

2



PART NO. 46-0001-205

UNDER MIXER

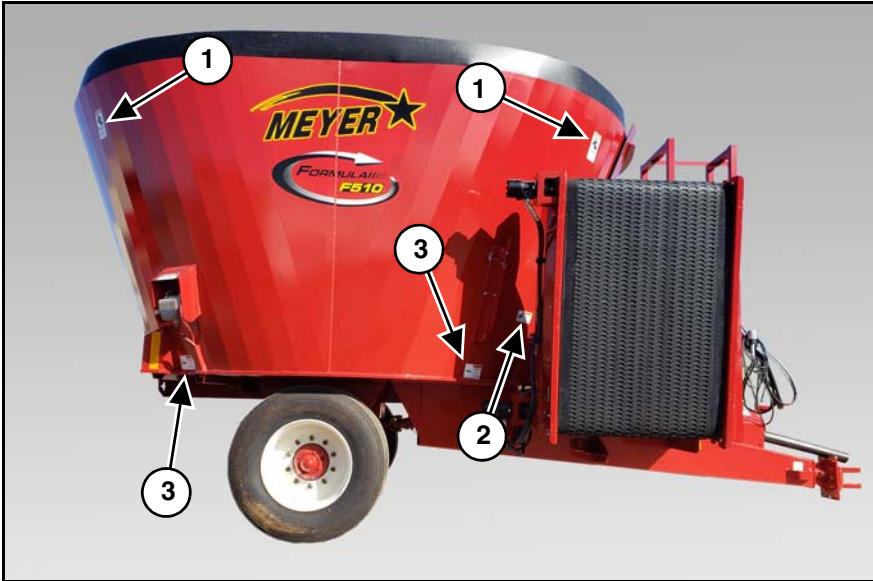


1



PART NO. 46-0001-212

RIGHT SIDE OF MIXER



1



PART NO. 46-0001-213

2



PART NO. 46-8500-7

3



PART NO. 46-0001-211



RIGHT SIDE OF MIXER



1



PART NO. 46-0001-210

2



PART NO. 46-0001-209

3



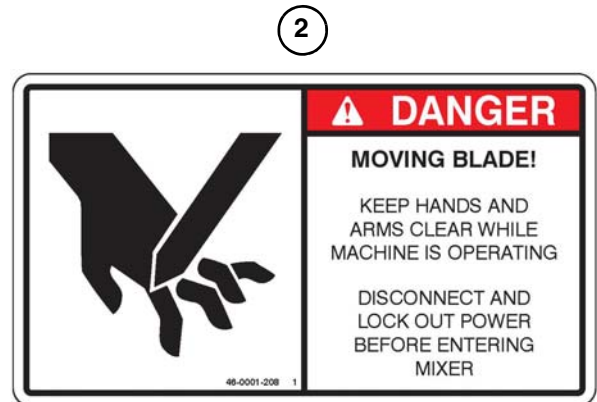
PART NO. 46-0001-205

**BACK OF MIXER**



**PART NO. 46-0001-213**

**REAR DOOR**



**PART NO. 46-0001-208**

LEFT SIDE OF MIXER



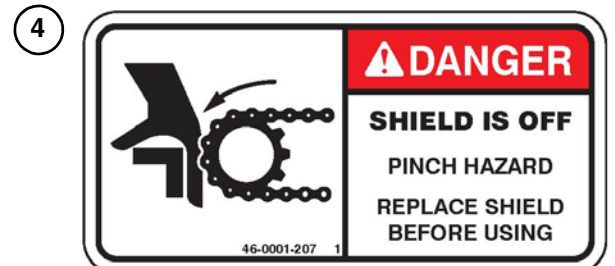
PART NO. 46-0001-209



PART NO. 46-0001-211



PART NO. 46-0001-4



PART NO. 46-0001-207  
(Located under shield)

3



PART NO. 46-0001-210

5



PART NO. 46-0001-208

## 5.3 SHUTOFF & LOCKOUT POWER

Any individual that will be adjusting, servicing, maintaining, or clearing an obstruction from this machine needs to ensure that this machine stays safely “OFF” until the adjustment, service, or maintenance has been completed, or when the obstruction has been cleared, and that all guards, shields, and covers have been restored to their original position. The safety of all individuals working on or around this machine, including family members, are affected. The following procedure will be referred to throughout this manual, so be familiar with the following steps.

### 5.3.1 Shutoff & Lockout Power Recommendations

#### 1. Think, Plan and Check

- a. **Think** through the entire procedure and identify all the steps that are required.
- b. **Plan** what personnel will be involved, what needs to be shut down, what guards / shields need to be removed, and how the equipment will be restarted.
- c. **Check** the machine over to verify all power sources and stored energy have been identified including engines, hydraulic and pneumatic systems, springs and accumulators, and suspended loads.

2. **Communicate** - Let everyone involved, including those working on or around this machine, that work is being done which involves keeping this machine safely “OFF”.

#### 3. Power Sources

- a. **LOCKOUT** - Shut off engines and take the key, or physically lock the start/on switch or control. Disconnect any power sources which are meant to be disconnected (i.e. electrical, hydraulic, and PTO of pull-type units).
- b. **TAGOUT** - Place a tag on the machine noting the reason for the power source being tagged out and what work is being done. This is particularly important if the power source is not within your sight and/or will need to be isolated for a longer period of time.

4. **Stored Energy** - Neutralize all stored energy from its power source. Ensure that this machine is level, set the parking brake, and chock the wheels. Disconnect electricity, block moveable parts, release or block spring energy, release pressure from hydraulic and pneumatic lines, and lower suspended parts to a resting position.

5. **Test** - Do a complete test and personally double check all of the above steps to verify that all of the power sources are actually disconnected and locked out.

6. **Restore Power** - When the work has been completed, follow the same basic procedures, ensuring that all individuals working on or around this machine are safely clear of the machine before locks and tags are removed and power is restored.

**IMPORTANT**

It is important that everyone who works on this equipment is properly trained to help ensure that they are familiar with this procedure and that they follow the steps outlined above. This manual will remind you when to Shutoff & Lockout Power.



## 6.0 PRE-OPERATION



### CAUTION

DO NOT allow anyone to operate, service, inspect or otherwise handle this equipment until all operators have read and understand all of the instructional materials in this Operator's And Parts Manual and have been properly trained in its intended usage.

Verify that the equipment is securely fastened to the tractor.

Verify that all electrical / hydraulic connections and bolts / hardware are tight and securely fastened before operating the equipment.

Always keep all shields and guards in place and securely fastened.

Keep hands, feet and clothing away.

Wear safety glasses to prevent eye injury when any of the following conditions exist:

- When fluids are under pressure.
- Flying debris or loose material is present.
- Tools are being used.

## 6.1 STATIC INSPECTION



### WARNING

Hydraulic fluid escaping under pressure can have sufficient force to cause injury. Keep all hoses and connections in good serviceable condition. Failure to heed could result in serious personal injury or death.

Keep all electrical cords and cables in good serviceable condition. Failure to heed could result in serious personal injury or death.

### IMPORTANT

Check that all gear cases and oil bath enclosures contain oil and that bearings and joints have been greased. (See maintenance section).

Before operating the mixer for the first time and each time thereafter, check the following items:


1. Check that all safety signs are in good and legible condition.
2. Inspect the mixer for proper adjustments. (See 8.2 ADJUSTMENTS)
3. Check that all lubrication has been completed. (See 8.1 LUBRICATION)
4. Make sure that all guards and shields are in place, secured and functioning as designed.
5. Check condition of all hydraulic components for leaks and electrical cords and cables for wear. Repair or replace as required.
6. Check the planetary gearbox reservoir for proper oil level. (See 8.1 LUBRICATION)
7. Check for and remove any foreign objects in the mixing chamber and discharge opening.
8. Be sure that there are no tools laying on or in the mixer.
9. Verify that all electrical and hydraulic connections are tight and secure before operating.

10. Check that all hardware is in place and is tight.
11. Watch for any worn or cracked welds. If found, have qualified personnel repair immediately or replacement is necessary.
12. Check all bearings. Replace as needed.
13. Inspect any wear items. i.e.: Knives, scrapers, kicker wear plate. Replace as required.
14. Inspect the tires for excessive wear or damage and inflate to the recommended pressure. (See 8.3 WHEELS AND TIRES)
15. Inspect the condition of axles, spindles, and safety lighting. Repair or replace as required.

## 6.2 LIGHT HOOK-UP

**NOTE: The lighting system provided is intended for being transported by an agricultural tractor.**

Ensure that lights and indicators are clean and in good working order. When attaching to a towing vehicle other than a tractor always check lighting for proper operation as wiring may vary. Connect to the standardized 7-pin socket located at the back of the tractor.

Color	Function	SAE Terminal	SAE Connector
Red	Ground	1	
	Not Used	2	
Yellow	Left Turn & Hazard	3	
	Not Used	4	
Green	Right Turn & Hazard	5	
Brown	Tail Lights	6	
	Auxiliary Power	7	

**NOTE: The brake wire should only be connected to the #4 terminal if the #4 terminal on the tractor is confirmed to be a brake light terminal. If the tractor does not have a brake light terminal, cap / seal off the end of the brake wire of the implement (secure to other wires).**

## 6.3 HYDRAULIC HOOK-UP

**Pull Type:** Requires 25 GPM @ 3000 PSI.

Call the factory if additional information is needed.

**IMPORTANT**

**Do not exceed maximum PSI or a motor failure could result.**

**WARNING**

**Hydraulic fluid escaping under pressure can have sufficient force to cause injury. Keep all hoses and connections in good serviceable condition. Failure to heed could result in serious personal injury or death.**

## 6.4 PTO DRIVELINE



**CAUTION**

Shutoff and lockout power before performing machine service, adjusting, maintaining, or clearing an obstruction from this machine. (See 5.3 SHUTOFF & LOCKOUT POWER on page 24.)



**DANGER**

Do not operate without PTO guard on implement and tractor. Maintain PTO drive shaft guard tubes in good operating condition. Replace them if damaged and not turning freely. Failure to heed may result in serious personal injury or death.

The tractor half of the PTO drive shaft assembly must be locked securely to the tractor output shaft and the implement half of the PTO drive shaft assembly must be locked securely to the mixer drive line.

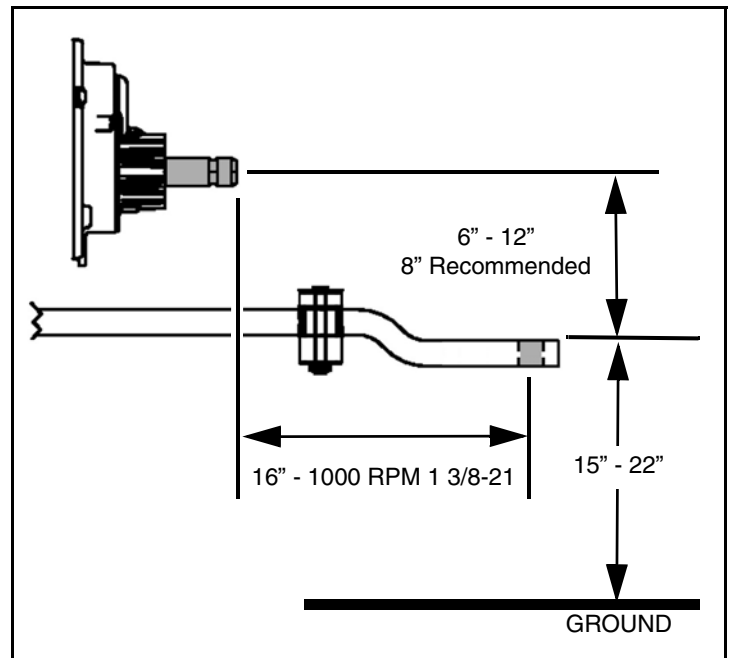
See your PTO Installation, Service, and Safety Instruction Manual for additional PTO details. Call the factory for a replacement manual at 1-800-325-9103.

See your ADMA Safety Manual for further safety situations and precautions that you should familiarize yourself and those that may be operating this equipment. Call the factory for a replacement manual at 1-800-325-9103.

### 6.4.1 Tractor Drawbar Setup

Do not operate 1000 RPM implements at 540 RPM.

Set your tractor drawbar to conform to the standard dimensions as shown. An improperly located hitch point may cause damage to the universal joints of the PTO drive shaft. This will ensure that the PTO drive shaft will not be over extended.



## 6.5 HITCHING TO TRACTOR

Before hitching to the tractor, make sure that there is sufficient ballast on the front axle of the tractor.

Depending on conditions, the ballast weight needs to be adjusted to optimize tractor drive. The front axle load must never, under any circumstances, be less than 20% of the tractor's unladen weight.

Move to the operator's position, start the engine and release the parking brake.



**WARNING**

**Do not allow anyone to stand between the tongue or hitch and the tractor when backing up to the equipment.**

Move the tractor in front of the mixer. Slowly move the tractor backwards towards the mixer and align the drawbar with the implement's hitch.



**WARNING**

**Keep hands, legs and feet from under tongue and hitch until jack is locked into place.**

**NOTE: Lower or raise the mixer jack to properly align the drawbar and hitch.**

Fasten the mixer hitch to the tractor drawbar with a properly sized hitch pin with safety retainer. (Reference ANSI/ASABE AD6489-3 Agricultural vehicles - Mechanical connections between towed and towing vehicles - Part 3: Tractor drawbar.)

Connect the tractor half of the PTO drive shaft assembly. The PTO must be locked securely to the tractor output shaft and the implement half of the PTO drive shaft assembly must be locked securely to the mixer drive line.

Before operation and after hitching the tractor to the implement, connect the hydraulic hoses (if applicable) and light cord to the tractor. Place the jack into the storage position. (See 6.5.1 Jack Storage on page 29.)

### 6.5.1 Jack Storage



Keep hands, legs and feet from under tongue and hitch until jack is locked into place.

After hitching the mixer to the tractor.

Using the handle, raise the jack off the ground and remove the pin. Move the jack (Item 1) to the storage mount on the left hand rear side of the mixing tub. Reinstall the pin (Item 2) to lock the jack into the transport position.

**NOTE: Keeping the jack stored in proper position will keep it from getting damaged during transportation.**



## 6.6 START-UP AND SHUT-DOWN

---



### CAUTION

Shutoff and lockout power before performing machine service, adjusting, maintaining, or clearing an obstruction from this machine. (See 5.3 SHUTOFF & LOCKOUT POWER on page 24.)

DO NOT allow anyone to operate, service, inspect or otherwise handle this equipment until all operators have read and understand all of the instructional materials in this Operator's And Parts Manual and have been properly trained in its intended usage.

Before operating the equipment, look in all directions and make sure no bystanders, especially small children are in the work area.



### WARNING

Always keep all shields and guards in place and securely fastened. Keep hands, feet and clothing away.

---

#### 6.6.1 Start-Up

Be sure there is no one inside the mixer and that the mixer is empty.

Enter the tractor and start the engine.

Set the parking brake.

Check to see that the discharge door is closed.

Slowly engage the PTO and operate at idle speed.

Bring PTO RPM up to its rated RPM.

#### 6.6.2 Shut-Down

Disengage the PTO.

Turn off conveyor, if equipped.

Fully lower all doors.

Raise slide trays or conveyors, if equipped.

Park the mixer on a flat, level surface.

Engage the parking brake, stop the engine and exit the tractor.

## 6.7 OPERATIONAL CHECKS

---



### CAUTION

Shutoff and lockout power before performing machine service, adjusting, maintaining, or clearing an obstruction from this machine. (See 5.3 SHUTOFF & LOCKOUT POWER on page 24.)

**DO NOT** allow anyone to operate, service, inspect or otherwise handle this mixer until all operators have read and understand all of the instructional materials in this Operator's And Parts Manual and have been properly trained in its intended usage.

Before operating the mixer, look in all directions and make sure no bystanders, especially small children are in the work area.

---



### WARNING

Always keep all shields and guards in place and securely fastened. Keep hands, feet and clothing away.

Hydraulic fluid escaping under pressure can have sufficient force to cause injury. Keep all hoses and connections in good serviceable condition. Failure to heed could result in serious personal injury or death.

Before running material through the mixer for the first time and each time thereafter, follow the steps listed below.

1. Follow the Start-Up procedure section 6.6.1 Start-Up.
2. Raise and lower the door several times.
3. Lower and raise mixer slide trays or conveyors, if equipped.
4. Operate the mixer augers for approximately 5-10 minutes.
5. Follow the Shut-Down procedure section 6.6.2 Shut-Down.
6. Check drive components to be sure components are not abnormally hot.
7. Check all hydraulic components for leaks.
8. Adjust and lubricate equipment as needed. (See 8.1 LUBRICATION) & (See 8.2 ADJUSTMENTS).

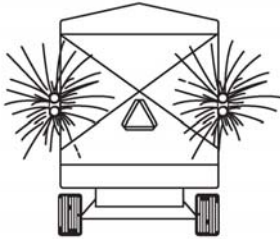
## 6.8 TRANSPORTING

### CAUTION

#### AVOID SERIOUS INJURY OR DEATH

- Read and understand owner's manual before using. Review safety precautions annually.
- Before operating the mixer, look in all directions and make sure no bystanders, especially small children are in the work area.
- No riders allowed when transporting.
- Do not drink and drive.
- Before moving, be sure required lights and reflectors are installed and working.
- Before maintenance or repair, stop vehicle, set parking brake, and remove ignition key.
- Place safety stands under frame and chock wheels before working on tires or chassis.
- Maintain wheel bolts at torque as recommended in the manual.
- If equipped with brakes, maintain proper adjustment.

### CAUTION



#### Pull-Type Units

- You must observe all applicable traffic laws when transporting on public roadways. Check local laws for all highway lighting and marking requirements.
- Use flashing warning lights when transporting on ALL highways (public roadways) at ALL times (Tractor towed models) EXCEPT WHEN PROHIBITED BY LAW! (Check w/local law enforcement).
- By all state and federal laws, implement lights do not replace the SMV (Slow-Moving Vehicle) identification emblem. All towed agricultural vehicles must display SMV emblems when traveling LESS than 25 mph (32 kph).
- Check for traffic constantly. Be sure you can see that no one is attempting to pass you and that all traffic is sufficiently clear from you before making any turns.
- Securely attach to towing unit. Use a high strength appropriately sized hitch pin with mechanical retainer and attach safety chain.
- Do not exceed 20 mph (32 kph). Slow down for corners and rough terrain.

### WARNING



#### To Prevent Serious Injury Or Death

- Keep hands and body out of the hitch area when attaching towing vehicle.
- Keep body clear of crush point between towing vehicle and load.
- Keep hands, legs and feet from under tongue and hitch until jack is locked into place.



## **WARNING**



### To Prevent Serious Injury Or Death

- Shift to lower gear before going down steep grades.
- Avoid traveling on slopes or hills that are unsafe.
- Keep towing vehicle in gear at all times.
- Never exceed a safe travel speed (which may be less than 20 MPH.).
- Check that the braking and lighting systems are in good condition. Be sure that the tractor has adequate brakes to stop the loaded mixer.

## **IMPORTANT**

If you will travel on public roads and it is legal to do so, you must know all rules governing such operation. This will include lighting and brake requirements in addition to traffic rules.

**NOTE:** For Truck Mounted models, an Optional Highway Lighting Package is available to assist in meeting these requirements. See your Meyer Dealer for Details.

### 6.8.1 Safety Chain

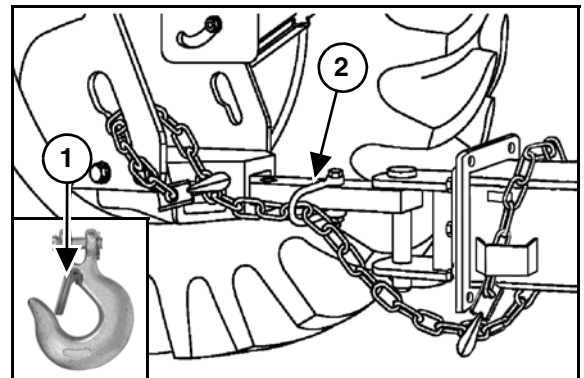
## **WARNING**

A safety chain must be installed to retain the connection between the tractor (or other towing vehicle) and implement whenever traveling on public roads in case the hitch connection would separate.

The chain must be of adequate size to hold the weight of the loaded mixer.

**NOTE:** If using a grab hook at the end(s) of the chain to secure the chain to itself, a hook latch (Item 1) must be installed.

The length of the safety chain is not to be longer than necessary to turn without interference. If any chain links or attachment hardware are broken or stretched, repair before using. Store chain so it does not corrode or become damaged. Do not use this chain for other implements because the strength and length of the chain may not be adequate. Identify this chain for use on this particular mixer.



**NOTE:** Do not use the intermediate support (Item 2) as the attaching point.

## **IMPORTANT**

If you do not have a safety chain, or a replacement safety chain is needed, see your local Meyer dealer who will supply you with the proper chain for your application. Do not operate on public roads until you are able to travel with the safety chain properly installed.

### 6.8.2 Brake Information

Check that the braking and lighting systems are in good condition. Be sure that the tractor has adequate brakes to stop the mixer.

See your tractor / chassis manual for brake and braking Information.

### 6.8.3 Tractor Towing Size Requirements

Use the following charts to help calculate the minimum tractor weight when towing without implement brakes. The minimum tractor weight, up to 20 mph (33 kph) needs to be 2/3's of the box Gross Weight (GW). Gross Weight is calculated by the empty weight of the box and undercarriage combined added to the Load Weight. Then take the Gross Weight and multiply it by 0.667 and you will get the Minimum Required Weight of the Tractor. A tractor with this recommended weight for your machine is normally adequate for towing the loaded machine under average conditions. Unit weight will vary depending on door and option selected.

#### Gross Weight

MIXER WEIGHT, EMPTY (LBS)		UNDERCARRIAGE WEIGHT (LBS)		LOAD (LBS)		GROSS WEIGHT (GW) (LBS)
	+		+		=	GW
	+		+		=	
	+		+		=	
	+		+		=	

#### Minimum Required Weight of the Tractor

2/3		GROSS WEIGHT (GW) (LBS)		MINIMUM TRACTOR WEIGHT (LBS)
0.667	x	GW	=	TW
	x		=	

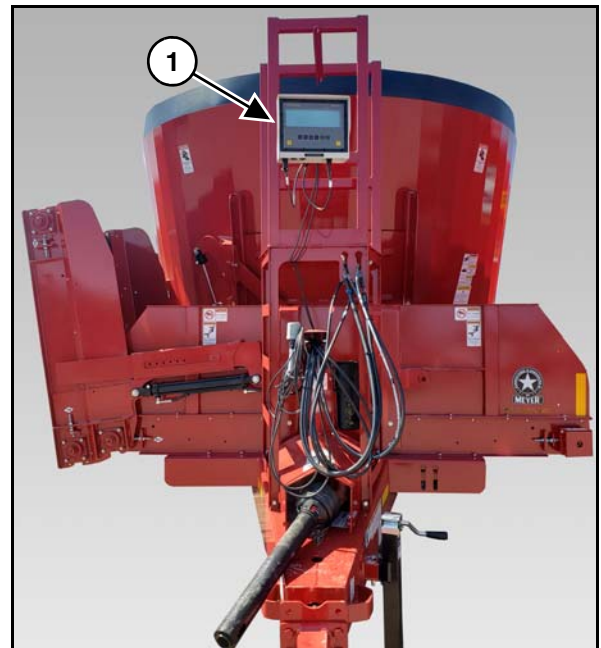
## 6.9 OPTIONAL EQUIPMENT

### Digital Scale Indicator

Refer to scale indicator (Item 1) manufacturer's operator manual for operation and maintenance.

**NOTE: Some scale drift may occur after the scale is turned on but should level out within 10 to 15 minutes. Temperature changes may also cause some drifting.**

See your Digi-Star manual for additional scale information.



## 7.0 OPERATION



### CAUTION

**DO NOT** allow anyone to operate, service, inspect or otherwise handle this mixer until all operators have read and understand all of the instructional materials in this Operator's And Parts Manual and have been properly trained in its intended usage.

Before operating the mixer, look in all directions and make sure no bystanders, especially small children are in the work area.

Do not climb or step onto the platform or ladder before the parking brake has been applied.

Turn on level ground. Slow down when turning.

Go up and down slopes, not across them.

Keep the heavy end of the machine uphill.

Do not overload the machine.

Check for adequate traction.



### 7.1 GENERAL

The mixer is designed for blending dairy and beef rations. The mixer performance can vary according to the difference in material, loading sequence, mixing speed and unloading methods. The following guidelines should be understood before operating the mixer.

A new mixer will need an initial run-in period to polish the augers and mixer sides to achieve correct material movement inside the mixer. Until the unit is polished inside the user may experience material spillage, dead spots, or increased horsepower requirements. The load size may need to be reduced until the unit is polished inside.

### IMPORTANT

**Always operate at the rated PTO speed but DO NOT EXCEED THE RATED PTO SPEED.** If the mixer is operated faster than the rated PTO speed the strain on the drive train and mixer is greatly increased.

### IMPORTANT

Do not force hay into the auger with loader or any other device.

### IMPORTANT

Be aware of the overall size of the mixer to allow clearance through doorways.

### IMPORTANT

If any component fails, shut off all power to the mixer and move the mixer to a safe work area. Repair or replace damaged components before proceeding with unloading of the mix.

### 7.1.1 Material



## WARNING

Never hand feed material into mixer while it is running. Augers may cut or grab hands, clothing, or material being loaded, causing severe injury. Always stop the tractor's engine before hand loading materials.

Some feed materials will need to be processed alone in the mixer before they can be efficiently mixed with other feed materials.

- Large square or round bales of alfalfa
- Large square or round bales of high moisture content
- Large square or round bales of long mixed grasses, wheat or oat hay and crop residue bales (straw or soybean stubble)
- Very light and bulky feed material

**NOTE:** Always remove any twine, net, or plastic wrap from bales before loading into mixer.

### 7.1.2 Shear Bolt PTO, Primary (F425/F510)

The primary driveline on the F425/F510 has a shear bolt design. When the torque reaches its maximum load, the shear bolt will shear to protect the system. Replace the 3/8"-16 x 1" grade 5 shear bolt and 3/8-16 locknut to reset the PTO.

## 7.2 LOADING



## DANGER

**DO NOT ENTER MIXER CHAMBER WHILE MIXER IS RUNNING!** Shut off and lock out power before attempting to clear an obstruction or to perform work inside the mixing chamber. (See 5.3 SHUTOFF & LOCKOUT POWER on page 24.)



## WARNING

Be aware of power lines and other overhead obstructions when loading with a telescopic arm or loader. Failure to obey warnings could cause serious injury or death.



## CAUTION

Comply with the safety instructions stipulated in the User Manuals for the operation / handling equipment used for loading the mixer.

Shutoff and lockout power before performing machine service, adjusting, maintaining, or clearing an obstruction from this machine. Refer to section 5.3 SHUTOFF & LOCKOUT POWER.

Do not climb or step onto the platform or ladder before the parking brake has been applied.

## IMPORTANT

Overloading may cause failure of axles, tires, structural members, hitches, loss of vehicle control. **DO NOT** exceed maximum gross weight. (See 10.0 SPECIFICATIONS on page 129.)

**NOTE: Overloading can have detrimental effects on the integrity of the implement and its safe use. Overloading will void warranty and increase risk to the operator's safety. Always be aware of your gross weight.**

MAXIMUM FORMULA MIXER GROSS WEIGHT	
MODEL	LBS
F425	
F510	

MATERIAL ESTIMATED WEIGHT PER CUBIC FOOT	
MATERIAL	LBS / CU.FT.
Soybeans	47 lbs.
Cotton Seed (Dry)	20 lbs.
Corn (Shelled)	45 lbs.
Corn Silage	30 lbs.
Haylage	20 lbs.

**NOTE: Maximum Gross Weight is the lesser value between the implement, chassis, or tires.**

When loading material into the mixer with an end-loader, dump the material into the center of the mixer.

1. Be sure that mixer is parked on a level surface.
2. The tractor should be straight in line with the mixer.
3. Completely close the mixer discharge door(s).
4. Set hay stops according to the instructions in this manual.
5. Enter the tractor and start the engine.
6. Engage the PTO / hydraulics.
7. Set the tractor engine to operate at approximately 3/4 of rated PTO speed.
8. Load baled hay into the center of the mixer.
9. Allow mixer enough time to process the bale before adding other ingredients (4-10 minutes).

**NOTE: Processing of long stem forages will continue as other materials are added and mixed. Be careful not to over process these materials before adding other ingredients.**



When loading from a raised bay or platform, adopt the necessary measures (safety rails, etc.) to avoid people or equipment from falling into the machine.

### 7.2.1 Loading Steps

**NOTE:** The loading sequence could vary.

The following is an example of a typical loading sequence:

1. Load and process long stemmed materials.
2. Load haylage and corn silage.
3. Load minerals, proteins, and other small quantity ingredients.
4. Load grains, wet and dry commodities, etc.
5. Load all liquid fats, water, other liquids. Always load liquids at the center of the mixing chamber.

**IMPORTANT**

Load all ingredients as quickly as possible. Allow a final mix time of 3-7 minutes, or whenever the load looks consistently mixed.

**IMPORTANT**

Never load long stem bales last. They will not be processed or mixed into the ration and may cause unloading difficulties or spillage.

### 7.3 MIXING

Normal mixing speed is 3/4 to full PTO speed. Time available to mix, thoroughness of the mix, and ingredients are all factors that must be considered when deciding on when and how fast to operate the mixer.



**DANGER**

**DO NOT ENTER MIXER CHAMBER WHILE MIXER IS RUNNING!** Shut off and lock out power before attempting to clear an obstruction or to perform work inside the mixing chamber. (See 5.3 SHUTOFF & LOCKOUT POWER on page 24.)

**IMPORTANT**

Always operate at the rated PTO speed but **DO NOT EXCEED THE RATED PTO SPEED.** If the mixer is operated faster than the rated PTO speed the strain on the drive train and mixer is greatly increased.

**IMPORTANT**

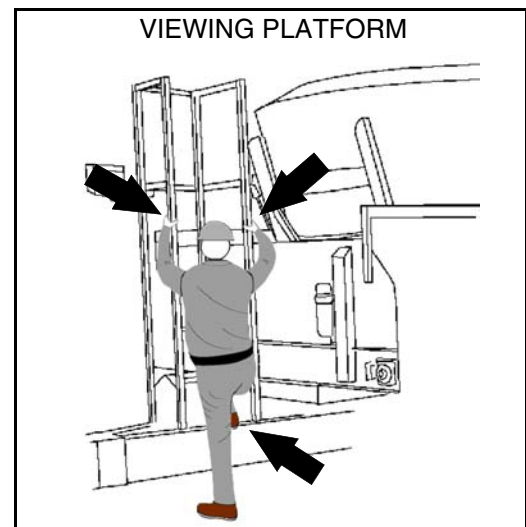
Do not force hay into the auger with loader or any other device.

### 7.4 PLATFORM OPERATION

Park the tractor on a flat, level surface.

Engage the parking brake.

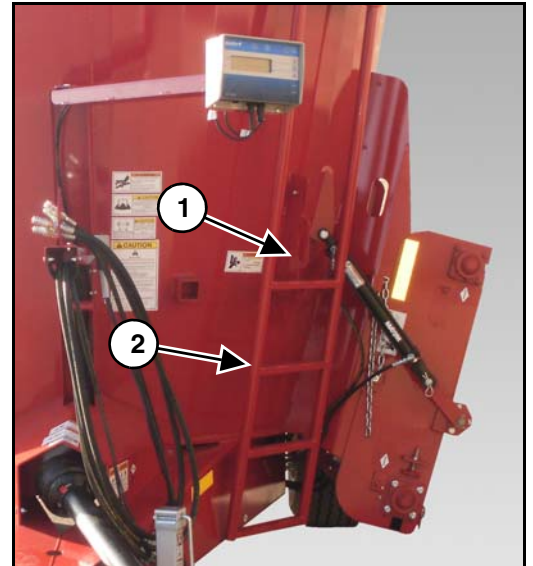
**NOTE:** Always maintain a three-point contact at all times when getting on and off the ladder. Use the ladder rails and steps when climbing the ladder.





## 7.5 FOLDING LADDER

To unfold the ladder, release latch (Item 1) and pull ladder fully out (Item 2). To return ladder to storage position, pull ladder out to “unlock” it and guide the ladder support back up to its original position. Replace latch.



## 7.6 UNLOADING



Shutoff and lockout power before performing machine service, adjusting, maintaining, or clearing an obstruction from this machine. (See 5.3 SHUTOFF & LOCKOUT POWER on page 24.)



**DO NOT ENTER MIXER CHAMBER WHILE MIXER IS RUNNING!** Shut off and lock out power before attempting to clear an obstruction or to perform work inside the mixing chamber. (See 5.3 SHUTOFF & LOCKOUT POWER on page 24.)

**NOTE:** Unload the mixed ration within a short time of mixing. A fully loaded mixer which is bounced over rough terrain or allowed to settle will require more horsepower during start-up.

1. Enter the tractor, start the engine, release the parking brake.
2. Move the tractor and mixer to the unloading area.
3. Be sure that mixer is parked on a level surface.
4. The tractor should be straight in line with the mixer.
5. Shift hydraulic sliding base discharge into working position, or lower slide tray / incline extension / chain and slat (if equipped).
6. Engage the PTO.
7. Set the tractor engine to operate at approximately 1/2 of rated PTO speed.
8. Open discharge door slowly to adjust the amount of material to be discharged. Adjust door height or conveyor speed for desired flow of feed.
9. After the load begins to discharge, increase the tractor RPM to full rated PTO speed to ensure fast and thorough clean out while driving forward along the discharge path.
10. When finished unloading, reduce engine speed to idle and disengage the PTO / hydraulics.
11. Move the mixer forward, away from the unloaded material.
12. Close the discharge door.
13. Shift hydraulic sliding base discharge into storage position, or raise slide tray / incline extension / chain and slat (if equipped).

14. Park the mixer on a flat, level surface.
15. Engage the parking brake, stop the engine and exit the tractor.
16. Disconnect the driveline.

## 7.7 UNHOOKING THE TRACTOR



# WARNING

**Keep hands, legs and feet from under tongue and hitch until jack is locked into place.**

1. Park the implement on level ground. Put the tractor controls in neutral, set the parking brake, and turn the engine off before dismounting.
2. Place wheel chocks in front and in back of the implement wheels on opposite sides to prevent the implement from rolling after the tractor is unhooked.
3. Remove the hydraulic hose ends from the tractor hydraulic ports and secure the hose ends in the key slot holes on the front of the mixer to keep them clean.
4. Remove the light cords and any optional equipment connections.
5. Remove the jack from the storage mount and reinstall the jack to the mount. Crank the jack down until the hitch lifts off the tractor draw bar.
6. Remove the hitch pin.
7. Unhook safety chain from tractor drawbar and intermediate support.
8. Slowly drive the tractor away from the implement.



## 7.8 HAY STOP ADJUSTMENT



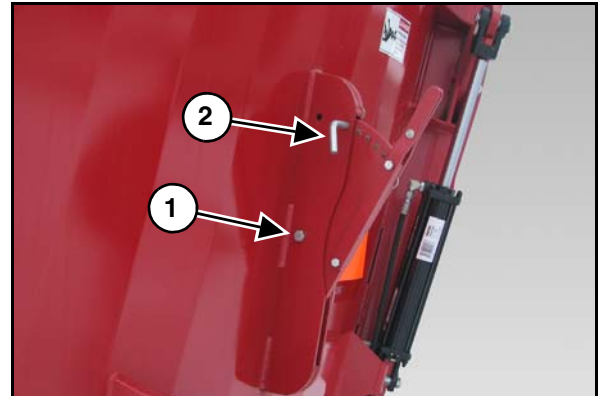
Do not adjust the hay stops while the mixer is running. Moving feed inside the mixer can make the hay stop move suddenly causing injury to the person making the adjustment.



Never operate the mixer without the hay stop lock bolt installed.

### 7.8.1 Hay Stop Lock Bolt

The hay stop lock bolt (Item 1) prevents the hay stop from rotating past the intended range of operation. If the hay stop bolt and the positioning pin (Item 2) are removed, the hay stop could contact the moving auger and cause damage to the hay stop and auger.



Position	Setting	Material
A	High	Light and bulky material (dry grasses)
B	Medium High	Alfalfa bales and other forages
C	Neutral	Unrestrained movement of feed
D	Medium Low	Heavier rations
E	Low	Aggressive cutting

Hay Stop Position A



Hay Stop Position B



Hay Stop Position C



Hay Stop Position D



Hay Stop Position E



## 7.9 MIXER TROUBLESHOOTING GUIDE

PROBLEM	POSSIBLE SOLUTIONS
Forage is cut too short	<ul style="list-style-type: none"> <li>• Reduce the initial processing time.</li> <li>• Adjust hay stops to a less aggressive or neutral position.</li> <li>• Reduce total loading time.</li> <li>• Reduce the mixer RPM to limit aggressiveness in processing.</li> <li>• Modify the knife type, quantity, setting or placement.</li> </ul>
Spillage is Occurring	<ul style="list-style-type: none"> <li>• Reduce load size.</li> <li>• Reduce tractor and/or mixer RPM.</li> <li>• Make sure machine is level.</li> <li>• The load size may need to be reduced until the unit is polished inside.</li> <li>• Adjust hay stops to a less aggressive or neutral position.</li> <li>• Adjust knives to a less aggressive position.</li> <li>• If spillage still occurs, the optional side extensions or hay retention ring may need to be installed.</li> </ul>
Requiring High Horsepower	<ul style="list-style-type: none"> <li>• Reduce load size.</li> <li>• Adjust hay stops to a less aggressive or neutral position.</li> <li>• The load size may need to be reduced until the unit is polished inside.</li> <li>• Modify the knife type, quantity, setting, or placement.</li> </ul>
Dead Spots	<ul style="list-style-type: none"> <li>• The load size may need to be reduced until the unit is polished inside.</li> <li>• The auger scraper may need to be adjusted. (See the Adjustments Section.)</li> </ul>
Digital Scale Indicator	<ul style="list-style-type: none"> <li>• Refer to scale manufacturer's operator manual for operation and maintenance.</li> <li>• Some scale drift may occur after the scale is turned on but should level out within 10 to 15 minutes.</li> <li>• Temperature changes may also cause some drifting.</li> </ul>
Planetary Reservoir is Overflowing	<ul style="list-style-type: none"> <li>• Check oil level when cold.</li> <li>• Clean breather.</li> <li>• Make sure hoses are not kinked or clogged.</li> <li>• Change oil.</li> </ul>

## 8.0 MAINTENANCE

### 8.1 LUBRICATION



**CAUTION**

Shutoff and lockout power before performing machine service, adjusting, maintaining, or clearing an obstruction from this machine. (See 5.3 SHUTOFF & LOCKOUT POWER on page 24.)

**IMPORTANT**

Fluid such as hydraulic fluid, grease, etc. must be disposed of in an environmentally safe manner. Some regulations require that certain spills and leaks on the ground must be cleaned in a specific manner. See local, state and federal regulations for the correct disposal.

**NOTE:** When welding do not allow electrical current to flow through bearings, roller chains, or scale weigh bars. Ground the welder directly to the part being welded. Always disconnect the power cord from scale indicator before welding.

**NOTE:** Use a grease type that is composed of a high quality lithium complex or better, unless otherwise stated. We recommend using a #1 grade in colder temperatures or a #2 grade in warmer temperatures.

**NOTE:** Over lubrication is a major cause of bearing failures. Please relubricate conservatively when unsure of bearing requirements.

#### 8.1.1.1 Daily

**NOTE:** See Specifications, Page 49 for proper oil type and capacities.

Check the planetary gearbox oil level daily to prevent abnormal component wear. Add new oil to the reservoir tank (Item 1) if the oil level is not at the oil reservoir mark.

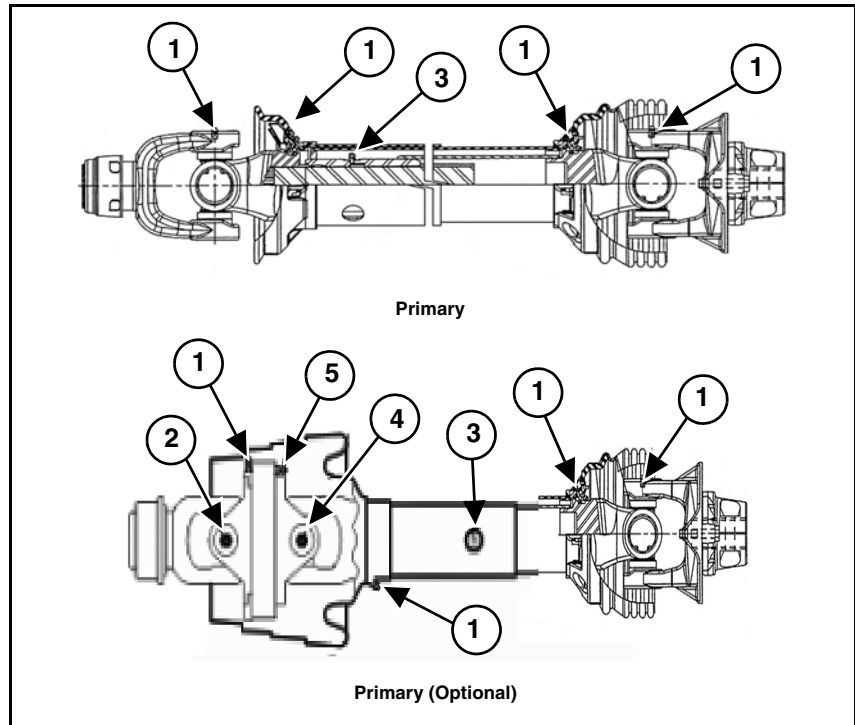
Check for any oil leaks. If leaks occur, correct the source of the leak.



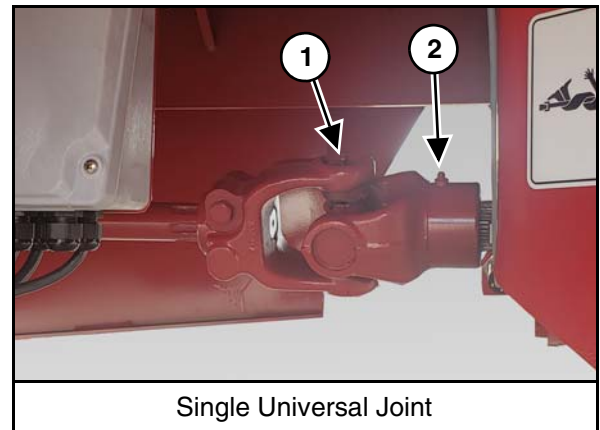
### 8.1.1.2 Every 8 hours:

Grease all PTO driveline zerks.

1. Grease PTO locations every 8 hours.
2. Lubricate the outer CV cross kit with about 5 pumps of grease every 8 hours.
3. Grease telescoping members until it adequately covers the sliding members every 8 hours. Take apart occasionally to make sure adequate lubrication is being added. Take apart each season to be cleaned with solvent and re-coated with grease before reassembling.
4. Lubricate the inner CV cross kit with about 15 pumps of grease every 8 hours.
5. Lubricate the double yoke with about 10 pumps of grease every 8 hours.

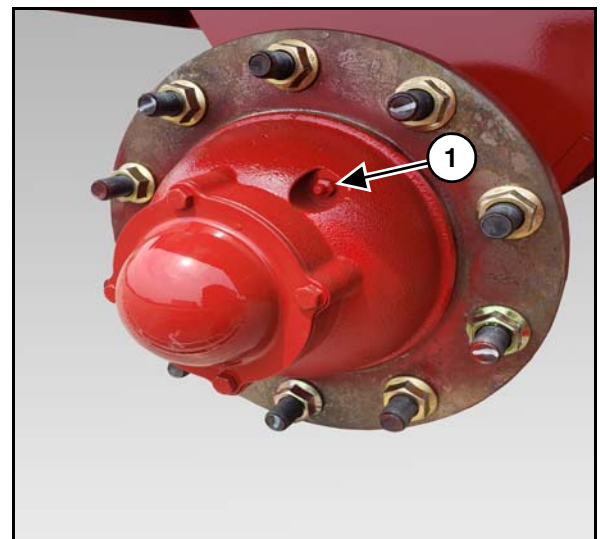


Grease all universal joints (Item 1) and the slide (Item 2).



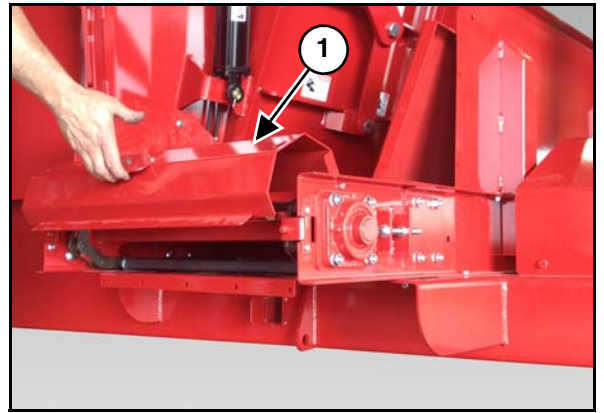
### 8.1.1.3 Monthly:

Grease the hubs through the zerk (Item 1) in each hub. Be careful not to over grease and force the seal out of the back side of the hub.



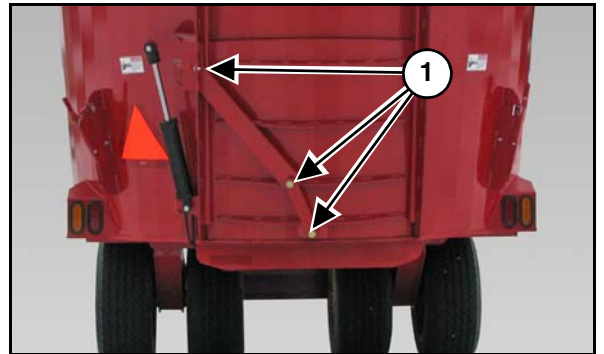
**Optional Equipment Maintenance (If Equipped)**

Clean out under chain return shield (Item 1).



**8.1.1.4 Every 40 hours:**

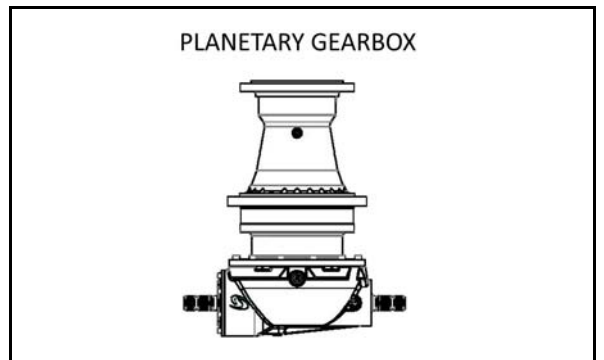
Oil Door Pivots (Item 1).



Rear Discharge Door

**8.1.1.5 First 50 hours:**

First oil change in the planetary. (See Section 8.1.3.1 Planetary Gearbox.)





8.1.1.6 Every 250 hours:

Driveline

**NOTE:** The number of input bearings will vary depending upon your model mixer.

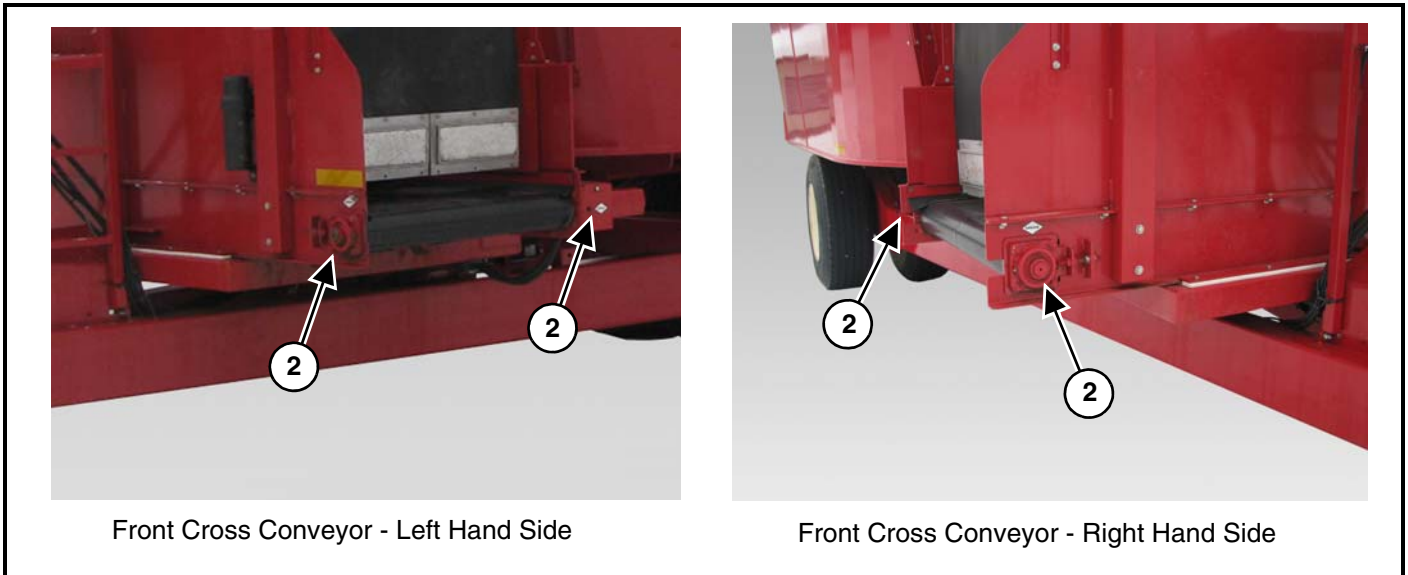
**NOTE:** Shielding has been removed for illustration purposes only.

Grease all input bearings with 1 pump of grease (Item 1). Be careful not to over grease.



**Optional Equipment Maintenance (If Equipped)**

Grease the four (4) front cross conveyor bearings (Item 2).

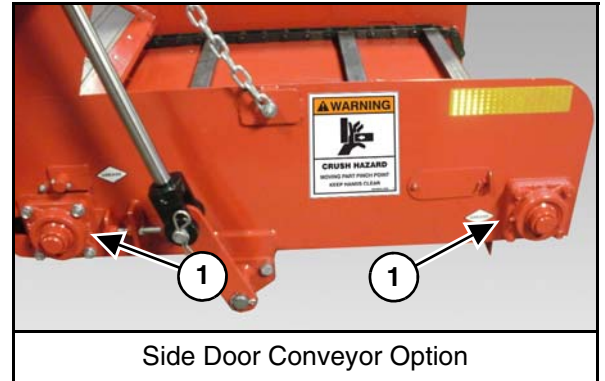


Front Cross Conveyor - Left Hand Side

Front Cross Conveyor - Right Hand Side

### Side Door Conveyor (If Equipped)

Grease the four (4) side door conveyor bearings (Item 1) (both sides).

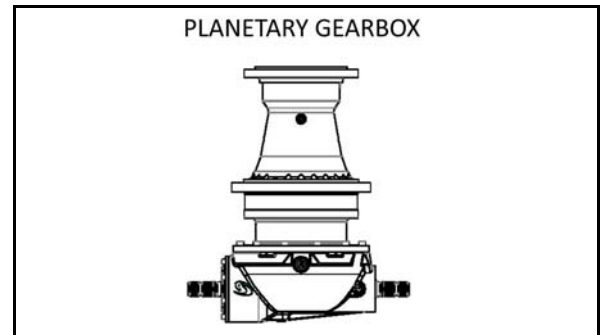


#### 8.1.1.7 Annually:

Clean and repack the wheel hubs with axle grease. (See Section 8.1.2 Grease Packed Hubs.)

#### 8.1.1.8 Annually or Every 1000 Hours (Whichever Is First):

Change oil in the planetary gearboxes. (See Section 8.1.3.1 Planetary Gearbox.)



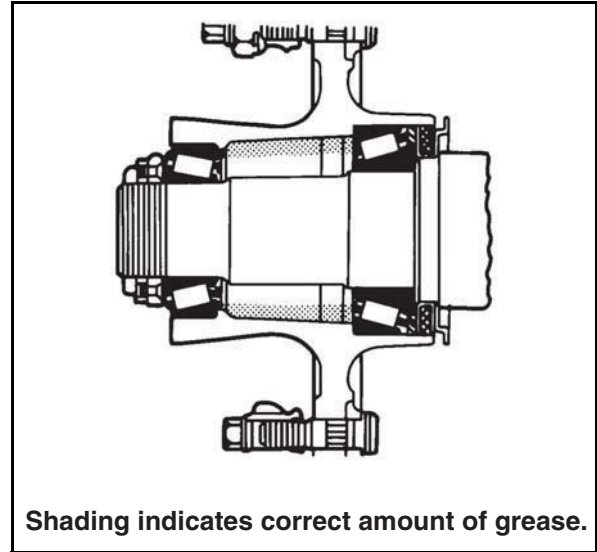


### 8.1.2 Grease Packed Hubs

- Use a pressure packer to pack the bearing cones with grease by forcing grease into the cavities between the rollers and cage from the large end of the cone. If a pressure packer is not available, pack the bearings by hand.
- Apply a light coat of grease to the spindle bearing journals.



When you lubricate the wheel-end cavity with approved grease, pack the area of the hub between the two bearings with grease only up to the smallest diameter of the bearing cups. Do not install too much grease in the wheel-end cavity. Remove excess grease, which can contaminate the brakes and affect bearing life and braking performance. **Shading indicates correct amount of grease.** Damage to components can result.



- Pack the area of the hub between the two bearings with grease up to the smallest diameter of the bearing cups. Remove excess grease.
- Install and tighten the hub retention hardware. Apply a light coat of approved NLGI 1 or 2 grease to the hubcap interior and across the face of the outer locknut. This will indicate that NLGI 1 or 2 grease was used, as well as help prevent corrosion of these parts.

### 8.1.3 Gearbox Oil Change



Shutoff and lockout power before performing machine service, adjusting, maintaining, or clearing an obstruction from this machine. (See 5.3 SHUTOFF & LOCKOUT POWER on page 24.)



Fluid such as hydraulic fluid, grease, etc. must be disposed of in an environmentally safe manner. Some regulations require that certain spills and leaks on the ground must be cleaned in a specific manner. See local, state and federal regulations for the correct disposal.

#### NOTE:

- In order to avoid sludge deposits, change the oil while the gear unit is still warm.
- For an effective oil change, the unit should be flushed with a liquid detergent recommended by the lubricant supplier.
- The mixer should be level when changing gearbox oil.

### 8.1.3.1 Planetary Gearbox

#### Draining

**Both Models:** Place a container of sufficient capacity under the gearbox (Item 4). Drain the planetary by removing the drain plug (Item 5). Rinse the bottom hose with clean oil to remove any metal particles or trapped water. Reattach hose, clamp, or drain plug. After the unit is completely drained, reinstall the drain plug or hose and hose clamp.

#### Filling

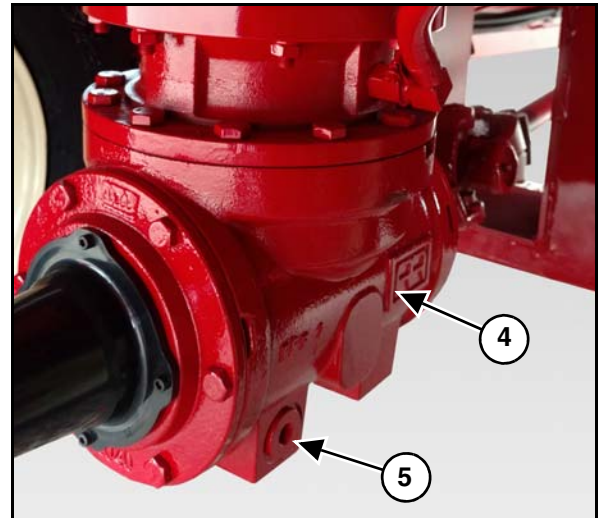
*Filling with an oil pump:*

(Call the factory to purchase an oil pump kit, Part #: VA-OP.)

Loosen the hose clamp and detach the lower hose (Item 1) on the reservoir (Item 2). Unbolt reservoir and lay so the top hose and reservoir is below the hose used for filling.

Connect oil pump to lower hose and fill with oil until the catch basin fills with approximately 2 quarts of oil. Discard this oil if it is dirty. Reattach the lower hose (Item 1) with the hose clamp. Bolt the reservoir back in place. Fill the reservoir to the oil level mark and reinstall the cap (Item 3).

Inspect the reservoir's breather (Item 4), make sure it is not plugged, and check for leaks.



Planetary For 425 - 510 Models

### PLANETARY LUBRICATION SPECIFICATIONS

Model	Part Number	Description	Synthetic Oil Type (Recommended Min Temp)	Capacity
425 / 510	119-VM10-24.26-1	VM10 Planetary 24.26:1	ISO 220 (All Temps) 75W-90 (-40°F) 80W, 80W-90 (-15°F) 85W, 85W-90 (-10°F) 90 (35°F) <b>Note:</b> Use only <b>Synthetic</b> versions of each oil type.	Approx. 25 Quarts

## 8.2 ADJUSTMENTS



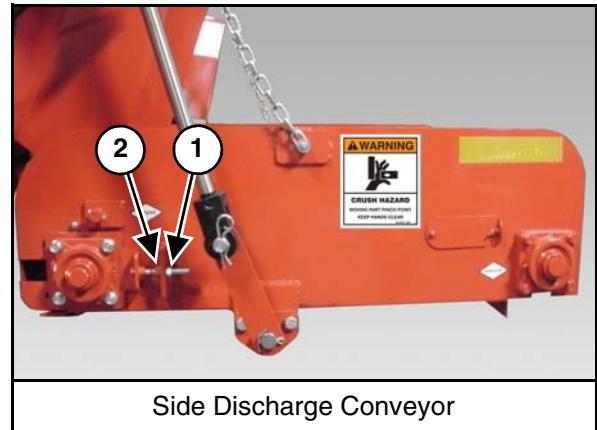
Shutoff and lockout power before performing machine service, adjusting, maintaining, or clearing an obstruction from this machine. Refer to section 5.3 SHUTOFF & LOCKOUT POWER.



If work must be done inside the mixer put a protective cover over the auger knives to avoid injury. The hopper and flighting may be slippery. Use caution when stepping on or standing inside the mixer.

### 8.2.1 Side Discharge Conveyor

To adjust tension of the chain, loosen the inner nut (Item 1) and either tighten or loosen the outer nut (Item 2) as needed. Count the number of turns you are adjusting so you can adjust the other end. Once you have proper tension, retighten the inner nut (Item 1) on both sides.

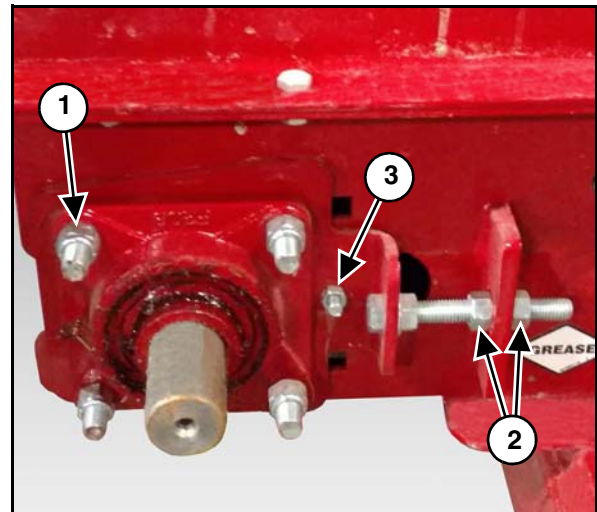


### 8.2.2 Tracking

**NOTE:** The primary discharge side for the two motor flat conveyor is the side that is used for discharge the most.

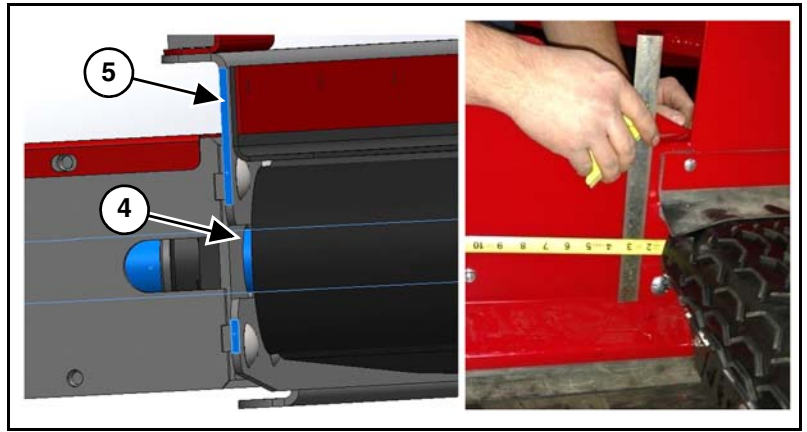
Step 1: Loosen the lock nuts (Item 1) holding the four bearings to the conveyor. Loosen the tightener nuts (Item 2) on all adjuster locations. Do not loosen the scraper bolts (Item 3).

Step 2: Locate the primary discharge side of the conveyor.



Step 3: Set the primary side as follows:

Use the primary side adjusters to remove at least half of the belts slack. Measure, as shown below, until both sides of the drive pulley shaft (Item 4) are set at exactly the same from the end of the conveyor frame (Item 5).



Step 4: Once the primary drive pulley is set and square, tighten the lock nuts on both primary drive pulley bearings. Lock both adjusters on the primary drive pulley.

Step 5: With the primary discharge drive pulley set, move to the other side of the conveyor. Start to evenly tighten the belt by alternating sides on the non-primary discharge pulley adjusters. Tighten until the lowest hanging part of the belt is flush with the bottom of the conveyor frame. Once the belt is tight (Do not over tighten belt), measure the distance from the non-primary discharge shaft to the end of the conveyor frame, same as shown in Step 3. Do that for both shaft ends of the non-primary discharge pulley.

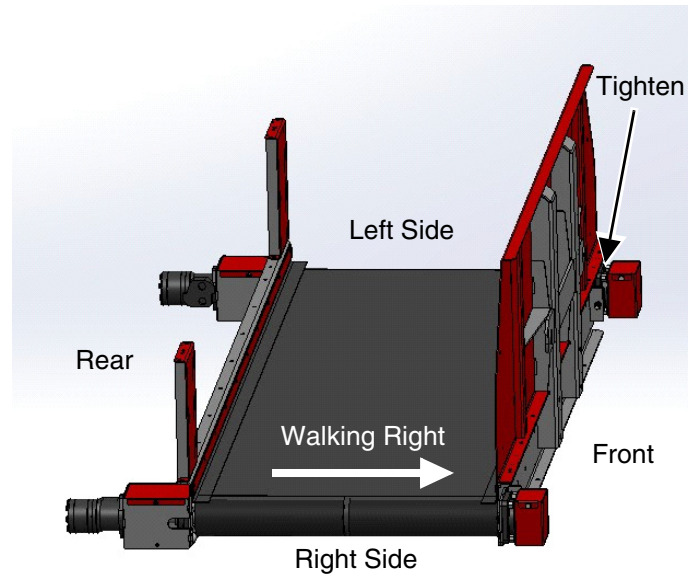
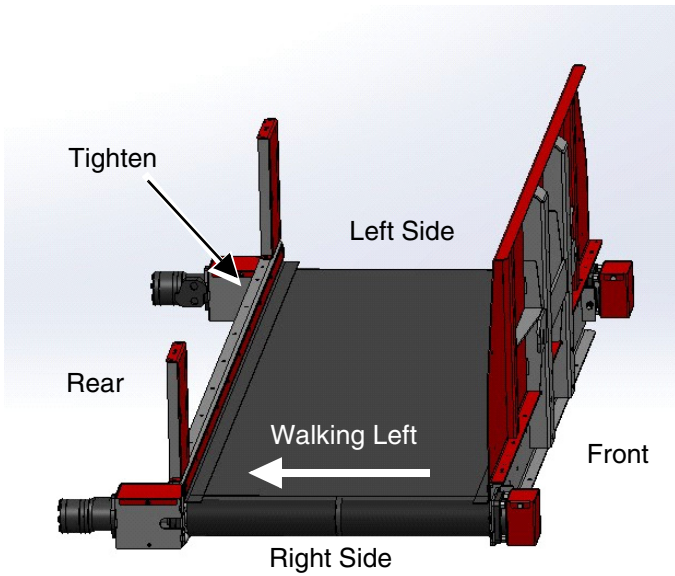
Step 6: Take the shortest measurement from either end and set both ends of the non-primary discharge pulley to the same measurement.

**NOTE: If you run out of adjustment on the non-primary side, repeat Step 3 and remove more slack from the belt using the primary side.**

Step 7: With the belt tight and the non-primary discharge pulley square with the conveyor frame, tighten the adjuster lock nuts for both non-primary discharge pulley bearings.

Step 8: Run the mixer conveyor for 2-3 minutes (both directions for front flat conveyors) at full RPM. If you notice the belt walking to the left or right while looking at the primary discharge end of the conveyor, stop the conveyor. Check your measurements to make sure both primary and non-primary discharge pulleys are square with the conveyor frame. If the conveyor pulleys are square but the belt continues to walk, use the images below to unlock and tighten the corresponding non-primary discharge pulley bearing adjuster (See Below). Continue to slightly adjust and run the conveyor until the belt stops walking.

**NOTE: If the center v of the belt is completely out of the pulley groove, you may have to loosen both non-primary pulley adjusters to center the belt. Retighten to your measurement used in Step 6 before adjusting the conveyor as shown below.**



**NOTE: Both images are viewed as if the conveyor is a right primary discharge.**

Step 9: With the belt conveyor tracking properly, make sure all bearing bolts are tight and adjusters are locked.

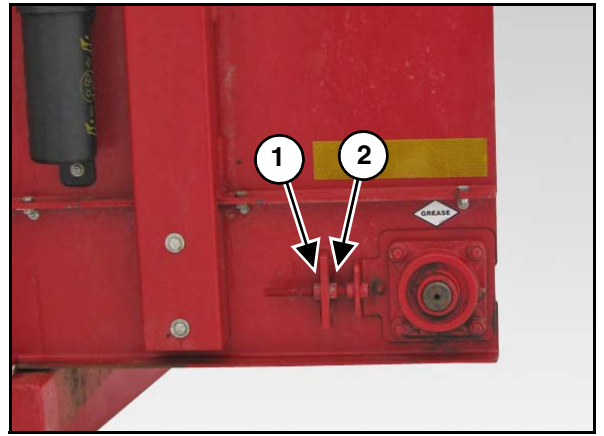
Step 10: Watch the conveyor when discharging your feed ration to make sure the belt doesn't slip. If the belt is slipping, evenly tighten the non-primary discharge side. Run and check belt alignment. Repeat as necessary.

Step 11: Watch the conveyor when discharging your feed ration to make sure the belt doesn't slip. If the belt is slipping, evenly tighten the non-primary discharge side. Run and check belt alignment. Repeat as necessary.

**NOTE: If you run out of adjustment on the non-primary side, repeat Step 3 and remove more slack from the belt using the primary side.**

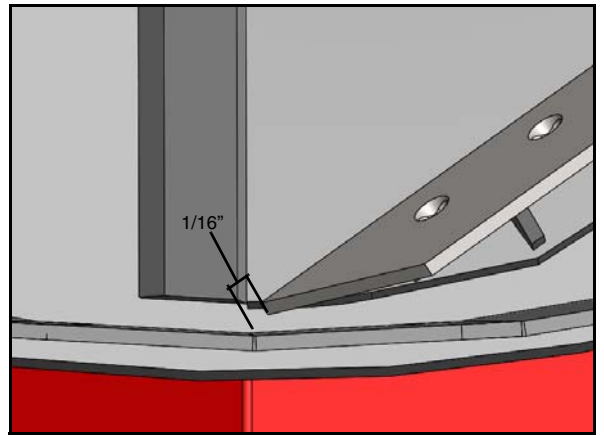
### 8.2.3 Front Discharge Conveyor - Chain

To adjust tension of the chain, loosen the inner nut (Item 1) and either tighten or loosen the outer nut (Item 2) as needed. Count the number of turns you are adjusting so you can adjust the other end. Once you have proper tension, retighten the inner nut (Item 1) on both sides.



### 8.2.4 Auger Scraper Plate

Check the auger scraper monthly for proper clearance with the side panel. Locate the closest point along the augers rotation that the scraper plate has with the side panels. Adjust the scraper to a 1/16" from the located closest point as shown in the image.





## 8.2.5 Knives



**CAUTION**

Shutoff and lockout power before performing machine service, adjusting, maintaining, or clearing an obstruction from this machine. (See 5.3 SHUTOFF & LOCKOUT POWER on page 24.)



**CAUTION**

If work must be done inside the mixer put a protective cover over the auger knives to avoid injury. The hopper and flighting may be slippery. Use caution when stepping on or standing inside the mixer.

Knives are designed and intended for processing and mixing rations that include long stem forages.

**NOTE: Some rations may require adding or removing knives, or changing knife position to obtain the desired result.**

### 8.2.5.1 Knife Removal

Individual knives may be removed from the auger if the ration does not include hay or includes very small amounts of small square bale hay or tub ground hay. Removing knives will decrease the aggressive cutting action on the stem length of the ration and may also reduce horsepower requirements.

### 8.2.5.2 Adding Knives

If the hay in your ration is not being processed enough or fast enough extra knives may be ordered through your dealer. Adding extra knives will help break down and process materials faster, but may increase the horsepower required to process and mix.

### 8.2.5.3 Knife Placement

The placement of knives towards the bottom of the auger will process the forage faster and make the stem length shorter but may require more horsepower. Placement of knives higher on the auger will assist in breaking up bales faster after initial loading.

### 8.2.5.4 Knife Position

#### “Out” Position

When the knives are in the “out” position they tend to move the long stem hay and lighter bulky materials best in the early stages of processing and mixing. This setting may result in feed spillage in certain materials. Knives placed in this setting are very aggressive in processing feed and will also cause an increase in horsepower requirement.

#### “In” Position

When the knives are in the “in” position they will slow down the long stem hay and lighter bulky materials in the early stages of processing and mixing. Less spillage will occur due to clearance between the knives. This setting is more desirable for heavy rations with long run time and where over processing can occur. Knives placed in this position are less aggressive in processing feed and will reduce the horsepower requirement.

### 8.2.5.5 Replacing Damaged or Worn Knives

When knives become worn and rounded on the leading edge their efficiency is greatly reduced. This results in longer processing times and increased horsepower requirements. Refer to your parts manual and contact your Meyer Mfg dealer for replacement part ordering.



## 8.2.6 Wheel Bearing Preload

1. Torque the spindle nut to seat the bearings using the Seat Bearings torque value for your specific hub listed in the table below.
2. Loosen spindle nut.
3. Re-torque the spindle nut to the Final Torque.
4. Install cotter pin. If the nut isn't aligned with the cotter pin hole, back the nut off to the closest position that does.

MEYER PART # (Hub #)	SEAT BEARINGS (FT. LBS)	FINAL TORQUE (FT. LBS)
75-0219A	75	45

## 8.3 WHEELS AND TIRES

### 8.3.1 Wheel Installation



**THESE INSTRUCTIONS ARE NOT COMPLETE. READ AND FOLLOW ALL PROCEDURES IN USER'S GUIDE TO WHEELS AND RIMS BY "THE MAINTENANCE COUNCIL" #T0410. IF YOU HAVE QUESTIONS CALL WALTHER ENG. & MFG. COMPANY INC. (937) 743-8125.**

- Clean adjoining surfaces.
- Start nuts to bring wheel and brake drum (If Equipped) flush to hub mounting surface.
- Avoid brake drum (If Equipped) and/or wheel binding on hub.
- Install remaining wheel nuts. Torque to 50 ft-lbs, then re-torque to required full torque (See section 8.3.2 Wheel torque).
- Re-torque wheel nuts after 50-100 miles.
- Check wheel nut torque every 10,000 miles and re-torque as necessary.

### 8.3.2 Wheel torque

BOLT/STUD SIZE	SOCKET SIZE	PRESS FORMED WHEEL CENTER	BOLT TYPE	HEAVY DUTY WHEEL CENTER
3/4	1-1/8 / 1-1/2	N/A	Flange Nut	378 ft lbs

### 8.3.3 Tire Inflation

TYPE SIZE	PSI
435/50R x 19.5	130

If tires are to operate for any length of time on roads or other hard surfaces and the draft load is not great, it is advisable to increase the pressure in the tire to the maximum recommendation in order to reduce the movement of the tread bars that causes excessive wiping action.

Inflation pressures should be checked at least every week. Recommended inflation pressures based on total load on tires should be used. For accurate inflation use a special low-pressure gauge with one-pound gradations. Gauges should be checked occasionally for accuracy. Always use sealing valve caps to prevent loss of air.

## 8.4 STORING THE MIXER

LOCKOUT / TAGOUT the machine / mixer. (See 5.3 SHUTOFF & LOCKOUT POWER on page 24.)

### Extended Storage

Sometimes it may be necessary to store your Meyer mixer for an extended period of time. Below is a list of items to perform before storage.

- Fully empty the material from the mixer. (See 7.6 UNLOADING on page 39.)
- Thoroughly clean the mixer inside and outside.
- Remove all material build-up.
- Lubricate the equipment. (See 8.1 LUBRICATION on page 43.)
- Inspect all mixer components for wear or damage. Repair and replace components as necessary.
- Make appropriate adjustments to equipment. (See 8.2 ADJUSTMENTS on page 50.)
- Place hydraulic hoses and 7-pin connector in the storage brackets (if equipped).
- Inspect the hitch and all welds on the equipment for wear and damage.
- Check for loose hardware, missing guards, or damaged parts.
- Check for damaged or missing safety signs (decals). Replace if necessary.
- Touch up all paint nicks and scratches to prevent rusting.
- Place the equipment in a dry protected shelter.
- Place the equipment flat on the ground.

## 8.5 RETURNING THE MIXER TO SERVICE

After the Meyer mixer has been in storage, it is necessary to follow a list of items to return the equipment to service.

- Be sure all shields and guards are in place.
- Lubricate the equipment.
- Check tire pressure and that the lug nuts are tight.
- Connect to a tractor and operate equipment; verify all functions operate correctly.
- Check for leaks. Repair as needed.

## 9.0 PARTS REPAIR AND REPLACEMENT

### 9.1 REPLACEMENT PARTS



#### WARNING

Before servicing this equipment, insure that all personnel, including family members are familiar with the equipment and the safety hazards that are present, along with the safety practices that should be observed while working in this equipment.



#### CAUTION

Inspect the chassis' axles, o-beams, spindles, tires, hitches & all safety shielding, safety signs and safety lighting regularly. These parts if not watched closely, could pose potential injury or death. If any part is found in need of repair, follow the SHUTOFF & LOCKOUT POWER recommendations and have qualified personnel repair immediately.

At times parts on this implement will become worn or damaged. Performing repairs on this implement can pose a risk of injury including death. To reduce risk, the party that will be doing the repair should be very knowledgeable of the implement and the equipment that they will be using to do the repair.

- Review the repair so that a plan can be put together and the proper equipment can be used to repair this implement safely and correctly.
- Personal safety equipment may include items such as safety glasses, protective footwear, hearing protection, gloves, fire retardant clothes, etc.



#### WARNING

#### Crushing Hazard

Do Not work under suspended or blocked parts.



- The use of hoists and/or supports may be needed to handle heavy components.
- If the implement is being repaired in the field, make sure the parking brake of the tractor is engaged, the implement is on solid and level ground.
- Welding and torching should be done by properly trained individuals who have proven their skills.

#### IMPORTANT

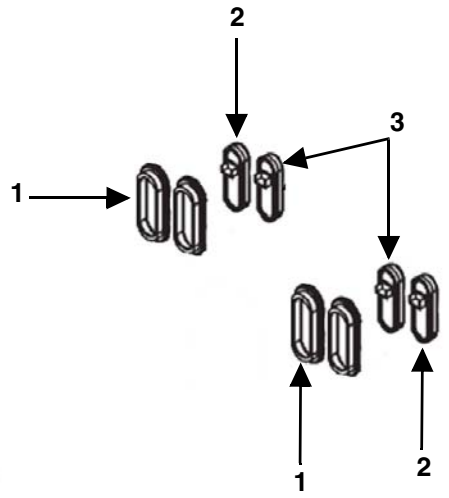
Call the factory for any additional details you may need to perform the repair. Some parts may come with instruction sheets to assist in the repair. Instructions sheets may be provided with your parts order. Otherwise, if available, instruction sheets can be e-mailed or faxed for your convenience. Call Meyer Manufacturing Corporation toll free at 1-800-325-9103 or email [parts@meyermfg.com](mailto:parts@meyermfg.com).

**NOTE:** Be environmentally friendly and dispose of any waste materials properly. Recycle when appropriate.

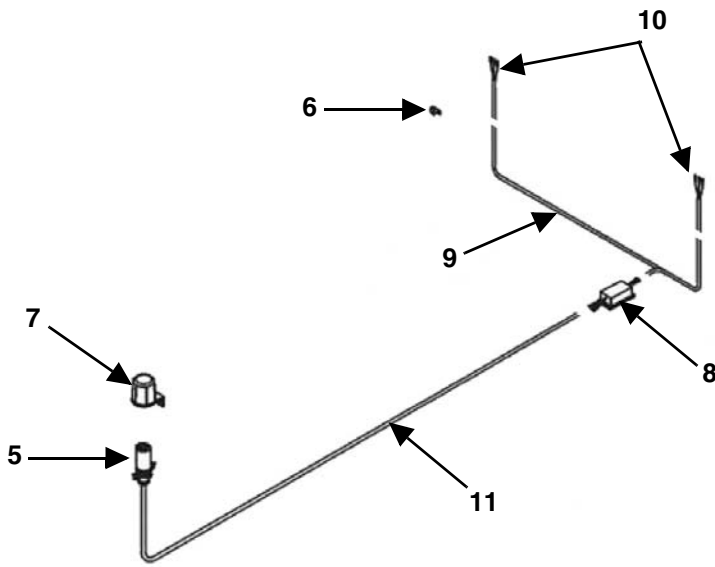
# ELECTRICAL LIGHTS

	<p><b>CAUTION</b></p> <p>Use Flashing Warning Lights when transporting on <u>ALL</u> highways (public roadways) at <u>ALL</u> times.</p> <p><b>EXCEPT WHEN PROHIBITED BY LAW!</b> (Check w/local law enforcement)</p> <p style="font-size: small;">46-0001-62 1</p>
<p>By all State and Federal laws, implement lights do not replace the SMV (Slow-Moving Vehicle) Identification Emblem. All towed agricultural vehicles must display SMV Emblems when traveling LESS than 20 mph (32 kph).</p>	

↑  
4

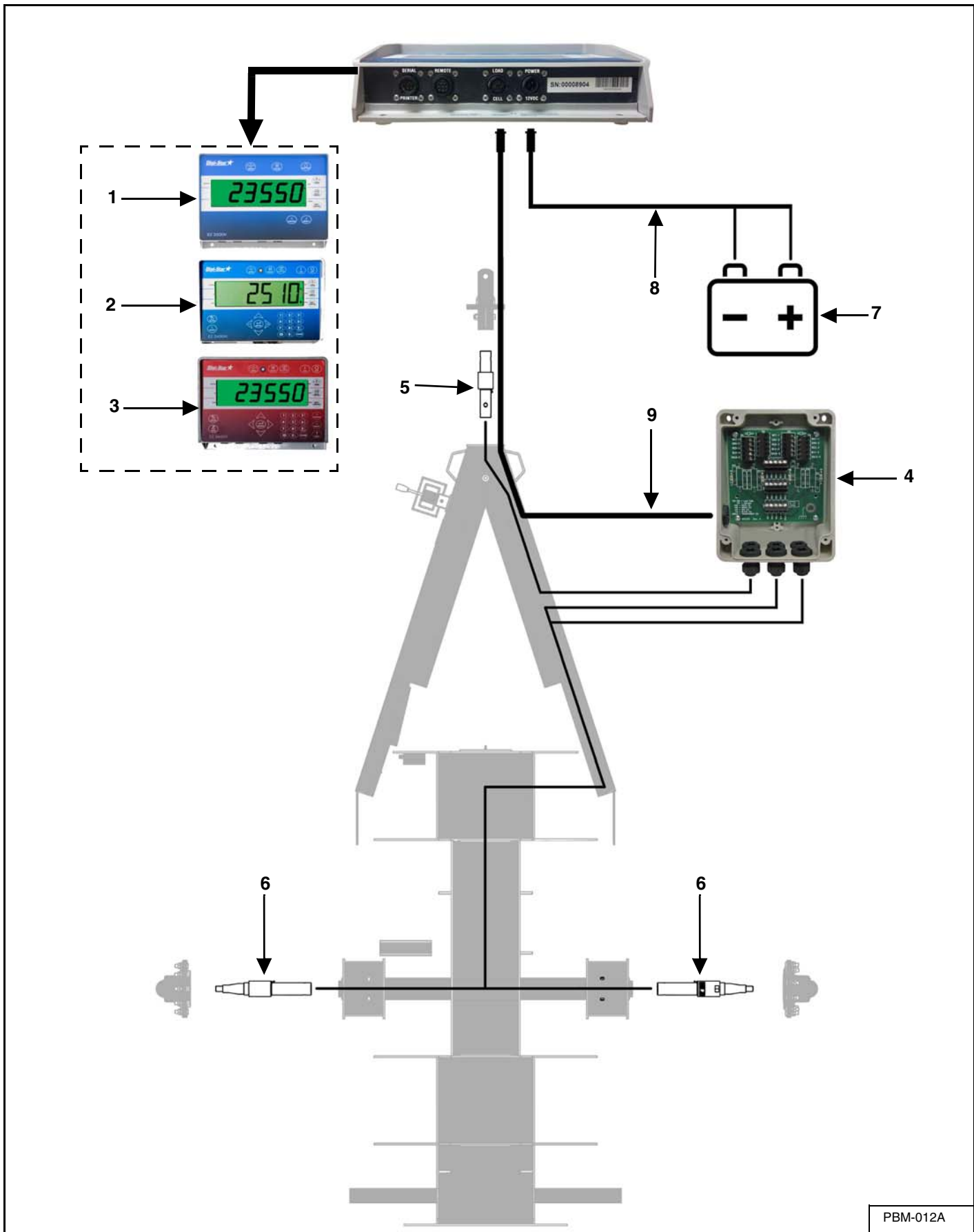


Truck Mount Models Use Red Lamps in Both Positions.



KEY	PART NUMBER	QTY	DESCRIPTION	MIXER MODEL
1	56-0082	4	6" Oval Grommet	Both Models
2	56-0081	2/0	6" Oval Amber LED Light	Both Models
2	56-0115	2/4	6" Oval Red LED Light	Both Models
4	46-0001-62	1	Caution Tail Light Decal	Both Models
5	56-0005-2	1	7-Contact Plug End Only	Both Models
6	56-0008	2	Harness Frame Clip	Both Models
7	56-0009	1	7-Way "Stor-A-Way" Plug Holder	Both Models
8	56-0084	1	LED Ag Enhancer Module (Trailer Mounts Only)	Both Models
9	56-0130-1	1	Y-Harness Less Light Plug Leads	Both Models
10	56-0130-2	2	Right/Left Light Pigtail Lead	Both Models
11	56-0213	1	Front Discharge 21.5' LED Light Cord 6-Pin & 7-Pin Connector	Both Models
	56-0214	1	Side Discharge 19' LED Light Cord 6-Pin & 7-Pin Connector	Both Models

# WEIGH BAR WIRING DIAGRAM

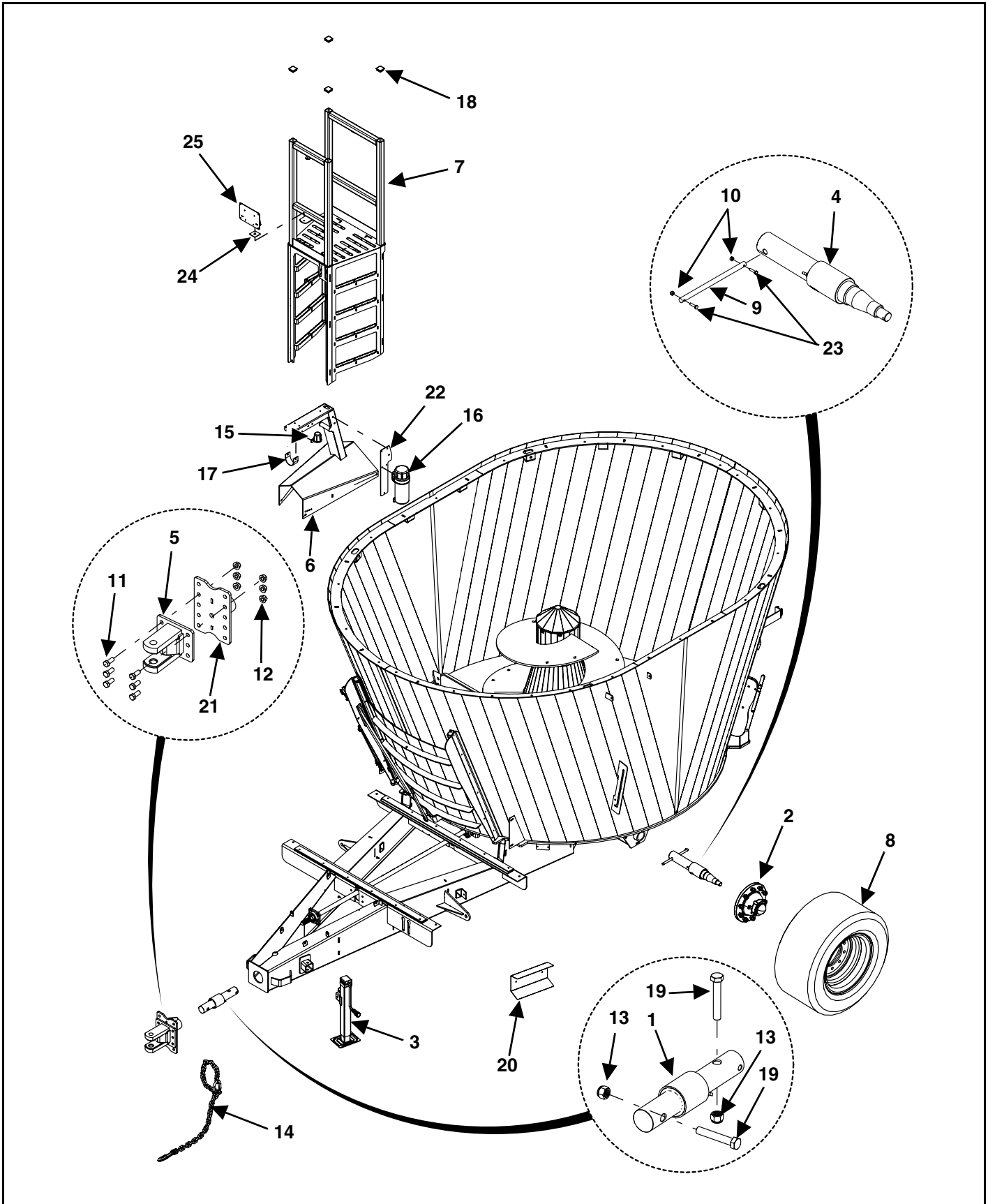


PBM-012A

KEY	PART NUMBER	QTY	DESCRIPTION	MIXER MODEL
1	58-0002-407120	1	EZ2500V Scale Indicator Monitor With Serial Port	Both Models
	58-0002-407094	1	EZ2500V Scale Indicator Monitor	Both Models
	58-0002-404516	1	EZ2400V Scale Indicator Monitor	Both Models
2	58-0002-408944	1	EZ3400V Scale Indicator Monitor	Both Models
3	58-0002-406552	1	EZ3600V Scale Indicator Monitor	Both Models
4	58-0020	1	6 Point Mobil J-Box	Both Models
	58-0008	1	6 Point Mobil J-Box With Monitor Cable	Both Models
5	58-0039	1	Front Hitch Weigh Bar	Both Models
6	58-0026	2	Spindle Load Cell, 2.875 DA-16	Both Models
7	56-0204	1	12V Male Plug Auxiliary Power Cord Assembly	Both Models
	56-0136	1	3-Pin Auxiliary Power Cord Assembly	Both Models
	VA-BBS	1	Battery Box Package	Both Models
8	56-0236	1	25' Power Cord	Both Models
9	58-0029	1	Junction Box To Monitor Cable 30'	Both Models

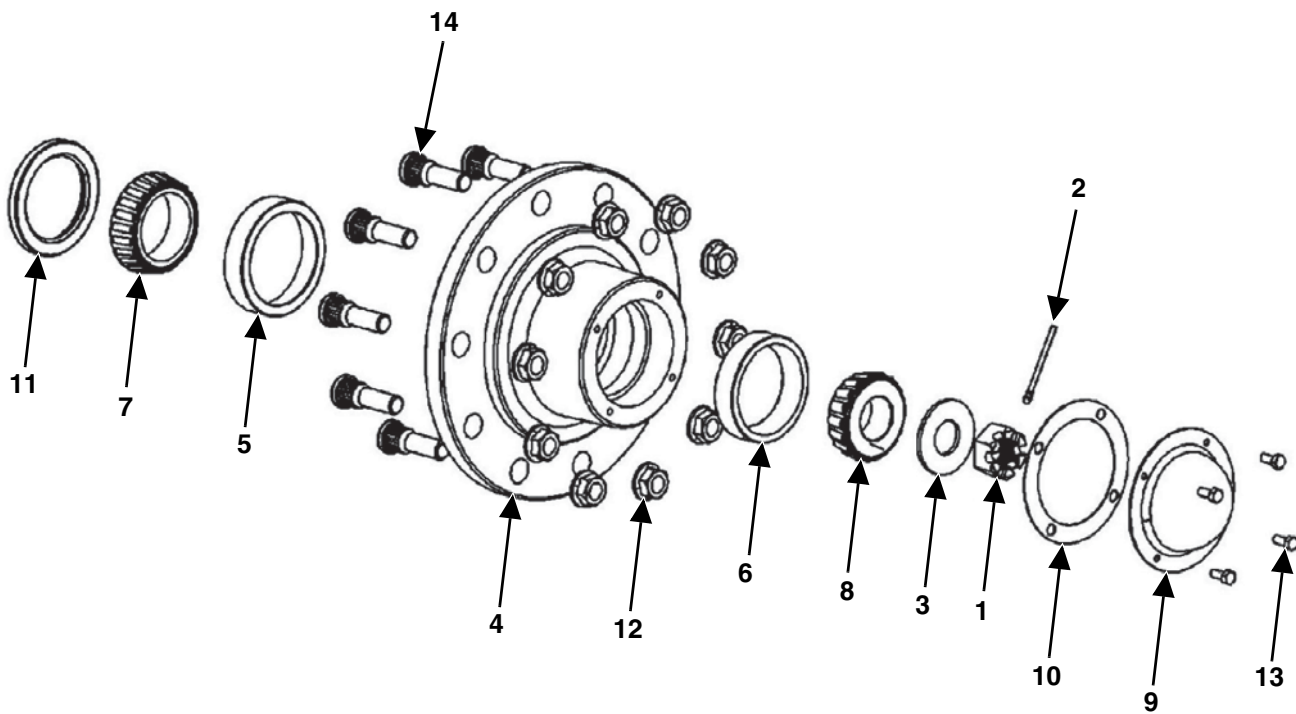


# SUBFRAME



KEY	PART NUMBER	QTY	DESCRIPTION	MIXER MODEL
1	See Page 60	1	Front Hitch Weigh Bar	Both Models
2	75-0219	4	Hub, 15,000# Capacity	Both Models
3	956-3806	1	8,000 # Square Jack Without Mount Tube	Both Models
4	See Page 60	2	Spindle Load Cell, 2.875 DA-16	Both Models
5	M1-8-0010	1	Adjustable Hitch Front Plate	Both Models
6	MS2-1-4-0023	1	PTO Shroud (Side Discharge)	Both Models
	MS2-1-4-0014	1	PTO Shroud (Front Discharge)	Both Models
7	MS10-1-4-003	1	Viewing Platform (Optional)	425
	MS10-1-5-003	1	Viewing Platform (Optional)	510
8	Call 1-800-325-9103	2	Wheel/Tire	Both Models
9	MS2-1-4-0031	2	Unibody Spindle Pin	Both Models
10	815-2520-Z	4	1/4-20 Nylon Insert Lock Nut	Both Models
11	881-7510-2.25Z	6	3/4-10 x 2-1/4" Grade 8 Machine Bolt	Both Models
12	884-7510-Z	6	3/4-10 Top Lock Nut, Grade 8	Both Models
13	814-7510-Z	2	3/4-10 Indented Lock Nut	Both Models
14	52-0050	1	Safety Chain, 30,000# Capacity	Both Models
15	56-0009	1	Light Plug Holder	Both Models
16	33-0060	1	Manual Holder	Both Models
17	M8-1-8-0006-7	1	Rubber Hose Holder	Both Models
18	M9-1-4-0001	1	Viewing Platform Cap	Both Models
19	881-7510-4.5Z	2	3/4-10 x 4-1/2" Grade 8 Hex Head, Yellow Cap Screw	Both Models
20	M11-4-0002	1	Load Cell Wire Storage Cover	Both Models
21	M1-1-4-0002	1	Hitch Mount Weldment	Both Models
22	M8-1-4-0004	1	Manual Holder Mount	Both Models
23	851-2520-1Z	2	1/4-20 x 1" Grade 5 Hex Cap Screw	Both Models
24	M9-1-8-0004	1	Scale Arm Rubber Washer	Both Models
25	M9-1-8-0002	1	Scale Indicator Mount	Both Models

# HUB ASSEMBLY



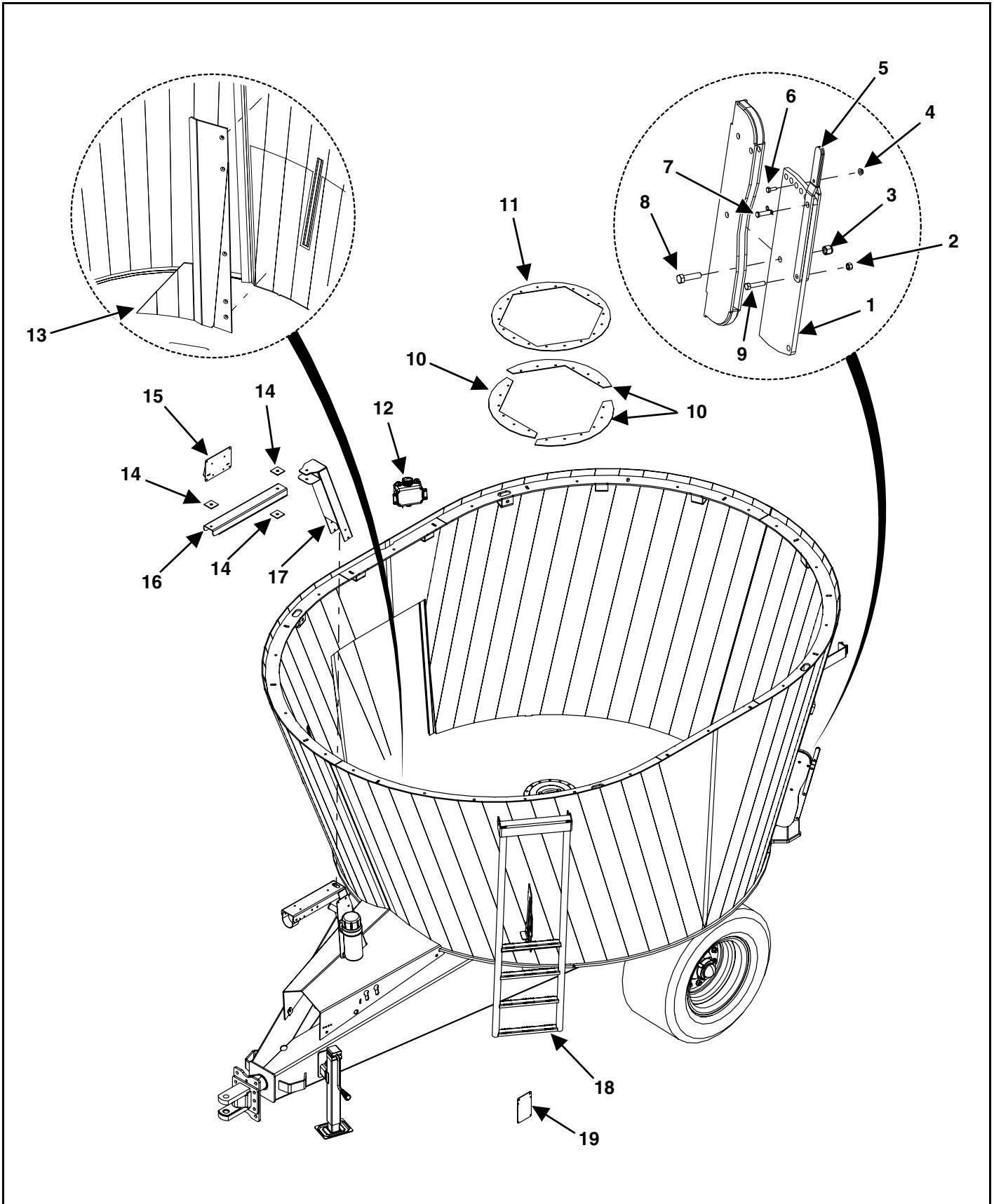
## Castle Nut Installation

75 ft-lb (102 N•m) to seat bearing assembly  
45 ft-lb (61 N•m) for the final torque

SXI-P-016

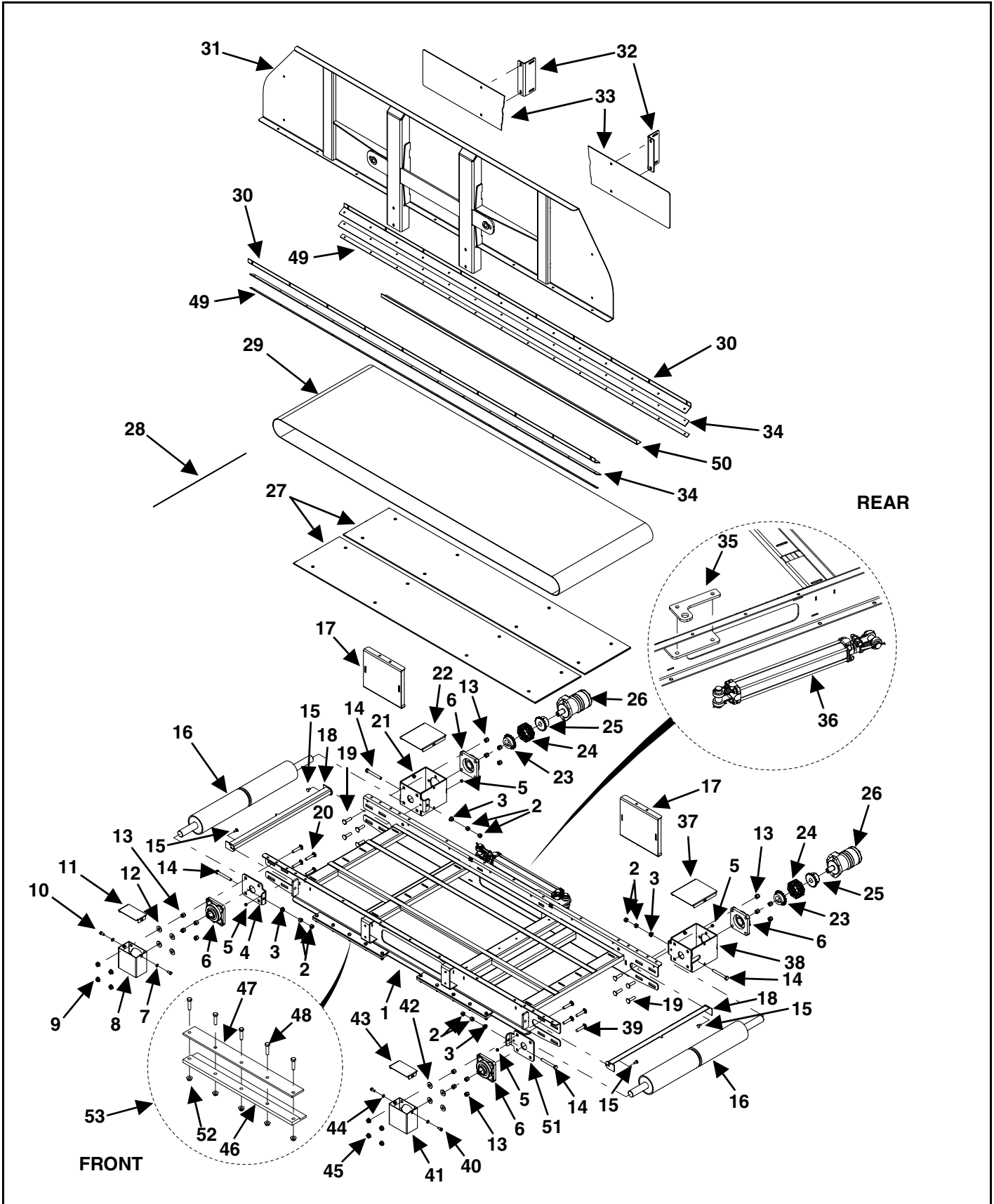
KEY	PART NUMBER	QTY	DESCRIPTION
0	75-0219-SC	1	Hub Assembly
1	75-0208-8	1	Nut, Castle
2	75-0208-9	1	Cotter Pin
3	75-0208-7	1	Washer
4	75-0219-1	1	Hub With Bearing Races & Studs
5	75-0211-4	1	Inner Wheel Race
6	75-0208-5	1	Outer Wheel Race
7	75-0211-3	1	Inner Wheel Bearing Cone
8	75-0208-6	1	Outer Wheel Bearing Cone
9	75-0219-3	1	Hub Cap
10	75-0208-14	1	Hub Cap Gasket
11	75-0211-2-SC	8	Grease Seal
12	75-0208-11	10	3/4"-16 Lug Nut-Flanged, Grade 8, Torque 378 ft/lbs
13	75-0208-13	4	Hex Bolt, 5/16"-18 x .75
14	75-0208-12	10	3/4"-16 Lug Bolt
NS	75-0219-4	11	Grease Zerk

# MIXER BODY



KEY	PART NUMBER	QTY	DESCRIPTION	MIXER MODEL
1	M7-1-8-0002	2	Hay Stop	Both Models
2	815-3816-Z	2	3/8-16 Nylon Insert Lock Nut	Both Models
3	815-5013-Z	2	1/2-13 Nylon Lock Nut	Both Models
4	810-2520-Z	2	1/4-20 Spin Lock Nut	Both Models
5	M7-1-8-0003	4	Hay Stop Handle	Both Models
6	851-2520-.75Z	2	1/4-20 x 3/4" Grade 5 Machine Bolt	Both Models
7	32-0042	2	1/2 x 1-1/2" Clevis Pin With Clip	Both Models
8	851-5013-2Z	2	1/2-13 x 2" Grade 5 Machine Bolt	Both Models
9	851-3816-1.75Z	2	3/8-16 x 1-3/4" Machine Bolt	Both Models
10	M2-1-8-0035-2	3	Auger Seal	Both Models
11	M2-1-8-0035-3	1	Auger Seal Cover	Both Models
12	See Page 116	1	2 QT Plastic Tank With Vented Cap	Both Models
13	MS6-1-4-0009	1	Front/Rear Door Deflector	Both Models
	803-3816-1.25Z	5	3/8-16 x 1-1/4" Flat Head Socket Cap Screw	Both Models
	815-3816-Z	5	3/8-16 Nylon Insert Lock Nut	Both Models
14	M9-1-8-0004	3	Scale Arm Rubber Washer	Both Models
15	M9-1-8-0002	1	Scale Indicator Mount	Both Models
16	MS2-1-4-0025	1	Load Display Pivot Arm	Both Models
17	MS2-1-4-0024	1	Scale Mount Extension Weldment	Both Models
18	See Page 108	1	Ladder	Both Models
19	M9-1-8-0005	1	J-Box Mount Plate	Both Models

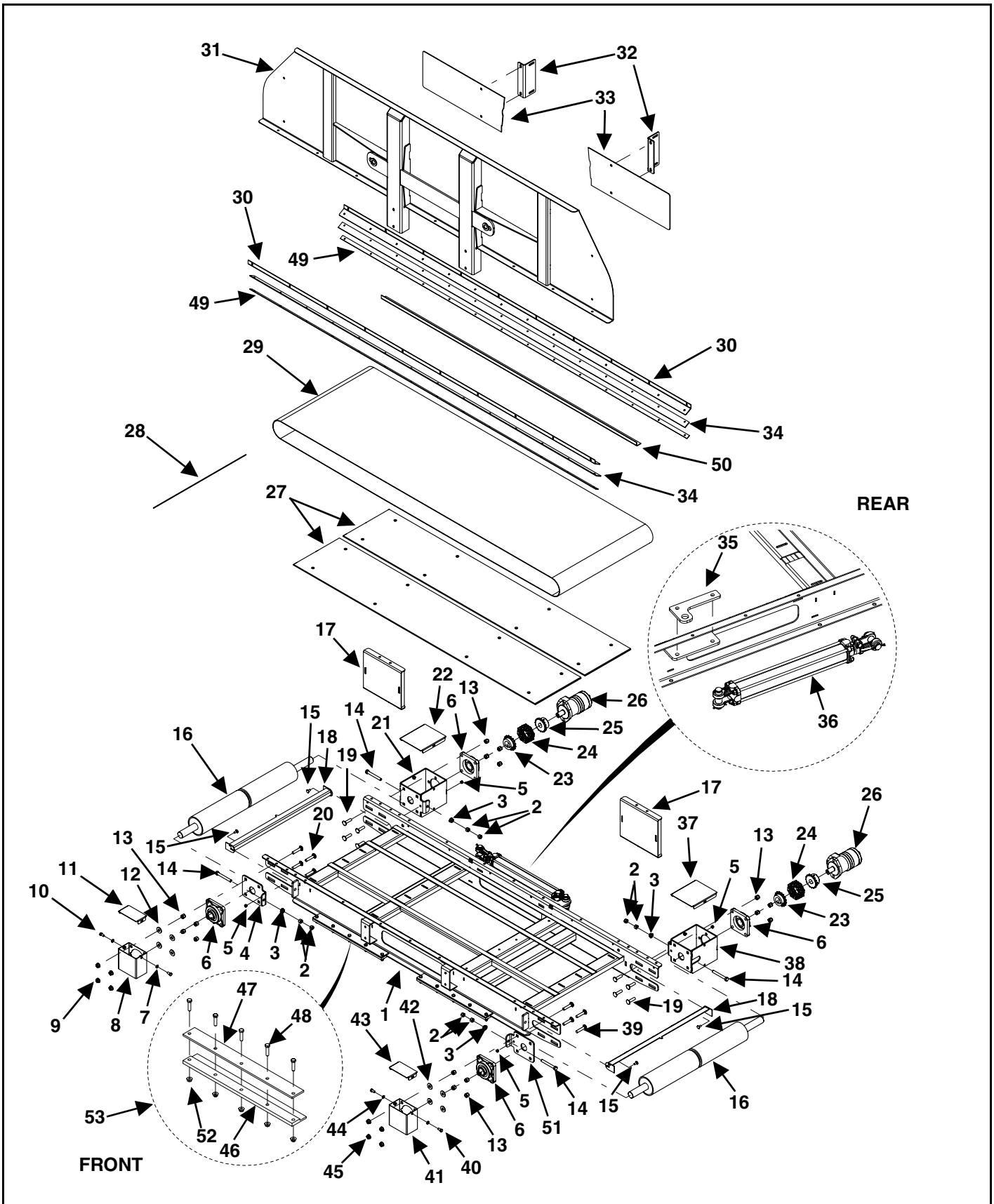
# FRONT FLAT & INCLINE BASE BELT CONVEYOR





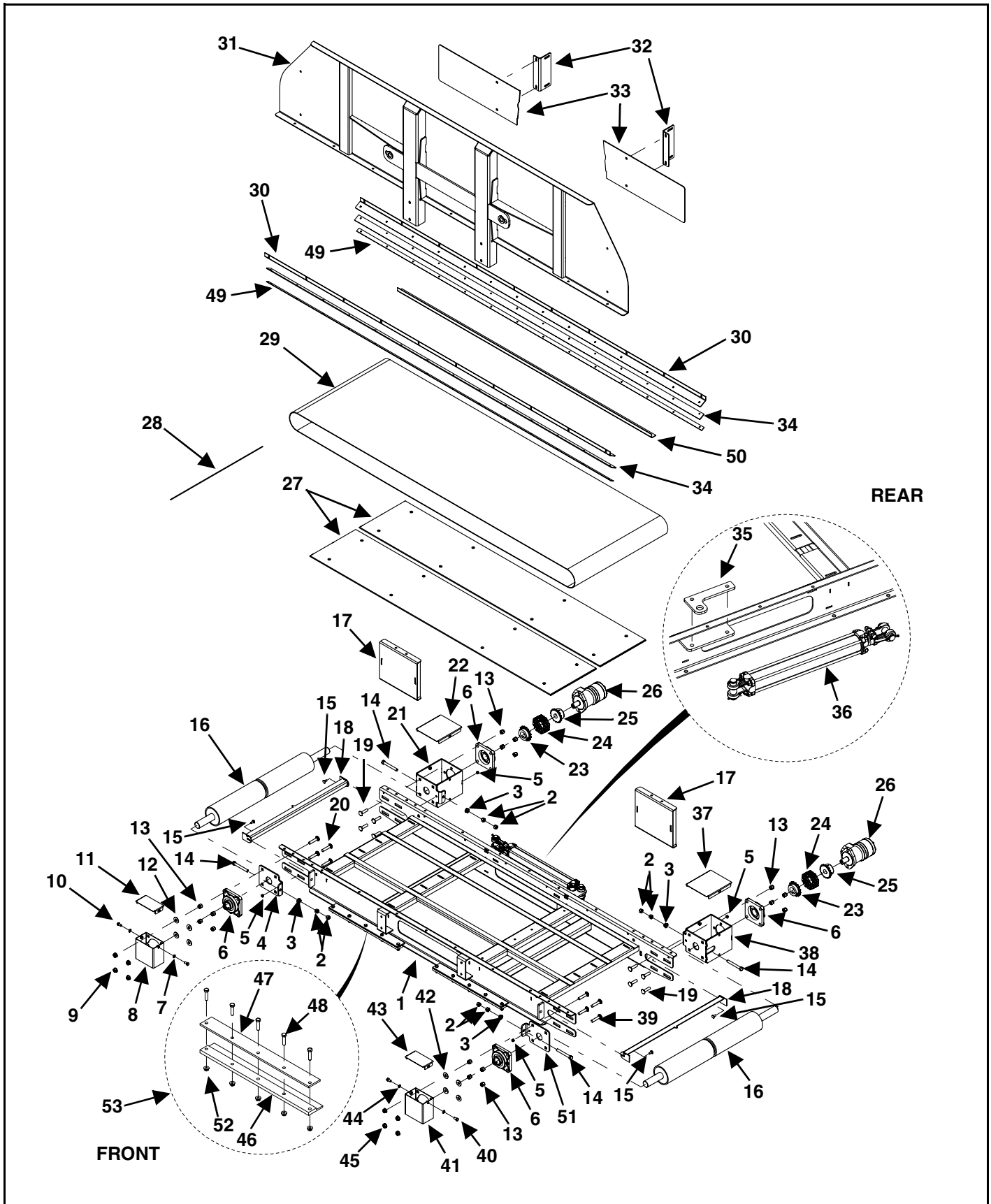
KEY	PART NUMBER	QTY	DESCRIPTION	MIXER MODEL
0	VSAM-FDB-36-2MI	1	2 Motor Front Discharge Flat Belt Conveyor (Incline Ready)	Both Models
	VSAM-FDBI-3636-L3	1	3 Motor Front LH Discharge Incline Belt Conveyor (36" Incline)	Both Models
	VSAM-FDBI-3636-R3	1	3 Motor Front RH Discharge Incline Belt Conveyor (36" Incline)	Both Models
	VSAM-FDBI-3648-L3	1	3 Motor Front LH Discharge Incline Belt Conveyor (48" Incline)	Both Models
	VSAM-FDBI-3648-R3	1	3 Motor Front RH Discharge Incline Belt Conveyor (48" Incline)	Both Models
1	M3-1-10-0017-1	1	Incline Base Conveyor Weldment	Both Models
2	813-5013-Z	8	1/2-13 Nut	Both Models
3	810-5013-Z	4	1/2" Spin Lock Nut	Both Models
4	M3-1-5-0044-1	2	Front Conveyor Bearing Mount	Both Models
5	814-3118-Z	4	5/16-18 Indented Lock Nut	Both Models
6	14-0070	4	1-1/2" 4-Bolt Bearing Narrow Inner Race	Both Models
7	822-0038-Z	2	3/8" Split Lock Washer (No Incline, LH Incline)	Both Models
8	M3-1-8-0047	1	Shaft Cover Weldment (No Incline, LH Incline)	Both Models
9	810-5013-Z	4	1/2" Spin Lock Nut (No Incline, LH Incline)	Both Models
10	851-3816-.75Z	2	3/8-16 x 3/4" Machine Bolt (No Incline, LH Incline)	Both Models
11	M3-1-8-0048	1	Shaft Cover Plate (No Incline, LH Incline)	Both Models
12	805-0050-Z	4	1/2" Flat Washer (No Incline, LH Incline)	Both Models
13	815-5013-Z	16	1/2-13 Nylon Lock Nut	Both Models
14	830-5013-4Z	4	1/2-13 x 4" Tap Bolt Full Threaded	Both Models
15	850-3118-.75Z	4	5/16-18 x 3/4" Carriage Bolt	Both Models
16	23-0269	2	Drive Pulley Urethane Lagged	Both Models

# FRONT FLAT & INCLINE BASE BELT CONVEYOR (CONT'D)



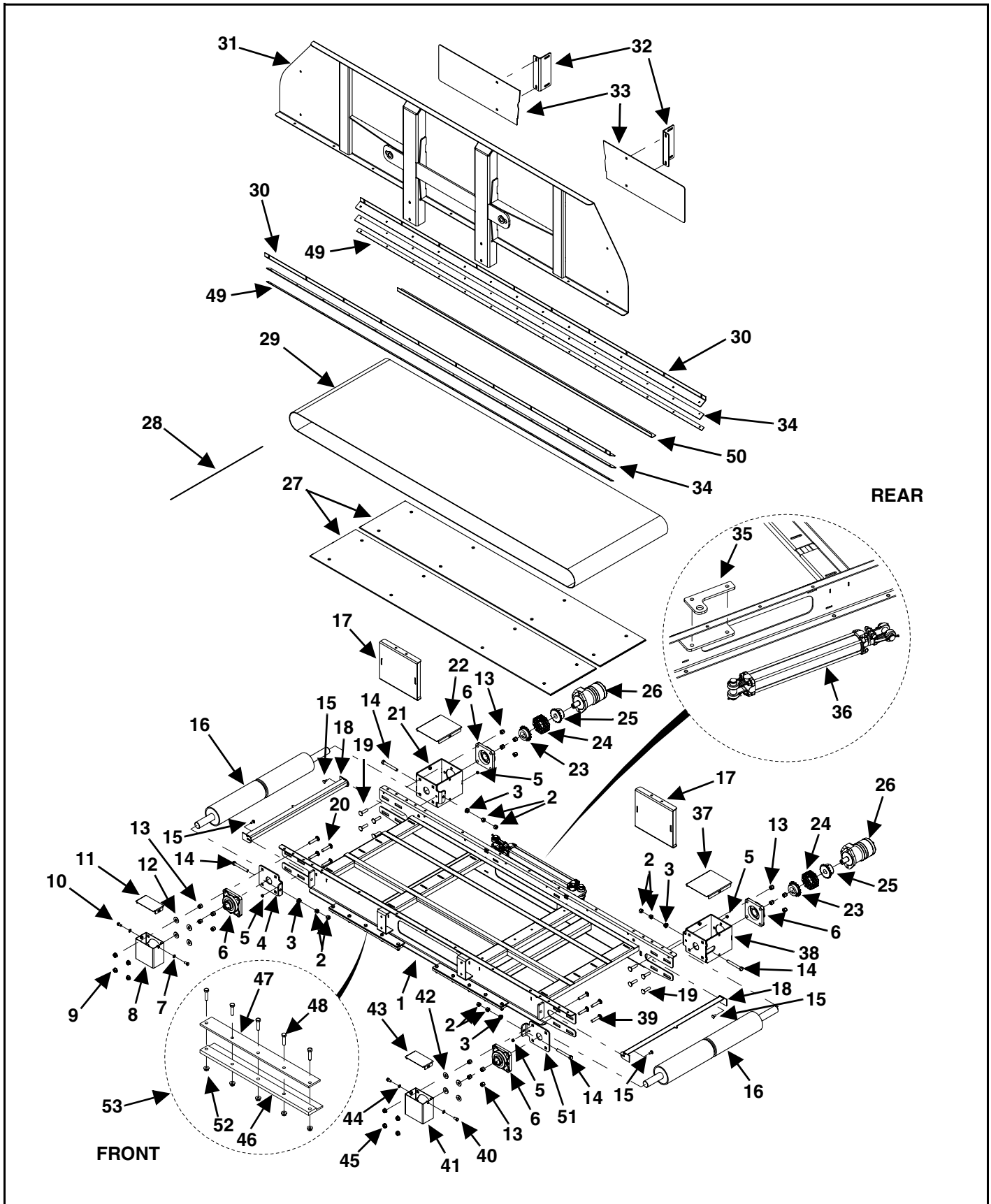
KEY	PART NUMBER	QTY	DESCRIPTION	MIXER MODEL
17	M3-1-10-0022	2	Conveyor Shield Weldment (Front Flat Sliding Conveyor Only)	Both Models
18	M3-1-10-0023	2	Conveyor Pulley Scraper	Both Models
19	850-5013-1.75Z	8	1/2-13 x 1-3/4" Carriage Bolt	Both Models
20	850-5013-2.25Z	4	1/2-13 x 2-1/4" Carriage Bolt (No Incline, LH Incline)	Both Models
	850-5013-1.75Z	4	1/2-13 x 1-3/4" Carriage Bolt (RH Incline)	Both Models
21	M3-1-8-0046	1	Front Conveyor Motor Mount Weldment (No Incline, LH Incline)	Both Models
	M3-1-5-0044-1	1	Front Conveyor Bearing Mount (RH Incline)	Both Models
22	M3-1-8-0045	1	Chain Coupler Cover Plate (No Incline, LH Incline)	Both Models
	851-3816-.75Z	2	3/8-16 x 3/4" Machine Bolt (No Incline, LH Incline)	Both Models
	822-0038-Z	2	3/8" Split Lock Washer (No Incline, LH Incline)	Both Models
23	110-50B16-1.50-1	2	Coupler Sprocket	Both Models
	35-0006	2	Key	Both Models
24	37-0013-2	2	Coupler Chain	Both Models
25	37-0013-1	2	Coupler Sprocket	Both Models
26	See Page 76	2	12.1 Cubic Inch 2-Bolt Motor	Both Models
	135-2525-1.25-1	2	Key	Both Models
27	M3-1-10-0019	2	Front Belt Discharge Conveyor Floor	Both Models
	803-3118-1Z	16	5/16"-18 x 1" Flat Socket Head Cap Screw	Both Models
	805-0031-Z	16	5/16" Flat Washer	Both Models
	815-3118-Z	16	5/16"-18 Nylon Insert Lock Nut	Both Models
28	49-0156-4-AS	1	Conveyor Belt Lacing Pin Kit	Both Models
29	49-0156-MB	1	Front Conveyor Mini Bite Belt	Both Models
30	M3-1-10-0017-7	2	Front Conveyor Skirt Bracket	Both Models
31	M3-1-10-0018	1	Base Conveyor Front Panel Weldment	Both Models
32	M3-1-8-0028	2	Front Conveyor Shield Mounting Bracket	Both Models
33	M3-1-10-0009	1	Front Conveyor Shield, Left (Flat Sliding Conveyors)	Both Models
	M3-1-8-0012	1	Front Conveyor Shield, Left (Front Incline Conveyors)	Both Models
	M3-1-10-0008	1	Front Conveyor Shield, Right (Flat Sliding Conveyors)	Both Models
	M3-1-8-0013	1	Front Conveyor Shield, Right (Front Incline Conveyors)	Both Models
34	49-0336	2	Base Conveyor Skirting	Both Models

FRONT FLAT & INCLINE BASE BELT CONVEYOR (CONT'D)



KEY	PART NUMBER	QTY	DESCRIPTION	MIXER MODEL
35	M3-1-8-0027	1	Front Conveyor Cylinder Mount (Front Flat Sliding Conveyor Only)	Both Models
	851-5013-1.75Z	2	1/2-13 x 1-3/4" Machine Bolt (Front Flat Sliding Conveyor Only)	Both Models
	810-5013-Z	2	1/2" Spin Lock Nut (Front Flat Sliding Conveyor Only)	Both Models
36	See Page 76	1	2" x 16" x 1-1/8" Hydraulic Cylinder (Front Flat Sliding Conveyor Only)	Both Models
37	M3-1-8-0045	1	Chain Coupler Cover Plate (No Incline, RH Incline)	Both Models
	851-3816-.75Z	2	3/8-16 x 3/4" Machine Bolt (No Incline, RH Incline)	Both Models
	822-0038-Z	2	3/8" Split Lock Washer (No Incline, RH Incline)	Both Models
38	M3-1-8-0046	1	Front Conveyor Motor Mount Weldment (No Incline, RH Incline)	Both Models
	M3-1-5-0044-1	1	Front Conveyor Bearing Mount (LH Incline)	Both Models
39	850-5013-2.25Z	4	1/2-13 x 2-1/4" Carriage Bolt (No Incline, RH Incline)	Both Models
	850-5013-1.75Z	4	1/2-13 x 1-3/4" Carriage Bolt (LH Incline)	Both Models
40	851-3816-.75Z	2	3/8-16 x 3/4" Machine Bolt (No Incline, RH Incline)	Both Models
41	M3-1-8-0047	1	Shaft Cover Weldment (No Incline, RH Incline)	Both Models
42	805-0050-Z	4	1/2" Flat Washer (No Incline, RH Incline)	Both Models
43	M3-1-8-0048	1	Shaft Cover Plate (No Incline, RH Incline)	Both Models
44	822-0038-Z	2	3/8" Split Lock Washer (No Incline, RH Incline)	Both Models
45	810-5013-Z	4	1/2" Spin Lock Nut (No Incline, RH Incline)	Both Models
46	M3-1-8-0053	4	Conveyor Bottom Slide (Flat Sliding Conveyor Only)	Both Models
47	M3-1-8-0052	4	Conveyor Slide Cap (Flat Sliding Conveyor Only)	Both Models
48	851-3816-1.5Z	20	3/8"-16 x 1-1/2" Hex Cap Screw	Both Models
49	M3-1-10-0017-8	2	Front Conveyor Skirt Backer	Both Models
50	M3-1-10-0017-4	1	Floor Seal	Both Models

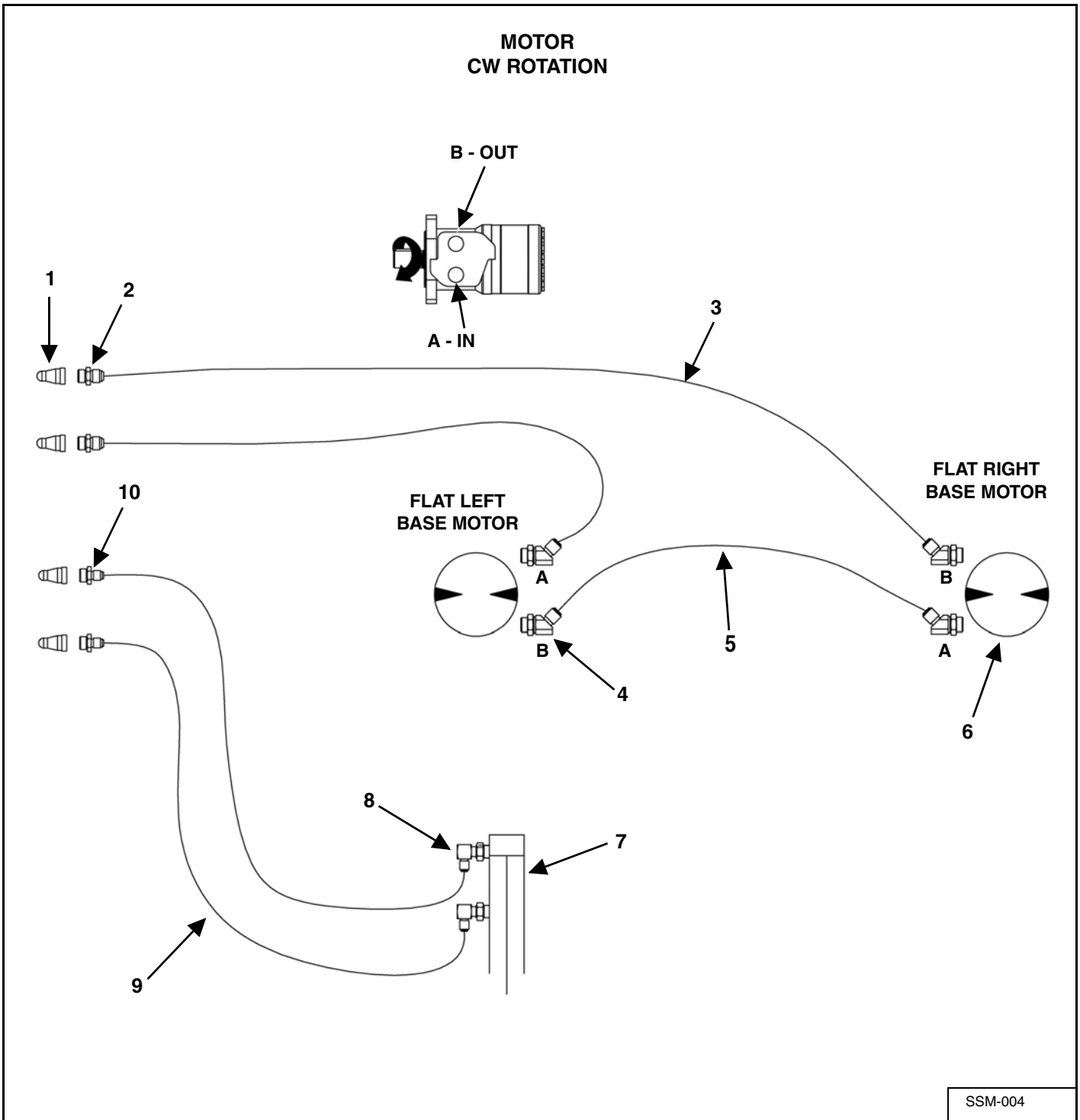
FRONT FLAT & INCLINE BASE BELT CONVEYOR (CONT'D)



KEY	PART NUMBER	QTY	DESCRIPTION	MIXER MODEL
51	M3-1-5-0044-1	1	Front Conveyor Bearing Mount	Both Models
52	810-3816-Z	20	3/8" -16 Spin Lock Nut	Both Models
53	M3-1-8-0053-AS	4	Conveyor Bottom Slide With Cap & Hardware	Both Models

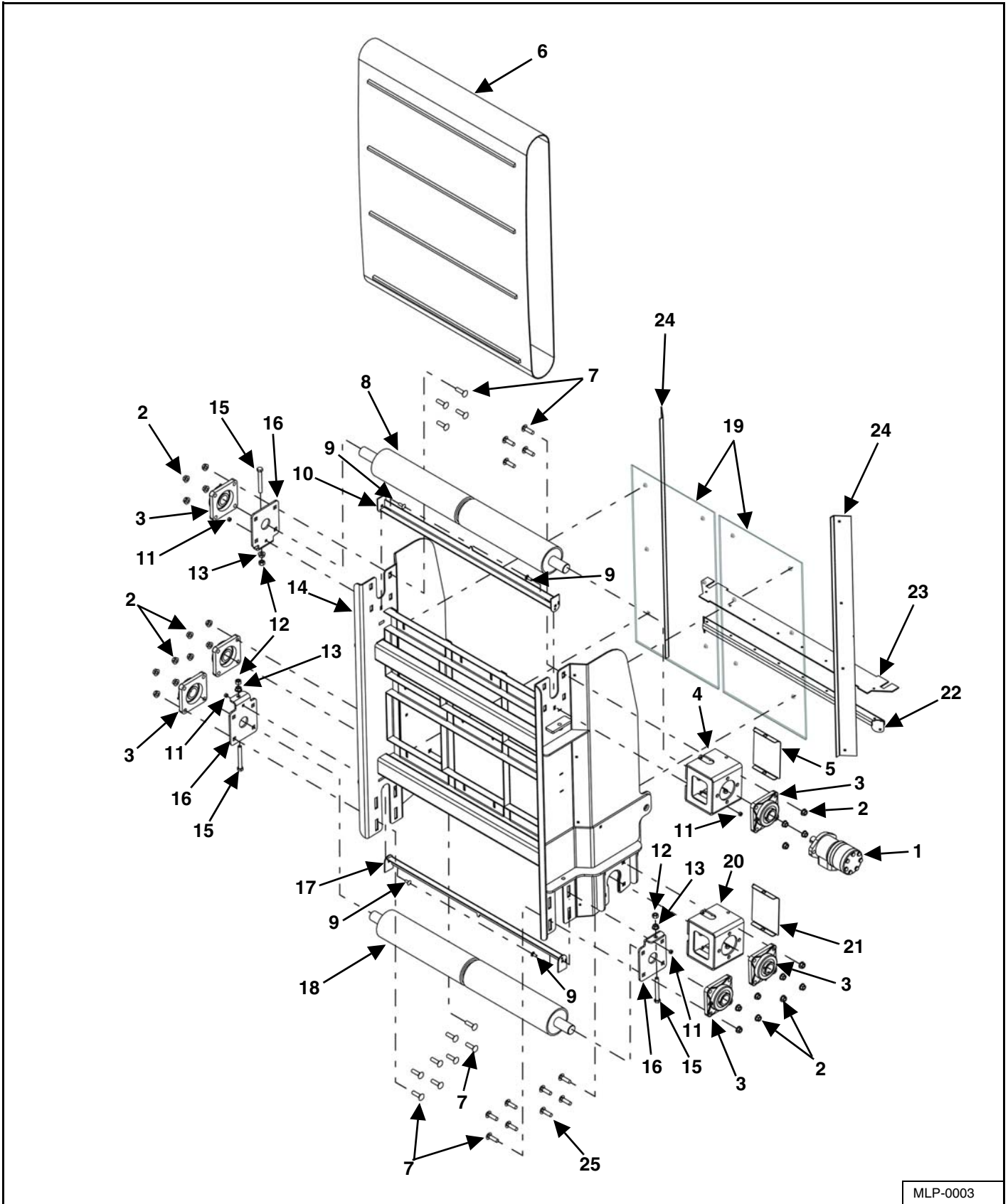


# FRONT FLAT BELT CONVEYOR HYDRAULIC SCHEMATIC



KEY	PART NUMBER	QTY	DESCRIPTION	MIXER MODEL
1	155-8010-15	4	#8 ORB Male Tip 1/2" Body Size	Both Models
2	155-6400-8-8	2	#8 JIC Male, #8 ORB Male Straight Connector	Both Models
3		2	1/2" x " Hose Assembly	Both Models
4	155-6802-8-10	4	#8 JIC Male, #10 ORB Male Adjustable 45°	Both Models
5		1	1/2" x " Hose Assembly	Both Models
6	155-WR-12.1-1	2	12.1 Cubic Inch 2-Bolt Motor	Both Models
	155-WR-SK-1	AR	Motor Seal Kit	Both Models
7	155-2-16-1.125-2	1	2" x 16" x 1-1/8" Hydraulic Cylinder, Modified Port	Both Models
	155-2-1.125-1-DSK	1	Cylinder Seal Kit	Both Models
8	155-6801-6-8	2	#6 JIC Male, #8 ORB Male Adjustable 90°	Both Models
9		2	1/4" x " Hose Assembly	Both Models
10	155-6400-6-8	2	#6 JIC Male, #8 ORB Male Straight Connector	Both Models

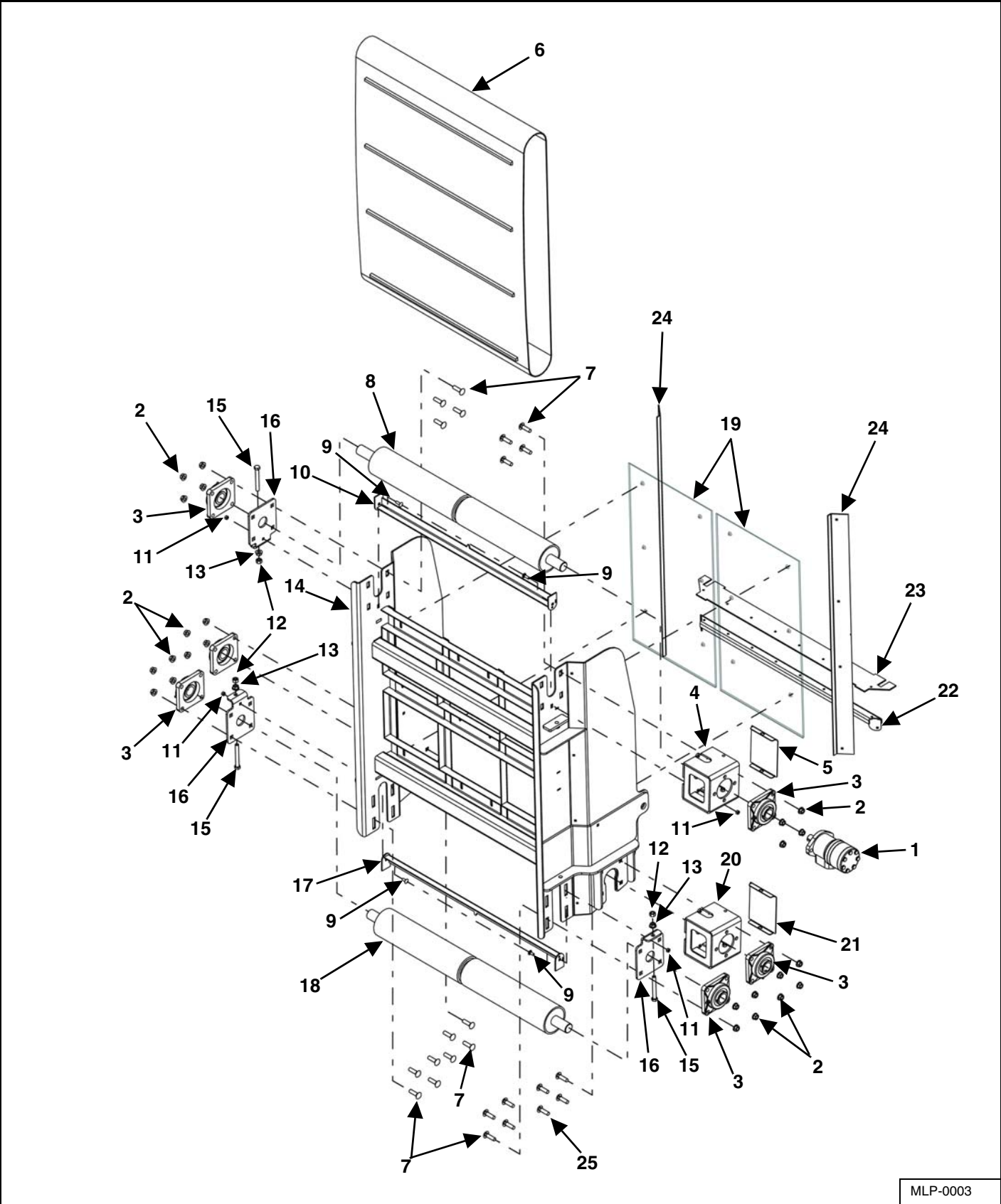
# FRONT INCLINE BELT CONVEYOR



MLP-0003

KEY	PART NUMBER	QTY	DESCRIPTION	MIXER MODEL
0	VSAM-FDB-LI36K	1	36" Front LH Belt Conveyor, Incline Section Only Kit	Both Models
	VSAM-FDB-RI36K	1	36" Front RH Belt Conveyor, Incline Section Only Kit	Both Models
	VSAM-FDB-LI48K	1	48" Front LH Belt Conveyor, Incline Section Only Kit	Both Models
	VSAM-FDB-RI48K	1	48" Front RH Belt Conveyor, Incline Section Only Kit	Both Models
1	See Page 82	1	7.9 Cubic Inch 2-Bolt Motor	Both Models
2	810-5013-Z	24	1/2" Spin Lock Nut	Both Models
3	14-0070	6	1-1/2" 4-Bolt Bearing Narrow Inner Race	Both Models
4	M3-1-5-0049	1	Conveyor Motor Mount Weldment	Both Models
5	M3-1-8-0006	1	Coupler Cover Plate	Both Models
	851-3816-.75Z	2	3/8-16 x 3/4" Machine Bolt	Both Models
	822-0038-Z	2	3/8" Split Lock Washer	Both Models
6	49-0168-MB	1	36" Incline Mini Bite Belt	Both Models
	49-0195-MB	1	48" Incline Mini Bite Belt	Both Models
	49-0156-4-AS	1	Conveyor Belt Lacing Pin Kit	Both Models
7	850-5013-1.75Z	20	1/2-13 x 1-3/4" Carriage Bolt	Both Models
8	23-0251	1	Drive Pulley Urethane Lagged	Both Models
9	850-3118-1Z	4	5/16-18 x 1" Carriage Bolt	Both Models
10	M3-1-8-0017	1	Conveyor Drive Pulley Scraper Prior to SN 17VS (0425205, 0510203)	Both Models
	M3-1-10-0023	1	Conveyor Pulley Scraper SN 17VS (0425205, 0510203) & Later	Both Models
11	814-3118-Z	4	5/16-18 Indented Lock Nut	Both Models
12	813-5013-Z	3	1/2-13 Nut	Both Models
13	810-5013-Z	3	1/2" Spin Lock Nut	Both Models
14	M3-1-5-0041-1	1	36" Front Incline Belt Conveyor, Incline Frame Weldment	Both Models
	M3-1-5-0051-1	1	48" Front Incline Belt Conveyor, Incline Frame Weldment	Both Models
15	830-5013-4Z	3	1/2-13 x 4" Tap Bolt Full Threaded	Both Models
16	M3-1-5-0044-1	3	Front Conveyor Bearing Mount	Both Models
17	M3-1-8-0016	1	Conveyor Idler Pulley Scraper Prior to SN 17VS (0425205, 0510203)	Both Models
	M3-1-10-0023	1	Conveyor Pulley Scraper SN 17VS (0425205, 0510203) & Later	Both Models

FRONT INCLINE BELT CONVEYOR (CONT'D)

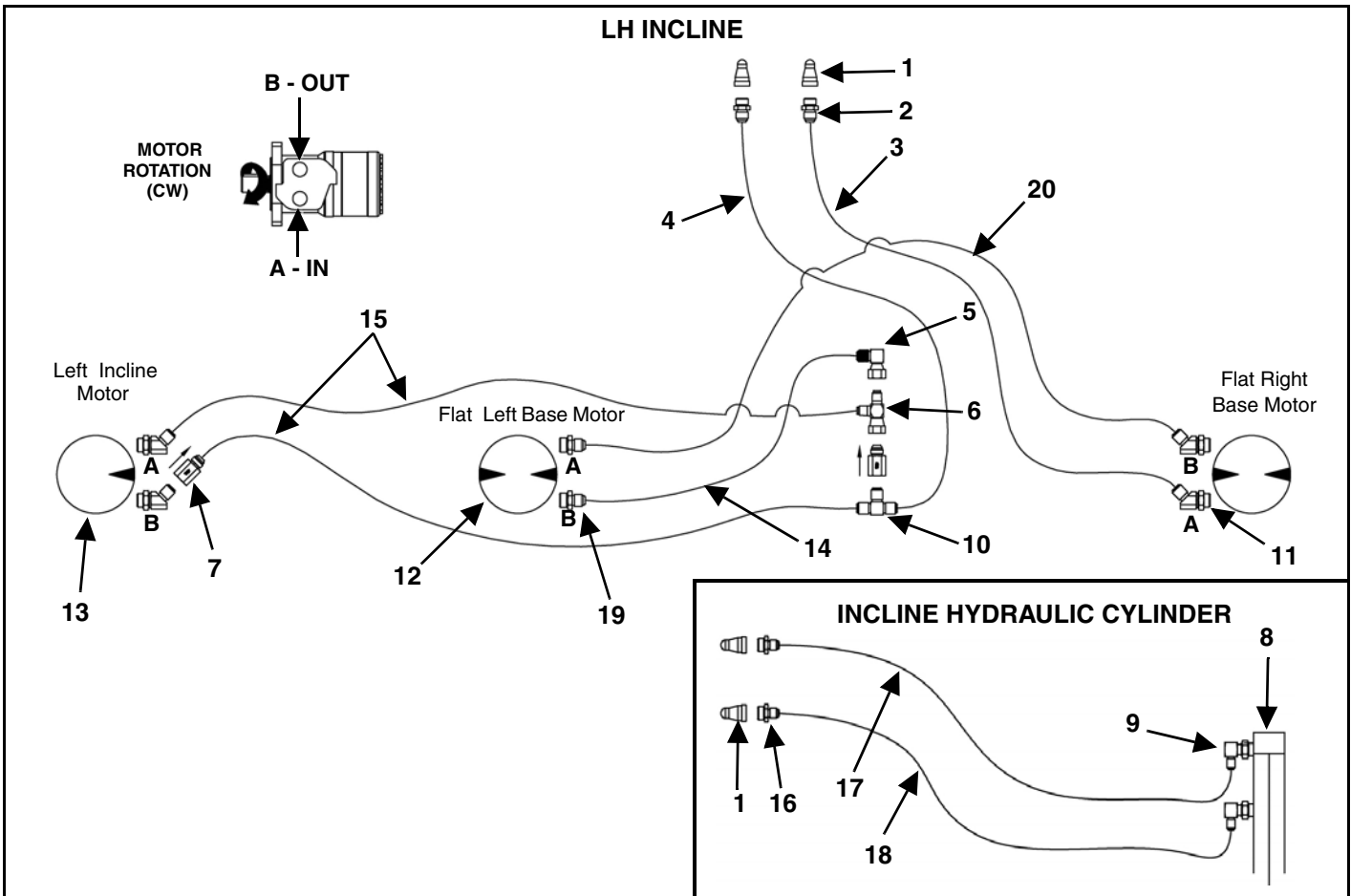


MLP-0003

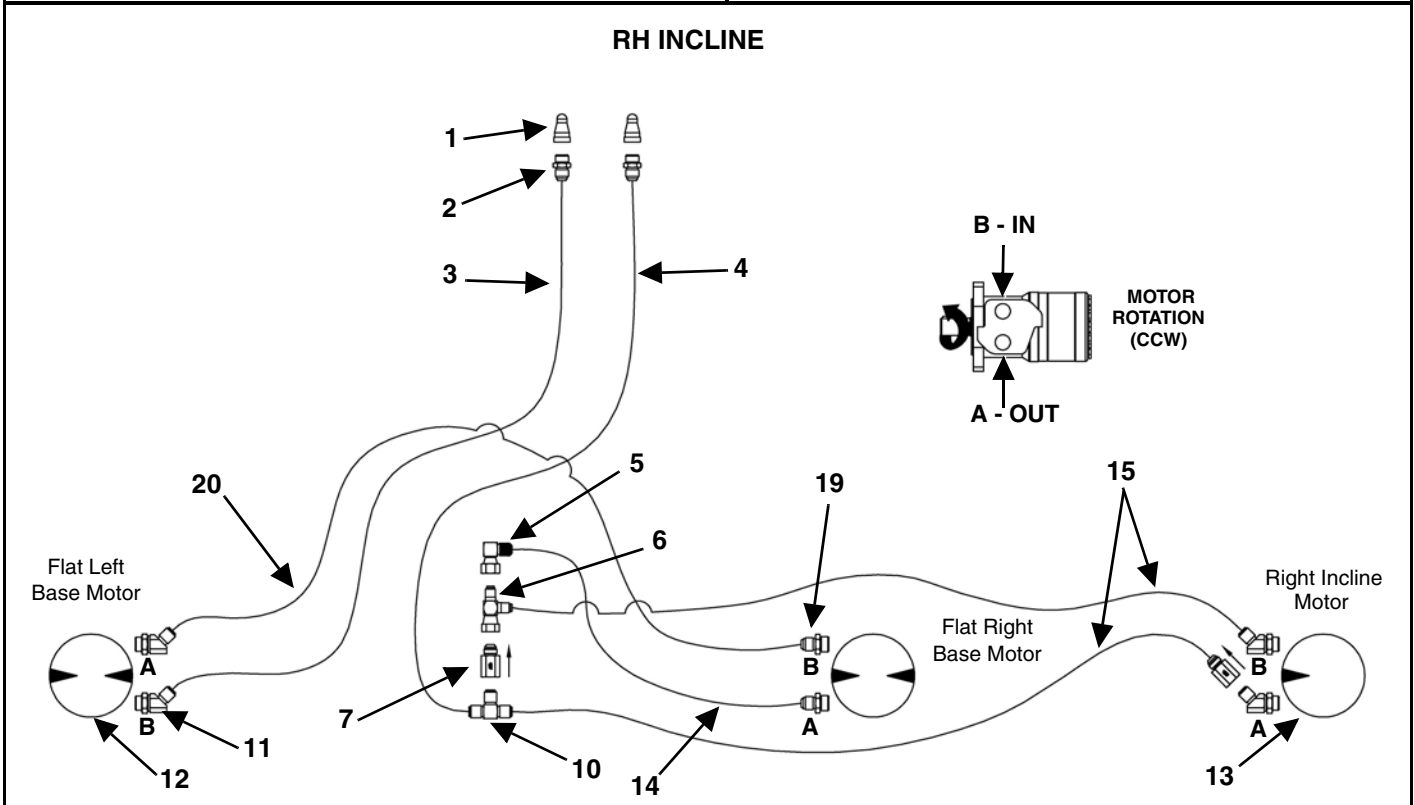
KEY	PART NUMBER	QTY	DESCRIPTION	MIXER MODEL
18	23-0257	1	Idler Pulley	Both Models
19	M3-1-4-0036	2	36" Incline Floor	Both Models
	M3-1-4-0048	2	48" Incline Floor	Both Models
20	M3-1-8-0034	1	Conveyor Motor Mount Weldment	Both Models
21	M3-1-8-0006	1	Coupler Cover Plate	Both Models
22	M3-1-5-0041-3	1	Incline Belt Conveyor Seal Weldment	Both Models
23	49-0241	1	Incline Belt Conveyor Seal	Both Models
24	M3-1-5-0041-2	2	36" Incline Conveyor Side Skirt Bracket	Both Models
	M3-1-5-0051-2	2	48" Incline Conveyor Side Skirt Bracket	Both Models
	49-0169	2	36" Incline Conveyor Side Skirting	Both Models
	49-0194	2	48" Incline Conveyor Side Skirting	Both Models
25	850-5013-2Z	4	Carriage Bolt 1/2-13 x 2"	Both Models

# FRONT INCLINE BELT CONVEYOR HYDRAULIC SCHEMATIC

## LH INCLINE



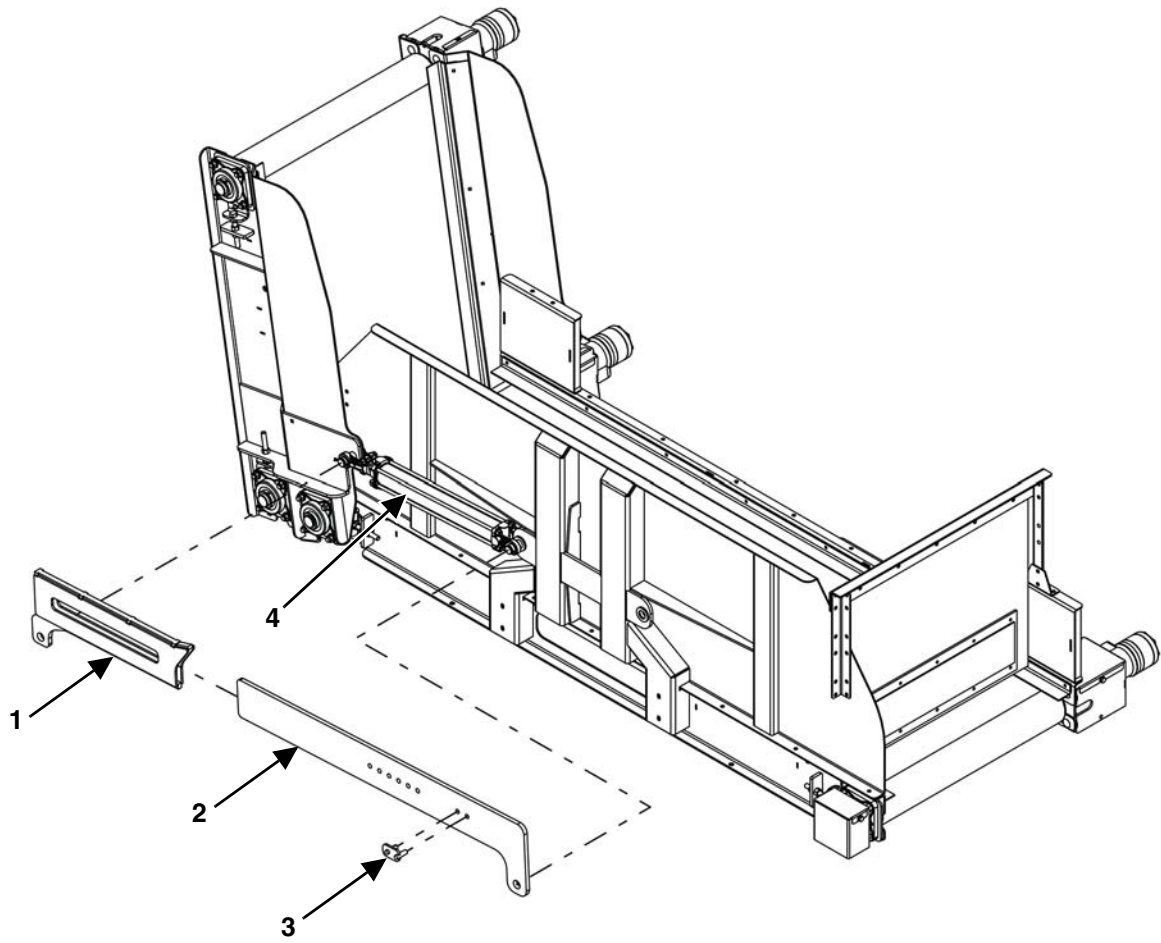
## RH INCLINE





KEY	PART NUMBER	QTY	DESCRIPTION	MIXER MODEL
1	155-8010-15	4	#8 ORB Male Tip 1/2" Body Size	Both Models
2	155-6400-8-8	2	#8 JIC Male, #8 ORB Male Straight Connector	Both Models
3	155-08R17-208-1	1	1/2" x 208" Hose Assembly	Both Models
4	155-08R17-166-1	1	1/2" x 166" Hose Assembly	Both Models
5	155-6500-08-08	1	#8 JIC Male, #8 JIC Female Swivel 90°	Both Models
6	155-6602-08-08-08	1	#8 MJ x #8 FJS x #8 MJ Tee	Both Models
7	155-CV-8-1	2	Check Valve	Both Models
8	155-2-16-1.125-2	1	2" x 16" x 1-1/8" Hydraulic Cylinder	Both Models
	155-2-1.125-1-DSK	1	Cylinder Seal Kit	Both Models
9	155-6801-6-8-55	2	#6 x #8 90° Adjustable Elbow with 0.055" Orifice	Both Models
10	155-2603-08-08-08	1	#8 x #8 x #8 JIC Male Tube Tee	Both Models
11	155-6802-8-10	4	#8 JIC Male, #10 ORB Male Adjustable 45°	Both Models
12	155-WR-12.1-1	2	12.1 Cubic Inch 2-Bolt Motor	Both Models
	155-WR-SK-1	AR	Motor Seal Kit	Both Models
13	155-WR-7.9-1	1	7.9 Cubic Inch 2-Bolt Motor	Both Models
	155-WR-SK-1	AR	Motor Seal Kit	Both Models
14	155-08R17-57-1	1	1/2" x 57" Hose Assembly	Both Models
15		2	1/2" x " Hose Assembly (36" Incline)	Both Models
	155-08R17-109-1	2	1/2" x 109" Hose Assembly (48" Incline)	Both Models
16	155-6400-6-8	2	#6 x JIC Male Tube #8 ORB Male Straight Connector	Both Models
17	155-04R17-102-1	1	1/4" x 102" Hose Assembly	Both Models
18	155-04R17-121-1	1	1/4" x 121" Hose Assembly	Both Models
19	155-6400-08-10	1	#8 JIC Male, #10 ORB Male Straight Connector	Both Models
20	155-08R17-109-1	1	1/2" x 109" Hose Assembly	Both Models

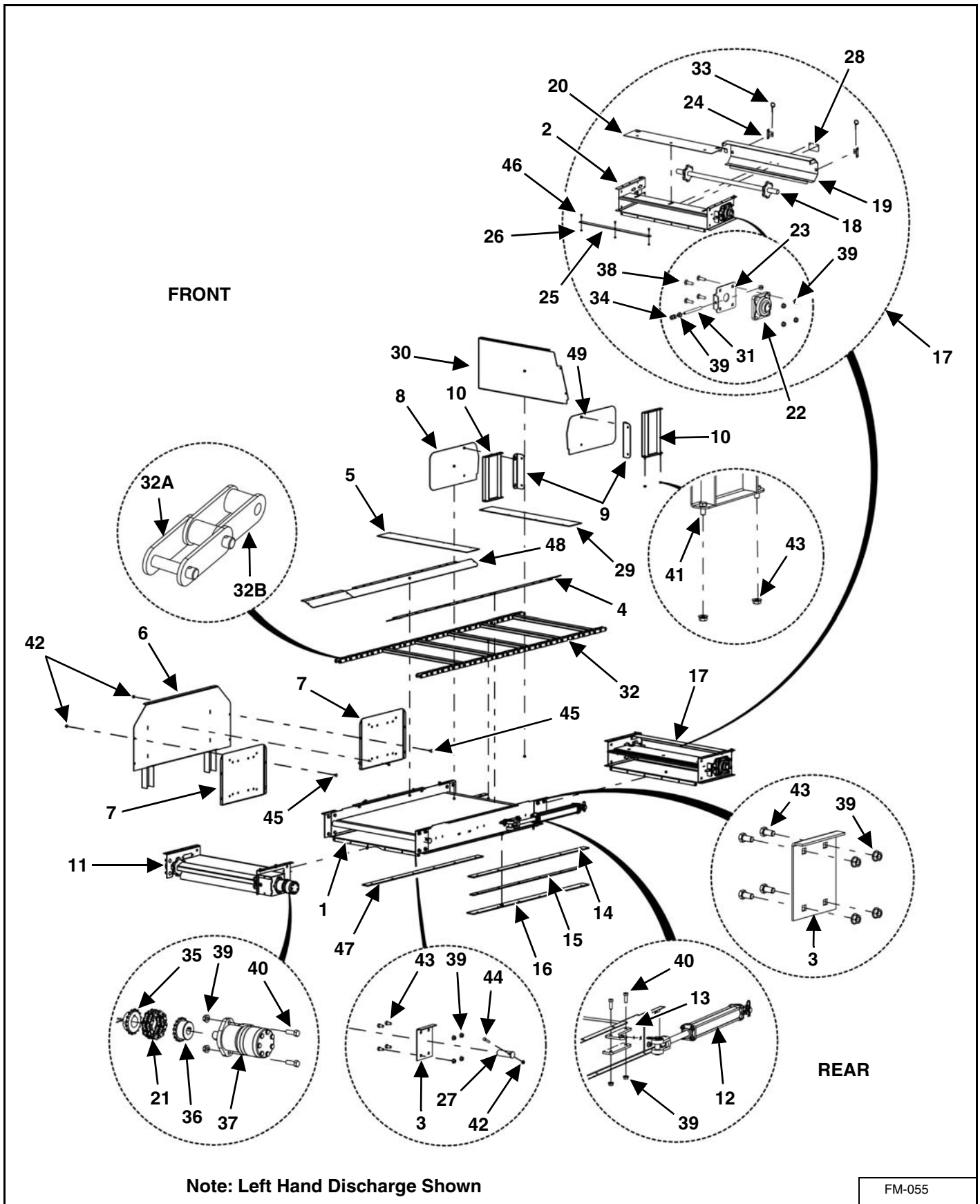
# FRONT INCLINE BELT CONVEYOR STOP



FM-066A

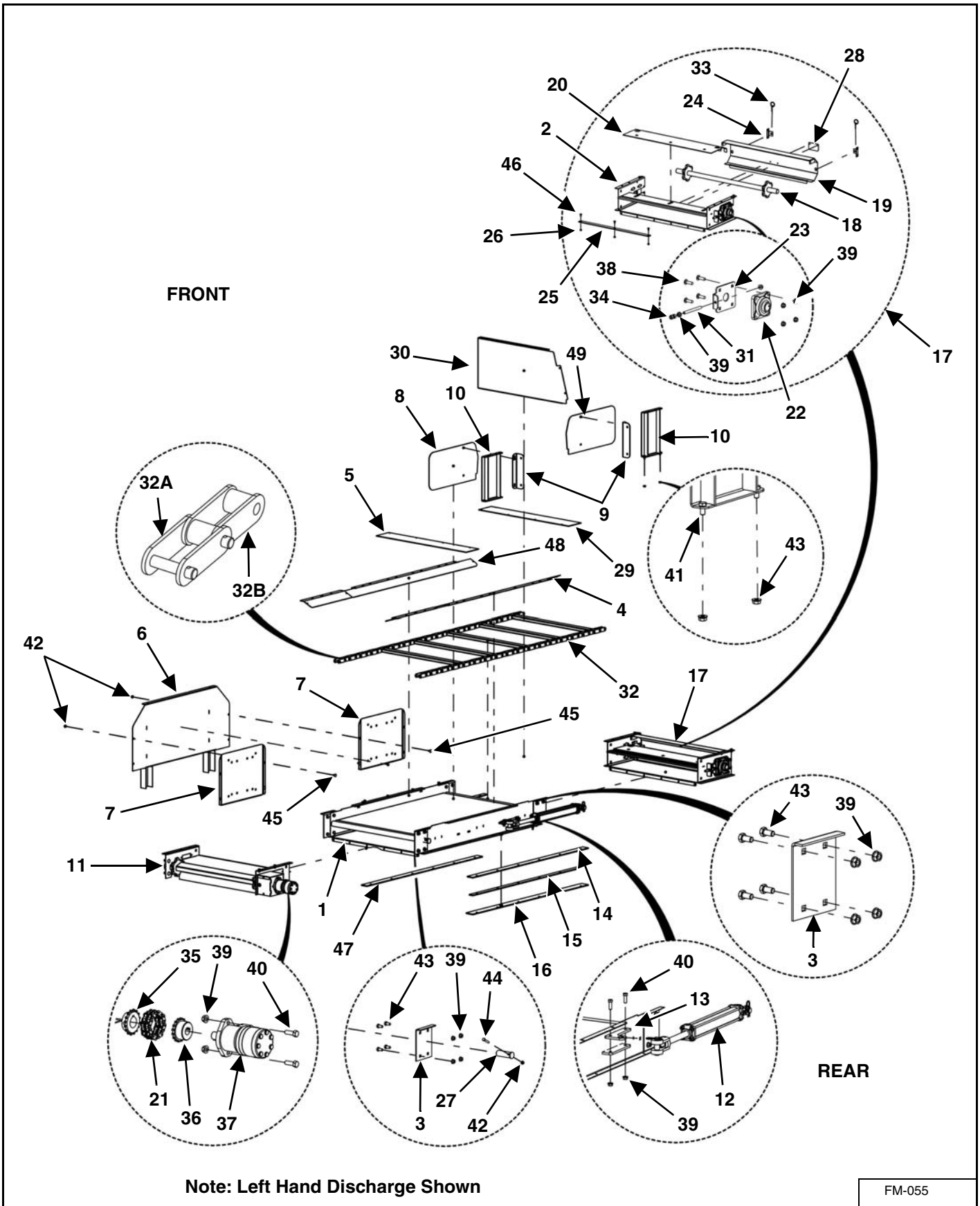
KEY	PART NUMBER	QTY	DESCRIPTION	MIXER MODEL
0	VA-IBCS	1	Incline Belt Conveyor Stop	Both Models
1	M3-1-5-0070	1	Incline Conveyor Stop Slider Weldment	Both Models
2	M3-1-5-0052	1	Incline Conveyor Stop Bar	Both Models
3	M3-1-5-0055	1	Belt Conveyor Stop Weldment	Both Models
	32-0019	1	Hair Spring Cotter Pin	Both Models
4	See Page 82	1	2" x 16" x 1-1/8" Hydraulic Cylinder	Both Models

# FRONT FLAT & INCLINE BASE CHAIN CONVEYOR ASSEMBLY



KEY	PART NUMBER	QTY	DESCRIPTION	MIXER MODEL
1	M3-1-10-0003	1	Front Conveyor-Center Section Weldment, Flat	Both Models
2	M3-1-5-0002-1	1	Front Conveyor Panel Weldment	Both Models
3	M3-1-7-0014	4	Front Conveyor Connecting Plate	Both Models
4	M3-1-10-0005	1	Conveyor Chain Cover, Flat (LH Discharge-Rear, RH Discharge-Front)	Both Models
5	49-0185	1	Front Right Discharge Conveyor Chain Cover, Incline	Both Models
6	M3-1-10-0004	1	Front Conveyor Panel Weldment	Both Models
7	M3-1-5-0010	1	Front Conveyor Panel	Both Models
8	MS3-1-4-0003	1	Front Conveyor Shield, Incline (Left Discharge)	Both Models
9	M3-1-8-0028	2	Front Shield Mounting Bracket	Both Models
10	M3-1-10-0010	2	Conveyor Shield Assembly	Both Models
11	See Page 90	1	Front Flat & Incline Conveyor Assembly	Both Models
12	See Page 92	1	Hydraulic Cylinder	Both Models
	33-0309	1	Cylinder Pin Spacer, Flat & Incline	Both Models
13	M3-1-8-0027	1	Front Conveyor Cylinder Mount	Both Models
14	M3-1-8-0009	2	Conveyor Slide Cap	Both Models
15	M3-1-8-0008	1	Conveyor Middle Slide Rear	Both Models
16	M3-1-8-0007	2	Conveyor Bottom Slide	Both Models
17	M3-1-5-0002	1	Front Conveyor Extension Assembly	Both Models
18	23-0255	1	Conveyor Idler Shaft Assembly	Both Models
19	M3-1-7-0005	1	Conveyor Extension Chain Guard	Both Models
20	M3-1-7-0013	1	Extension Sprocket Cover	Both Models
21	37-0013-2	1	Unit Coupler Chain #50 16 Double W/Connector	Both Models
22	14-0070	4	1-1/2" 4 Bolt Bearing	Both Models
23	M3-1-8-0002	2	Front Conveyor Bearing Mount	Both Models
24	M3-1-7-0034	2	Conveyor Extension Cover Latch	Both Models
25	M3-1-4-0029	1	36" Extension Adjustment Bracket Weldment	Both Models

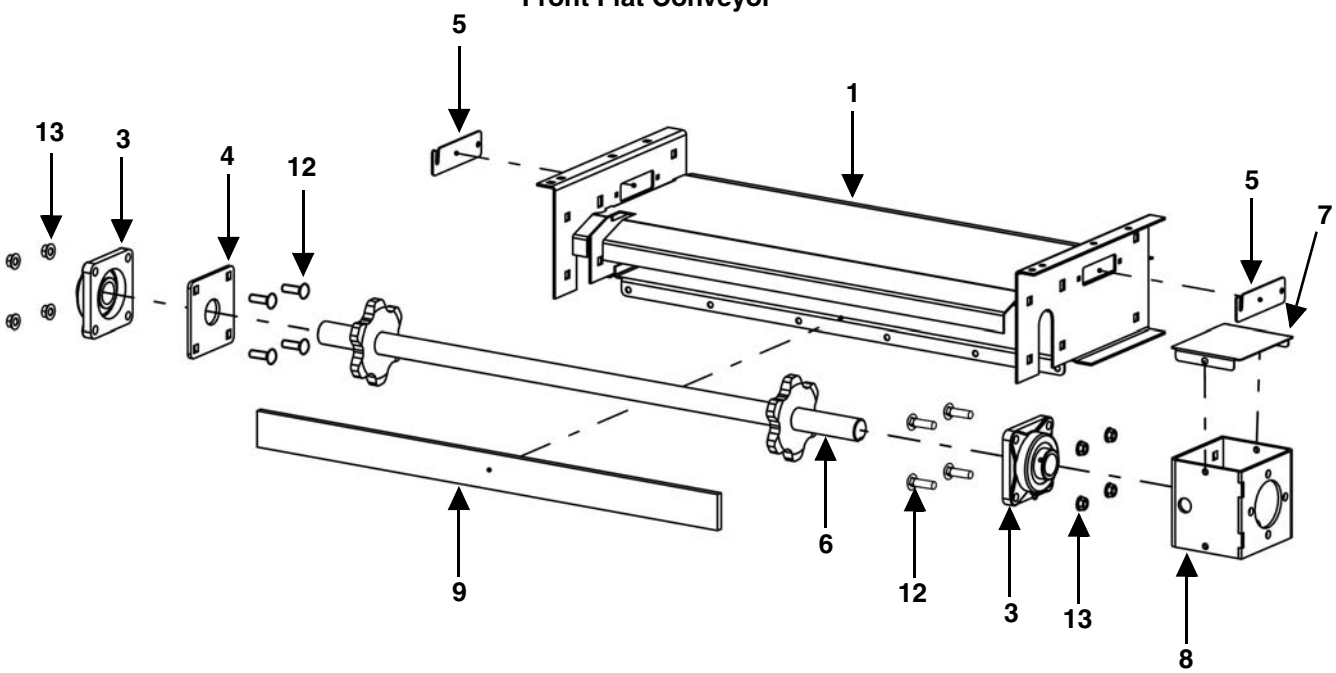
FRONT FLAT & INCLINE BASE CHAIN CONVEYOR ASSEMBLY (CONT'D)



KEY	PART NUMBER	QTY	DESCRIPTION	MIXER MODEL
26	813-3118	3	5/16-18 Hex Nut Plain	Both Models
27	M3-1-5-0004-2	2	Hinge Pin, Incline	Both Models
28	M3-1-7-0005-2	1	Conveyor Extension Cover Handle	Both Models
29	49-0184	1	Front Left Discharge Conveyor Chain Cover, Incline	Both Models
30	M3-1-10-0001	1	Conveyor Cross Panel – Incline	Both Models
31	830-5013-4Z	2	Tap Bolt, 1/2-13 x 4”	Both Models
32	11-0506	1	Front Discharge, 36” Flat Conveyor 81x Chain	Both Models
32A	11-0272-4	AR	81X Connector Link	Both Models
32B	11-0272-5	AR	81X Offset Link	Both Models
33	823-0003	2	Lynch Pin 3/16” x 1-1/4”	Both Models
34	813-5013-Z	4	1/2-13 Nut	Both Models
35	110-50B16-1.50-1	1	Chain Coupler Sprocket 1.5 Bore x .375” Keyway	Both Models
36	37-0013-1	1	Unit Coupler 1” Bore 1/4” Keyway	Both Models
37	See Page 92	1	12.1 Cubic Inch 2-Bolt Motor	Both Models
38	850-5013-1.75Z	16	1/2-13 x 1-3/4” Carriage Bolt, Grade 5	Both Models
39	810-5013-Z	28	1/2” Spin Lock Nut	Both Models
40	851-5013-1.5Z	4	1/2-13 x 1-1/2” Bolt	Both Models
41	851-3816-.75Z	4	3/8-16 x 3/4” Grade 5 Machine Bolt	Both Models
42	810-3816-Z	10	3/8 Spin Lock Nut	Both Models
43	851-5013-1Z	16	1/2-13 x 1” Bolt	Both Models
44	851-3816-2Z	2	3/8-16 x 2” Grade 5 Machine Bolt	Both Models
45	850-3816-.75Z	4	3/8-16 x 3/4” Grade 5 Carriage Bolt	Both Models
46	803-3118-.75Z	3	5/16-18 x 3/4” Flat Head Socket Cap Screw	Both Models
47	M3-1-8-0035	1	Conveyor Middle Slide Front	Both Models
48	M3-1-10-0011	1	Conveyor Chain Cover, Flat (LH Discharge-Front, RH Discharge-Rear)	Both Models
49	MS3-1-4-0002	1	Front Conveyor Shield, Incline (Left Discharge)	Both Models

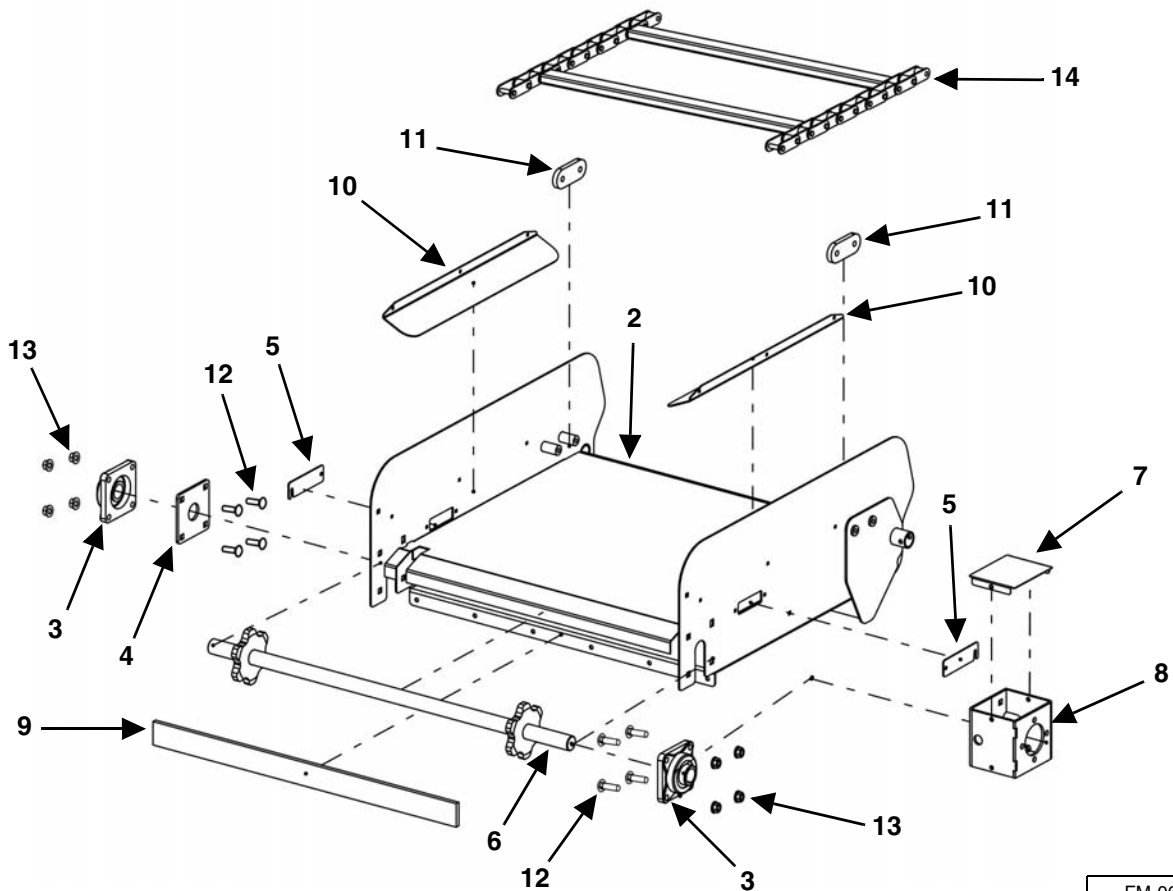
# FRONT FLAT & FRONT INCLINE CONVEYORS

## Front Flat Conveyor



FM-060

## Front Incline Conveyor

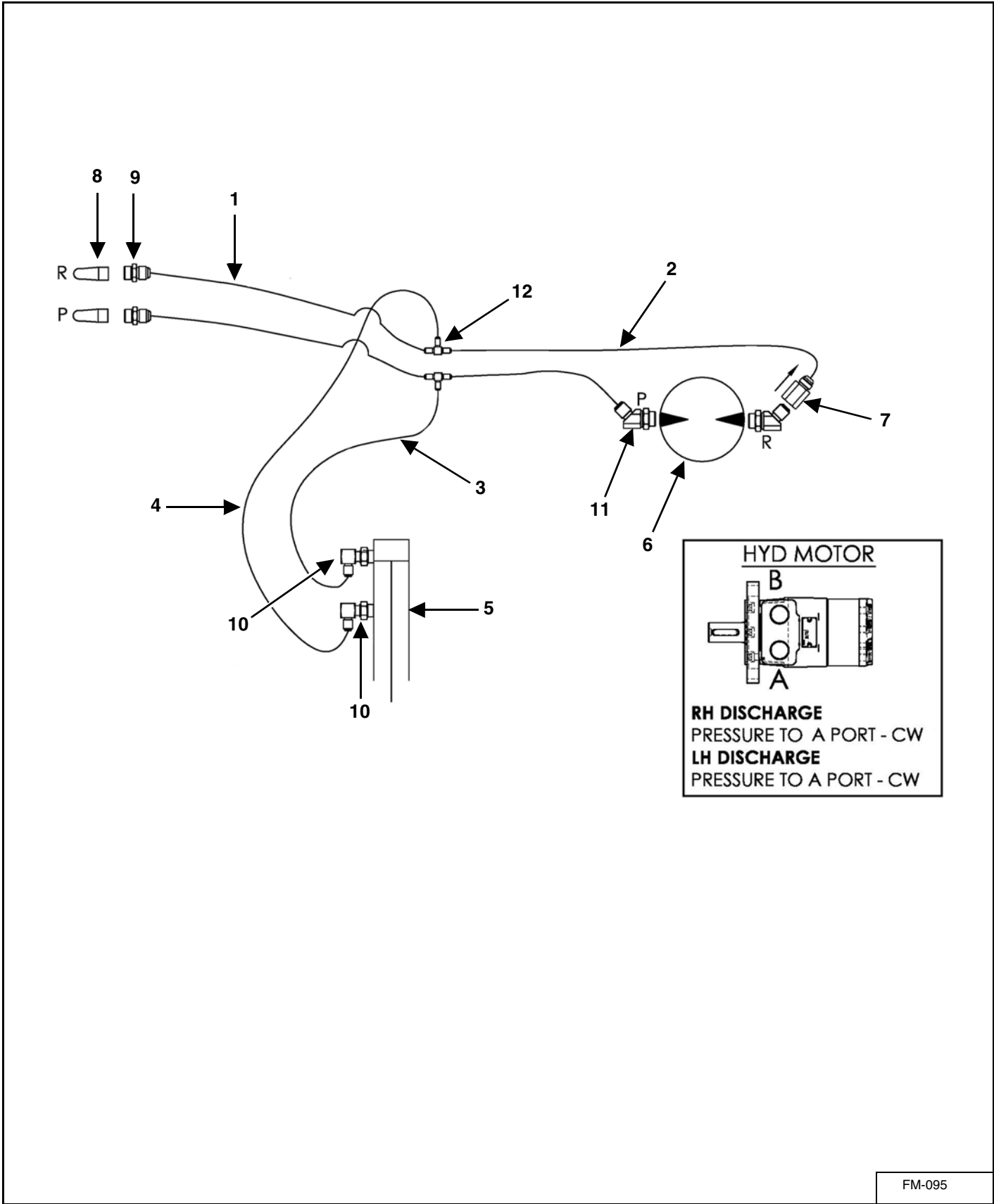


FM-065



KEY	PART NUMBER	QTY	DESCRIPTION	MIXER MODEL
0	M3-1-5-0003	1	36" Wide Front Flat Conveyor Assembly	Both Models
	M3-1-5-0032	1	Front Incline Conveyor Assembly (36" x 24" Conveyor)	Both Models
	M3-1-5-0033	1	Front Incline Conveyor Assembly (36" x 36" Conveyor)	Both Models
	M3-1-5-0034	1	Front Incline Conveyor Assembly (36" x 48" Conveyor)	Both Models
	M3-1-5-0036	1	Front Incline Conveyor Assembly (36" x 60" Conveyor)	Both Models
1	M3-1-5-0003-1	1	36" Front Conveyor Ext Weldment-Flat Drive End	Both Models
2	M3-1-5-0032-1	1	Front Incline Conveyor Weldment (36" x 24" Conveyor)	Both Models
	M3-1-5-0033-1	1	Front Incline Conveyor Weldment (36" x 36" Conveyor)	Both Models
	M3-1-5-0034-1	1	Front Incline Conveyor Assembly (36" x 48" Conveyor)	Both Models
	M3-1-5-0036-1	1	Front Incline Conveyor Assembly (36" x 60" Conveyor)	Both Models
3	14-0070	4	1-1/2" 4-Bolt Bearing	Both Models
4	M3-1-4-0002	1	Extension Bearing Mount Plate	Both Models
5	M3-1-4-0015-2	2	Chute Cover	Both Models
6	23-0254	1	36" Wide Conveyor Drive Shaft Weldment, Flat	Both Models
	23-0262	1	36" Wide Conveyor Drive Shaft Weldment, Incline	Both Models
7	M3-1-8-0006	1	Coupler Cover Plate	Both Models
8	M3-1-8-0034	1	Front Conveyor Motor Bracket	Both Models
9	49-0181	1	Front Chain Conveyor Belt	Both Models
10	M3-1-5-0011-2	2	Conveyor Chain Cover, Incline (24" Conveyor)	Both Models
	M3-1-5-0025	2	Conveyor Chain Cover, Incline (36" Conveyor)	Both Models
	M3-1-5-0014	2	Conveyor Chain Cover, Incline (48" Conveyor)	Both Models
	M3-1-4-0045-2	2	Conveyor Chain Cover, Incline (60" Conveyor)	Both Models
11	M3-1-7-0006	2	Chain Hold Down Plate	Both Models
12	850-5013-1.75Z	8	1/2 – 13 x 1-3/4" Carriage Bolt, Grade 5	Both Models
13	810-5013-Z	8	1/2" Spin Lock Nut	Both Models
14	11-0507	1	Incline Ext. 81X Chain Assembly (36" x 24" Conveyor)	Both Models
	11-0508	1	Incline Ext. 81X Chain Assembly (36" x 36" Conveyor)	Both Models
	11-0509	1	Incline Ext. 81X Chain Assembly (36" x 48" Conveyor)	Both Models
	11-0510	1	Incline Ext. 81X Chain Assembly (36" x 60" Conveyor)	Both Models

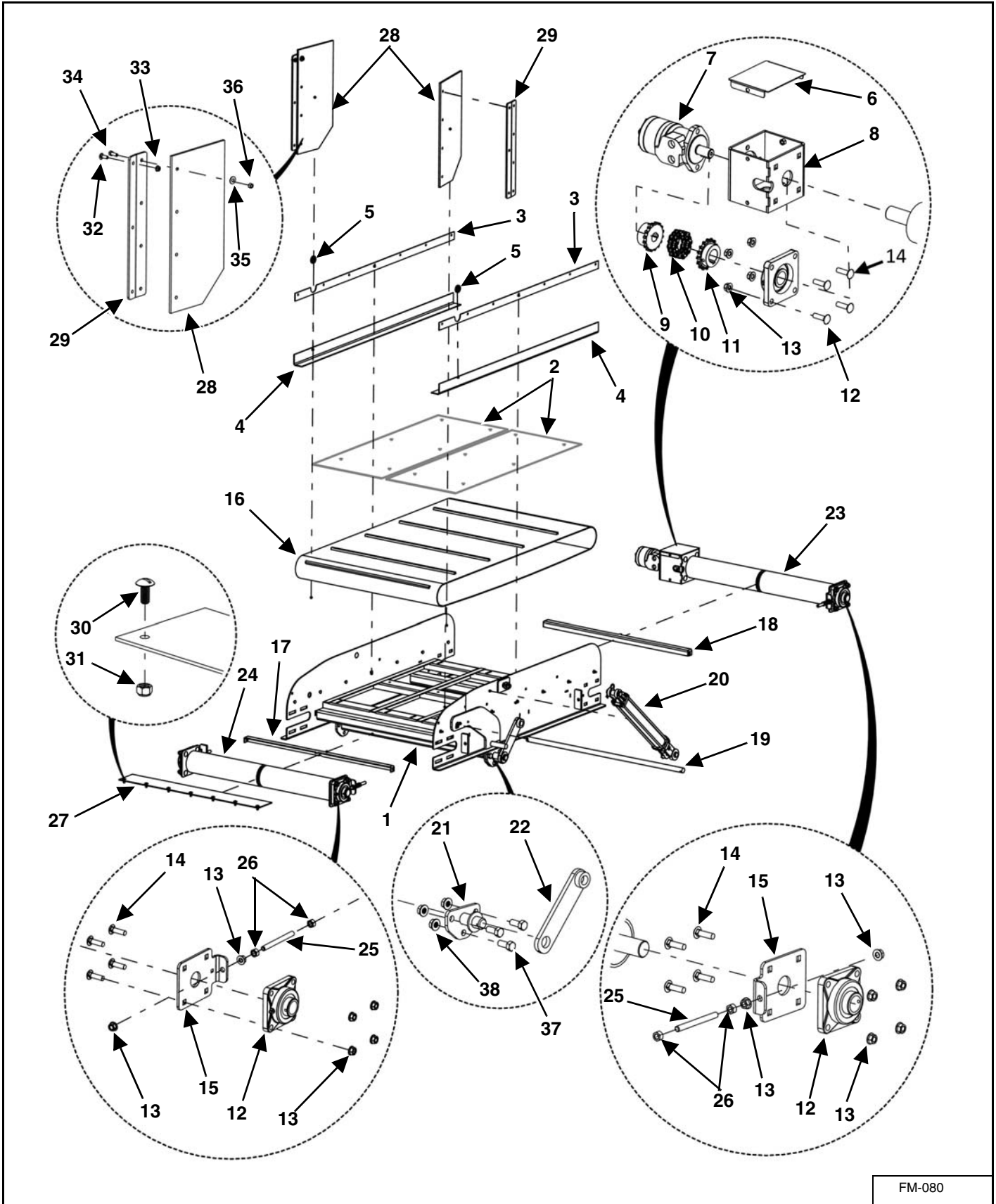
**FRONT DISCHARGE INCLINE CHAIN CONVEYOR HYDRAULIC SCHEMATIC  
(36" X 36")**



FM-095

KEY	PART NUMBER	QTY	DESCRIPTION	MIXER MODEL
1		2	1/2" x " Hose Assembly	Both Models
2		2	1/2" x " Hose Assembly	Both Models
3		1	1/4" x " Hose Assembly	Both Models
4		1	1/4" x " Hose Assembly	Both Models
5	155-2-8-1.125-1	1	2" x 8" x 1-1/8" Hydraulic Cylinder	Both Models
6	155-WR-12.1-1	1	12.1 Cubic Inch 2-Bolt Motor	Both Models
	155-WR-SK-1	1	Motor Seal Kit	Both Models
7	155-CV-8-1	1	Check Valve	Both Models
8	155-8010-15	2	#8 ORB Male Tip 1/2" Body Size	Both Models
9	155-6400-8-8	2	#8 JIC Male, #8 ORB Male Straight Connector	Both Models
10	155-6801-6-8-55	2	#6 x #8 90° Adj Elbow With .055" Orifice	Both Models
11	155-6802-8-10	2	#8 JIC Male, #10 ORB Male Adjustable 45°	Both Models
12	155-2603-08-08-06	2	#8 x #8 x #8 JIC Male Tube Tee	Both Models

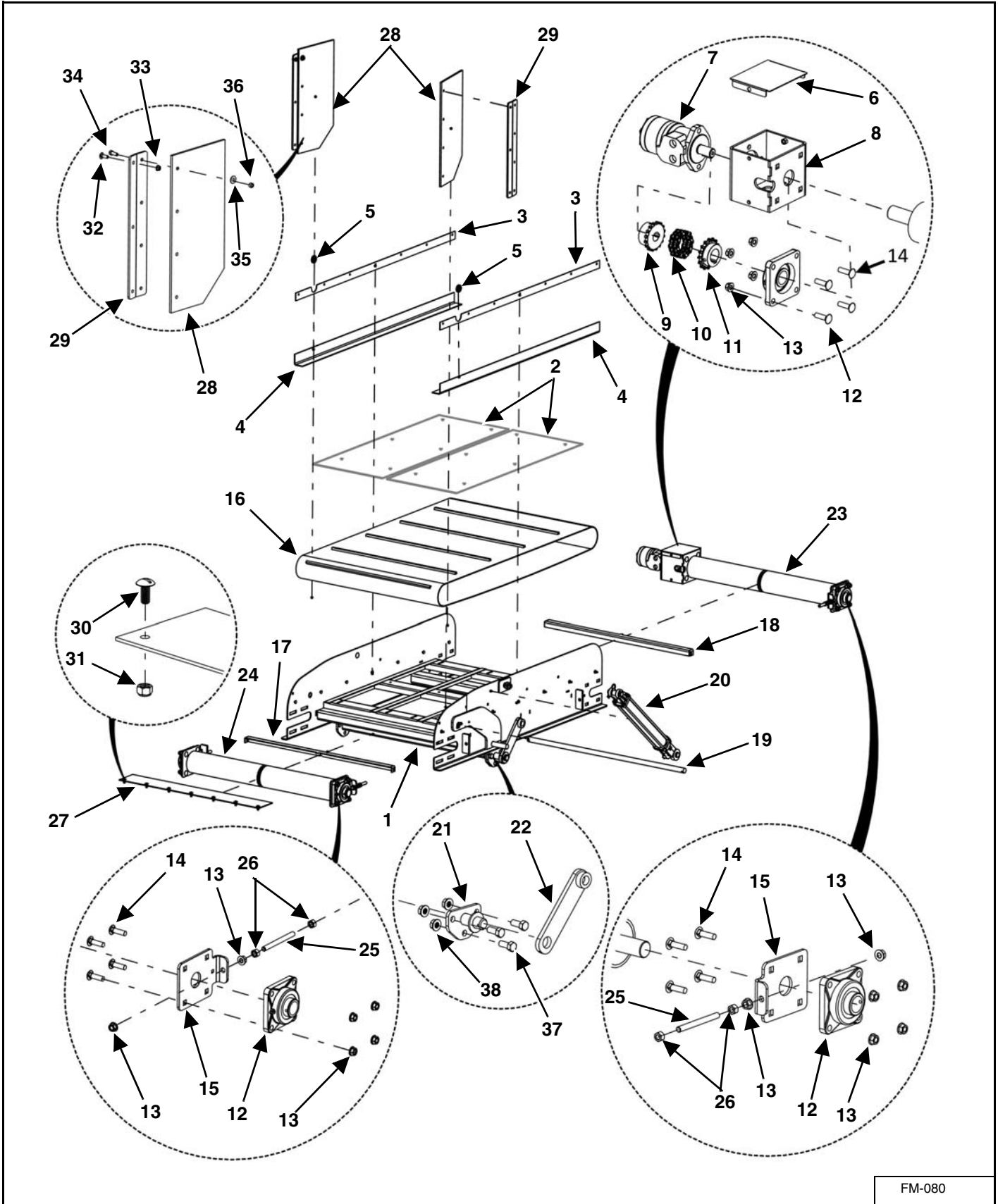
# SIDE DISCHARGE BELT CONVEYOR



FM-080

KEY	PART NUMBER	QTY	DESCRIPTION	MIXER MODEL
0	VSAM-DBI-36-24-SL	1	36" x 24" Belt Conveyor Complete Side Left	Both Models
	VSAM-DBI-36-24-SR	1	36" x 24" Belt Conveyor Complete Side Right	Both Models
	VSAM-DBI-36-36-SL	1	36" x 36" Belt Conveyor Complete Side Left	Both Models
	VSAM-DBI-36-36-SR	1	36" x 36" Belt Conveyor Complete Side Right	Both Models
	VSAM-DBI-36-48-SL	1	36" x 48" Belt Conveyor Complete Side Left	Both Models
	VSAM-DBI-36-48-SR	1	36" x 48" Belt Conveyor Complete Side Right	Both Models
1	M3-1-4-0073-1	1	36" x 24" Belt Conveyor Frame Weldment	Both Models
	M3-1-4-0035-1	1	36" x 36" Belt Conveyor Frame Weldment	Both Models
	M3-1-4-0047-1	1	36" x 48" Belt Conveyor Frame Weldment	Both Models
2	M3-1-4-0075	2	Side Belt Discharge Conveyor Floor (36" x 24" Belt Conveyor)	Both Models
	M3-1-4-0036	2	Side Belt Discharge Conveyor Floor (36" x 36" Belt Conveyor)	Both Models
	M3-1-4-0048	2	Side Belt Discharge Conveyor Floor (36" x 48" Belt Conveyor)	Both Models
3	M3-1-4-0074	2	Conveyor Skirt Backer (36" x 24" Belt Conveyor)	Both Models
	M3-1-4-0037	2	Conveyor Skirt Backer (36" x 36" Belt Conveyor)	Both Models
	M3-1-4-0049	2	Conveyor Skirt Backer (36" x 48" Belt Conveyor)	Both Models
4	49-0231	2	24" Side Conveyor Skirting	Both Models
	49-0169	2	36" Side Conveyor Skirting	Both Models
	49-0194	2	48" Side Conveyor Skirting	Both Models
5	M3-1-7-0035-1-5	2	Pivot Spacer	Both Models
6	M3-1-8-0006	1	Coupler Cover Plate	Both Models

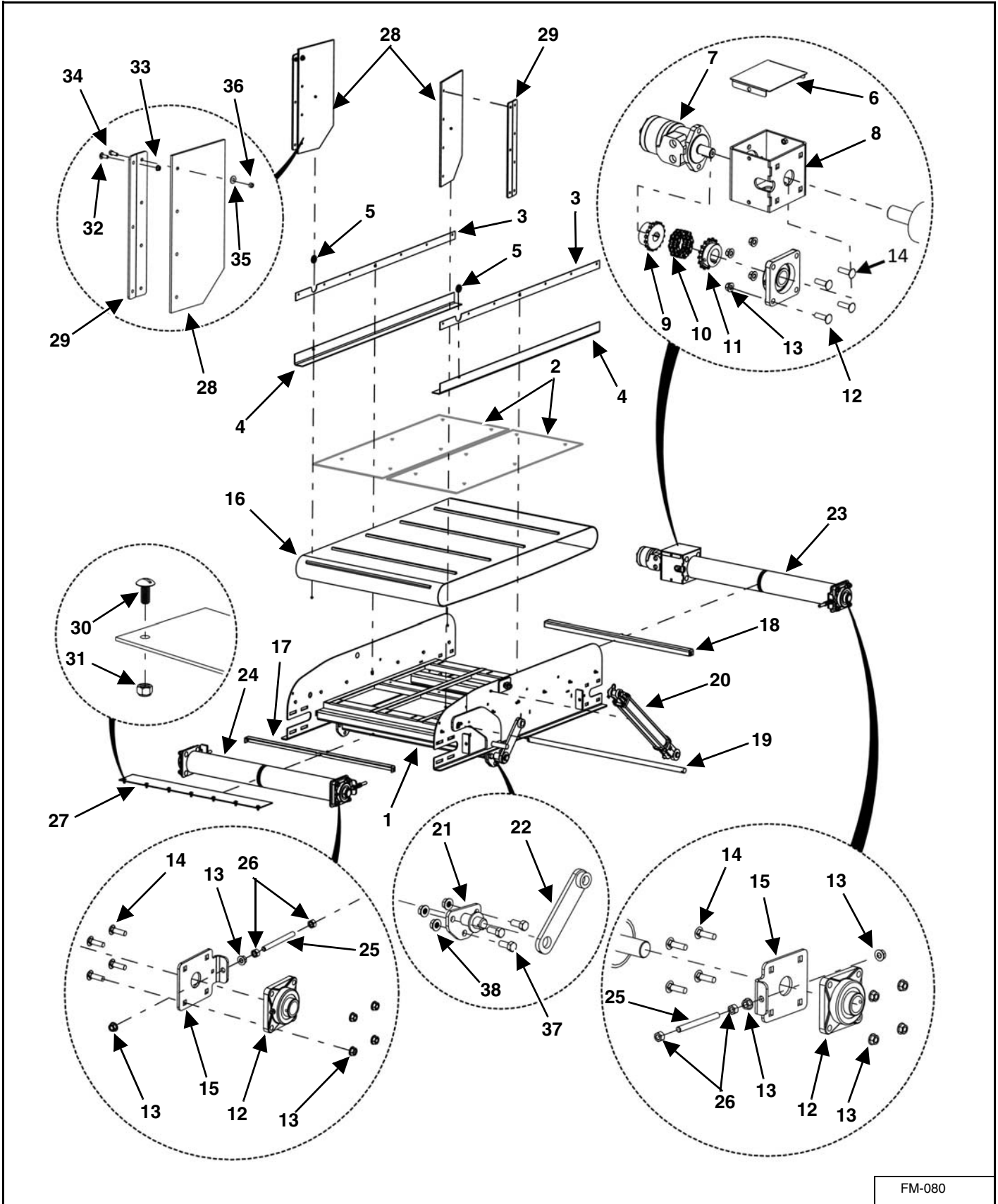
SIDE DISCHARGE BELT CONVEYOR (CONT'D)



FM-080

KEY	PART NUMBER	QTY	DESCRIPTION	MIXER MODEL
7	See Page 100	1	Hydraulic Motor (24", 36" & 48" Left Discharge) (24" Right Discharge)	Both Models
	See Page 102	1	Hydraulic Motor (36" & 48" Right Discharge)	Both Models
8	M3-1-8-0034	1	Front Conveyor Motor Bracket Prior to SN 17VS (0425205, 0510203)	Both Models
	M3-1-5-0049	1	Front Conveyor Motor Bracket SN 17VS (0425205, 0510203) & Later	Both Models
9	37-0013-1	1	Unit Coupler, 1" Bore 1/4" Keyway	Both Models
10	37-0013-2	1	Unit Coupler Chain, #50 16 Double With Connector	Both Models
11	110-50B16-1.50-1	1	Chain Coupler Sprocket 1.5 Bore x 0.375" Keyway	Both Models
12	14-0070	4	1-1/2" - 4 Bolt Bearing	Both Models
13	810-5013-Z	22	1/2" Spin Lock Nut (36" x 36" Belt Conveyor)	Both Models
	810-5013-Z	24	1/2" Spin Lock Nut (36" x 24", 36" x 48" Belt Conveyor)	Both Models
14	850-5013-1.75Z	16	1/2-13 x 1-3/4" Carriage Bolt, Grade 5	Both Models
15	M3-1-5-0044-1	3	Front Conveyor Bearing Mount	Both Models
16	49-0232-MB	1	35" x 77" Belt, (36" x 24" Belt Conveyor)	Both Models
	49-0168-MB	1	35" x 93" Belt, (36" x 36" Belt Conveyor)	Both Models
	49-0195-MB	1	35" x 117" Belt, (36" x 48" Belt Conveyor)	Both Models
	49-0156-4-AS	1	36" Conveyor Steel Belt Lacing Pin	Both Models
17	M3-1-8-0016	1	Conveyor Idler Roll Scraper Prior to SN 17VS (0425205, 0510203)	Both Models
	M3-1-10-0023	1	Conveyor Idler Roll Scraper SN 17VS (0425205, 0510203) & Later	Both Models
	850-3118-.75Z	2	5/16"-18 x 3/4" Carriage Bolt	Both Models
	814-3118-Z	2	5/16"-18 Indented Locknut	Both Models
18	M3-1-8-0017	1	Conveyor Drive Roll Scraper Prior to SN 17VS (0425205, 0510203)	Both Models
	M3-1-10-0023	1	Conveyor Idler Roll Scraper SN 17VS (0425205, 0510203) & Later	Both Models
	850-3118-.75Z	2	5/16"-18 x 3/4" Carriage Bolt	Both Models
	814-3118-Z	2	5/16"-18 Indented Locknut	Both Models
19	M3-1-4-0050	1	Chute Pivot Rod 1" Diameter x 38-1/2"	Both Models
20	See Page 100	1	Hydraulic Cylinder (24", 36" & 48" Left Discharge) (24" Right Discharge)	Both Models
	See Page 102	1	Hydraulic Cylinder (36" & 48" Right Discharge)	Both Models
21	M3-1-4-0005	1	Extension Hydraulic Mount Weldment	Both Models
22	M3-1-4-0006	1	Conveyor Link Arm Weldment	Both Models
23	23-0251	1	1.5 Shaft x 42.625" Drive Pulley	Both Models
24	23-0257	1	1.5 Shaft x 41.5" Cross Conveyor Idler Pulley	Both Models
25	830-5013-4Z	3	Tap Bolt, 1/2-13 x 4"	Both Models

SIDE DISCHARGE BELT CONVEYOR (CONT'D)

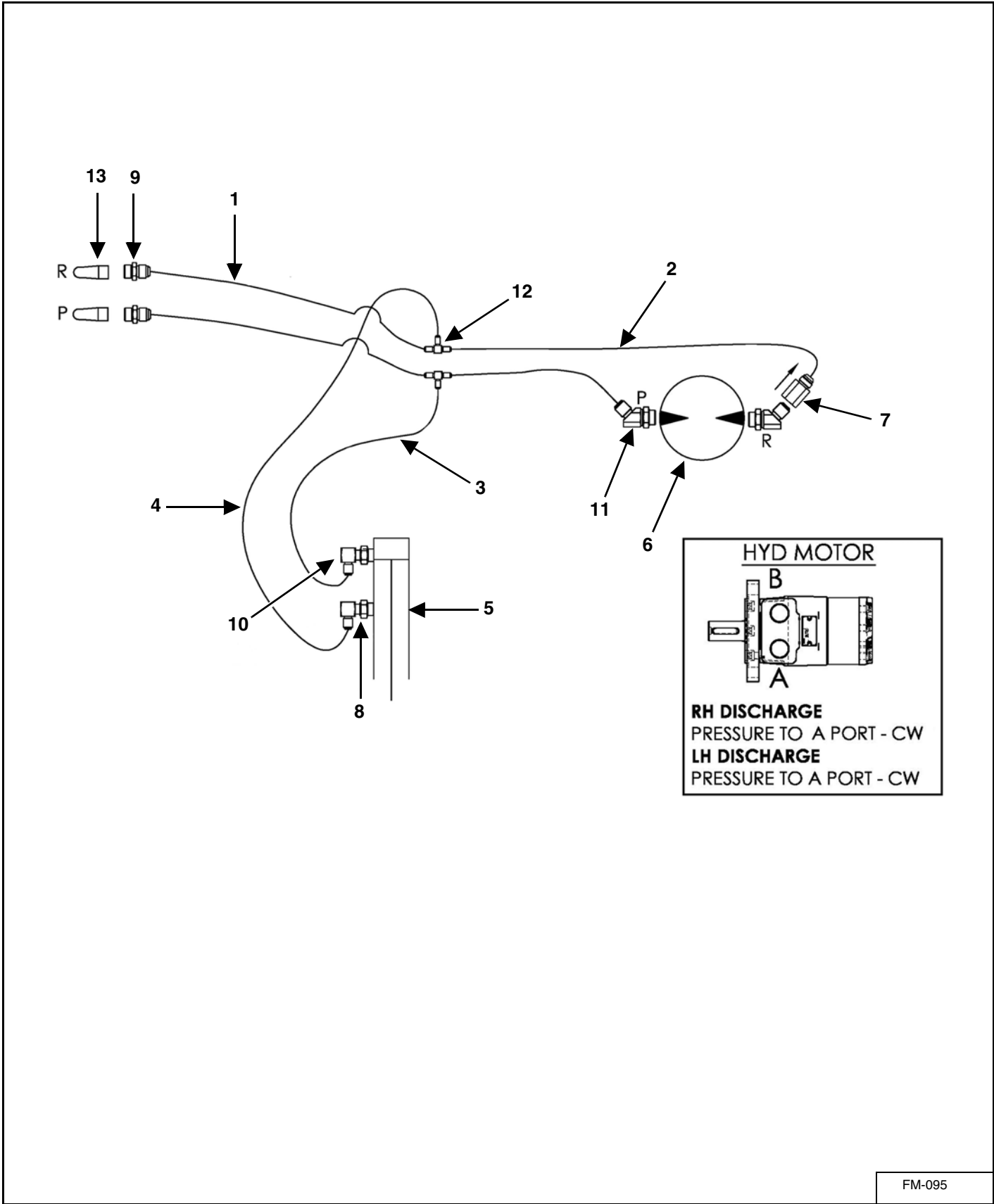


FM-080



KEY	PART NUMBER	QTY	DESCRIPTION	MIXER MODEL
26	813-5013-Z	6	1/2-13 Nut	Both Models
27	49-0170	1	Door Frame Seal	Both Models
28	M3-1-4-0024	2	Door Deflector (Belting)	Both Models
29	M3-1-4-0025	2	Belt Chute Deflector	Both Models
30	802T-3118-.75Z	7	5/16-18 x 3/4" Truss Head Screw	Both Models
31	815-3118-Z	7	5/16-18 Nylon Insert Lock Nut, Left Side	Both Models
32	850-3816-1Z	6	3/8-16 x 1" Carriage Bolt, Grade 5	Both Models
33	810-3816-Z	6	3/8" Spin Lock Nut	Both Models
34	851-3816-1Z	8	3/8-16 x 1" Grade 5 Machine Bolt	Both Models
35	805-0038-Z	4	3/8" Flat Washer	Both Models
36	815-3816-Z	8	3/8-16 Nylon Insert Lock Nut	Both Models
37	851-6311-1.5Z	3	5/8-11 x 1-1/2" Grade 5 Machine Bolt	Both Models
38	810-6311-Z	3	5/8" Spin Locknut	Both Models

**SIDE DISCHARGE INCLINE BELT CONVEYOR HYDRAULIC SCHEMATIC**  
**36" X 24" (LEFT & RIGHT DISCHARGE), 36" X 36" (LEFT DISCHARGE), 36" X 48" (LEFT DISCHARGE)**



**HYD MOTOR**

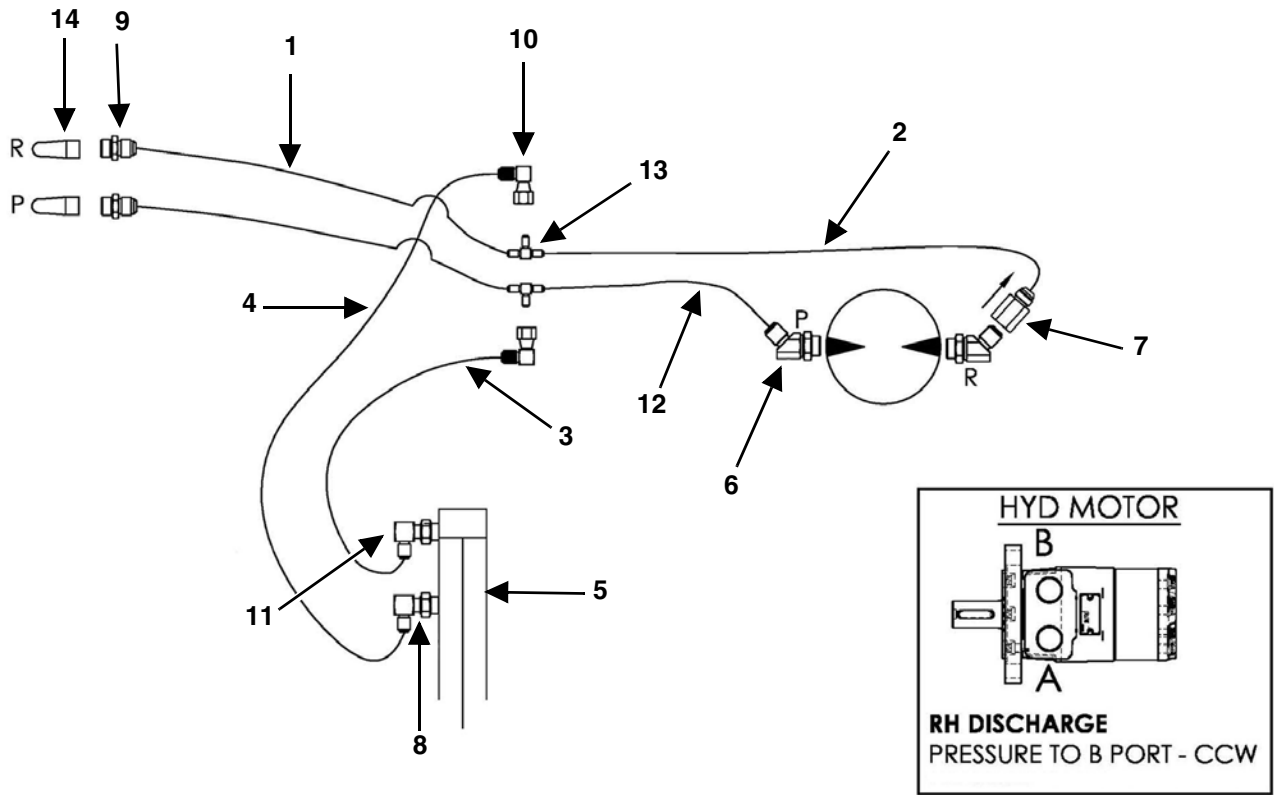
**RH DISCHARGE**  
 PRESSURE TO A PORT - CW

**LH DISCHARGE**  
 PRESSURE TO A PORT - CW

FM-095

KEY	PART NUMBER	QTY	DESCRIPTION	MIXER MODEL
1		2	1/2" x " Hose Assembly (24", 36" & 48" Left Discharge)	Both Models
		2	1/2" x " Hose Assembly (24", Right Discharge)	Both Models
2		2	1/2" x " Hose Assembly (24" Left Discharge)	Both Models
		2	1/2" x " Hose Assembly (24" Right Discharge)	Both Models
		2	1/2" x " Hose Assembly (36" Left Discharge)	Both Models
		2	1/2" x " Hose Assembly (48" Left Discharge)	Both Models
3		1	1/4" x " Hose Assembly (24", 36" & 48" Left Discharge)	Both Models
		1	1/4" x " Hose Assembly (24" Right Discharge)	Both Models
4		1	1/4" x " Hose Assembly (24", 36" & 48" Left Discharge)	Both Models
		1	1/4" x " Hose Assembly (24" Right Discharge)	Both Models
5	155-2-16-1.125-1	1	2" x 16" x 1-1/8" Hydraulic Cylinder (24", 36" & 48" Left Discharge)	Both Models
	155-2-16-1.125-2	1	2" x 16" x 1-1/8" Hydraulic Cylinder (24" Right Discharge)	Both Models
6	155-WR-12.1-1	1	12.1 Cubic Inch 2-Bolt Motor	Both Models
	155-WR-SK-1	1	Motor Seal Kit	Both Models
7	155-CV-8-1	1	Check Valve	Both Models
8	155-6801-6-8	1	#6 JIC Male, #8 ORB Male Adjustable 90°	Both Models
9	155-6400-8-8	2	#8 JIC Male, #8 ORB Male Straight Connector	Both Models
10	155-6801-6-8-55	1	#6 x #8 90° Adj Elbow With .055" Orifice	Both Models
11	155-6802-8-10	2	#8 JIC Male, #10 ORB Male Adjustable 45°	Both Models
12	155-2603-08-08-06	2	#8 x #8 x #8 JIC Male Tube Tee	Both Models
13	155-8010-15	2	#8 ORB Male Tip 1/2" Body Size	Both Models
NS	955-3754	2	3/4" Tube Clamp (Right Discharge Only)	Both Models

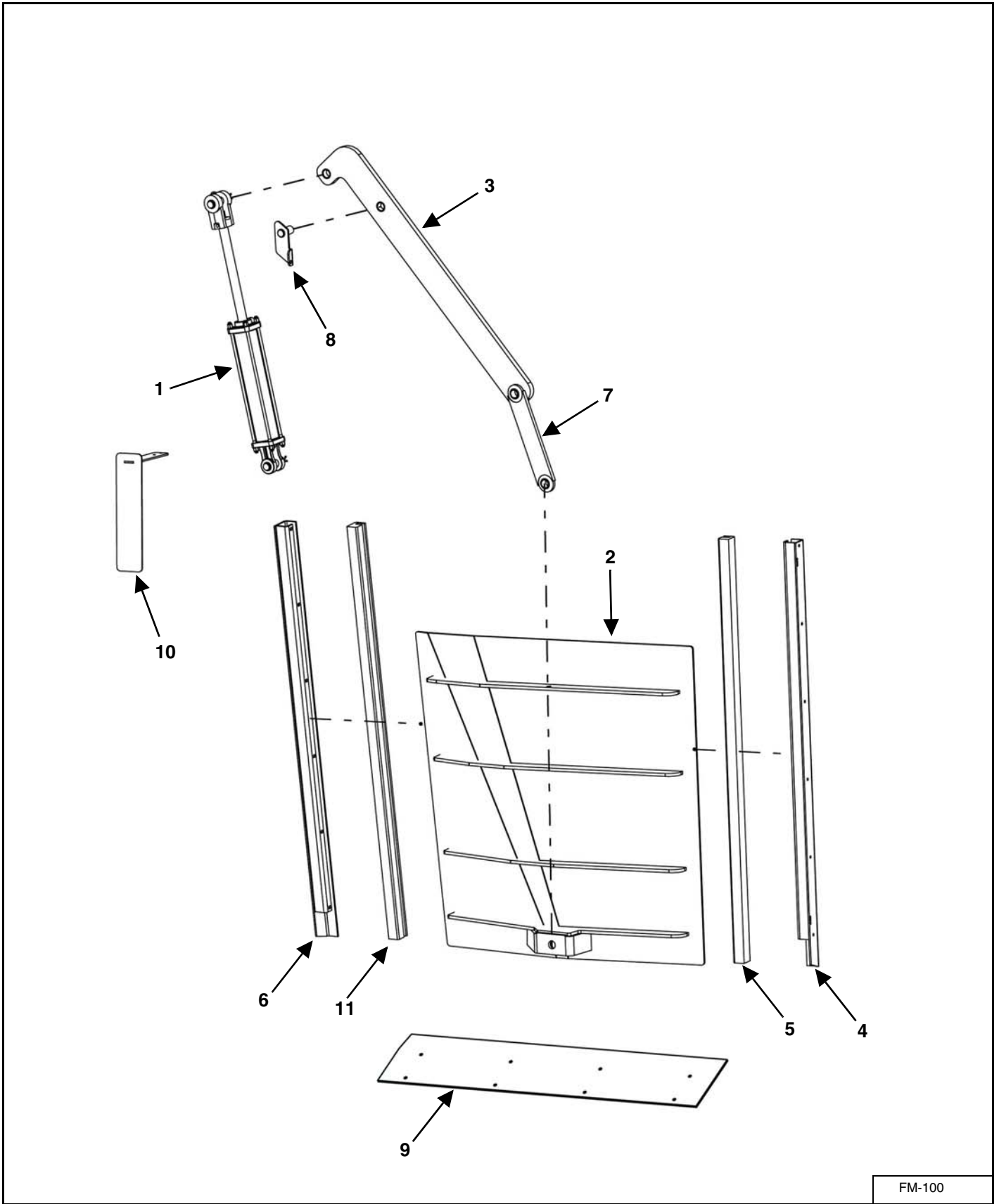
**SIDE DISCHARGE INCLINE CONVEYOR HYDRAULIC SCHEMATIC**  
**36" X 36" (RIGHT DISCHARGE), 36" X 48" (RIGHT DISCHARGE)**



FM-090

KEY	PART NUMBER	QTY	DESCRIPTION	MIXER MODEL
1	155-08R17-222-1	2	1/2" x 222" Hose Assembly	Both Models
2	155-08R17-69-1	2	1/2" x 69" Hose Assembly	Both Models
3	155-04R17-57-1	1	1/4" x 57" Hose Assembly	Both Models
4	155-04R17-40-2	1	1/4" x 40" Hose Assembly	Both Models
5	155-2-16-1.125-1	1	2" x 16" x 1-1/8" Hydraulic Cylinder	Both Models
6	155-WR-12.1-1	1	12.1 Cubic Inch 2-Bolt Motor	Both Models
	155-WR-SK-1	1	Motor Seal Kit	Both Models
7	155-CV-8-1	1	Check Valve	Both Models
8	155-6801-6-8	1	#6 JIC Male, #8 ORB Male 90 Degree Adjustable Elbow	Both Models
9	155-6400-8-8	2	#8 JIC Male, #8 ORB Male Straight Connector	Both Models
10	155-6500-06-06	2	#6 JIC Male, #6 JIC Female Swivel 90°	Both Models
11	155-6801-6-8-55	1	#6 x #8 90° Adj Elbow With .055" Orifice	Both Models
12	155-6802-8-10	2	#8 JIC Male, #10 ORB Male Adjustable 45°	Both Models
13	155-2603-08-08-06	2	#8 x #8 x #8 JIC Male Tube Tee	Both Models
14	155-8010-15	2	#8 ORB Male Tip 1/2" Body Size	Both Models
NS	955-3754	2	3/4" Tube Clamp	Both Models

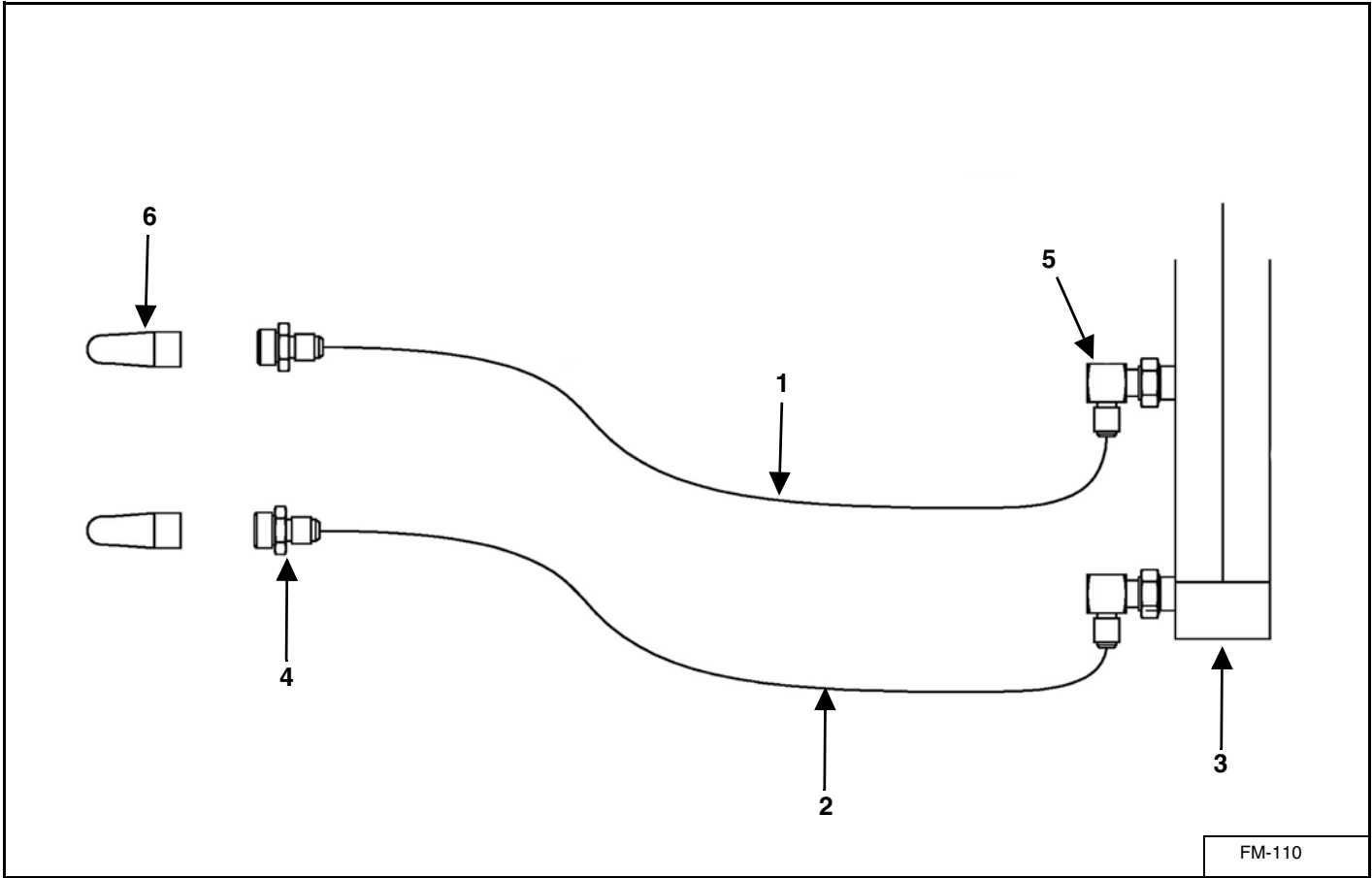
# DOOR



FM-100

KEY	PART NUMBER	QTY	DESCRIPTION	MIXER MODEL
1	155-2.5-12-1.125-1	1	2-1/2" x 12" x 1-1/8" Hydraulic Cylinder	Both Models
2	MS2-1-4-0011	1	Rear / Front Door Weldment	Both Models
	MS6-1-4-0004	1	Left Side Door Weldment	Both Models
	M6-1-7-0009	1	Right Side Door Weldment	Both Models
3	M6-1-8-0006	1	Rear / Front Door Arm	Both Models
	M6-1-4-0004	1	Left / Right Door Arm	Both Models
	M6-1-8-0006-2	2	Spring Bushing 1" ID x 1-1/4" OD x 3/4"	Both Models
4	M6-1-8-0002	1	Right Door Frame Guide Assembly	Both Models
5	M6-1-10-0007-R	1	Right Poly Door Slide (Facing Door)	Both Models
	850-3118-2.5Z	6	Carriage Bolt, 5/16-18 x 2-1/2"	Both Models
	814-3118-Z	6	Indented Lock Nut, 5/16-18	Both Models
6	M6-1-8-0004	1	Left Door Frame Guide Assembly	Both Models
7	M6-1-8-0008	1	Door Link Arm Assembly	Both Models
	851-1008-3Z	2	Machine Bolt, 1-8 x 3"	Both Models
	815-1008-Z	2	Lock Nut, 1-8 Nylon Insert	Both Models
8	M6-1-8-0009	1	Front & Rear Door Link Pivot Pin Assembly	Both Models
	MS6-1-4-0005	1	Right & Left Door Pivot Pin Assembly	Both Models
	851-3816-1.25Z	1	3/8-16 x 1-1/4" Machine Bolt	Both Models
	805-0038-Z	2	3/8" Flat Washer	Both Models
	815-3816-Z	1	3/8-16 Nylon Insert Lock Nut	Both Models
9	M11-1-0033	1	Magnet Cover Plate (Side Door Only)	Both Models
10	MS2-1-4-0001-31	AR	Left/Right Side Discharge Door Indicator Weldment	Both Models
11	M6-1-10-0007-L	1	Left Poly Door Slide (Facing Door)	Both Models
	850-3118-2.5Z	6	Carriage Bolt, 5/16-18 x 2-1/2"	Both Models
	814-3118-Z	6	Indented Lock Nut, 5/16-18	Both Models

**DOOR HYDRAULIC SCHEMATIC  
FRONT / LEFT / RIGHT / DUAL LEFT AND RIGHT DOOR**

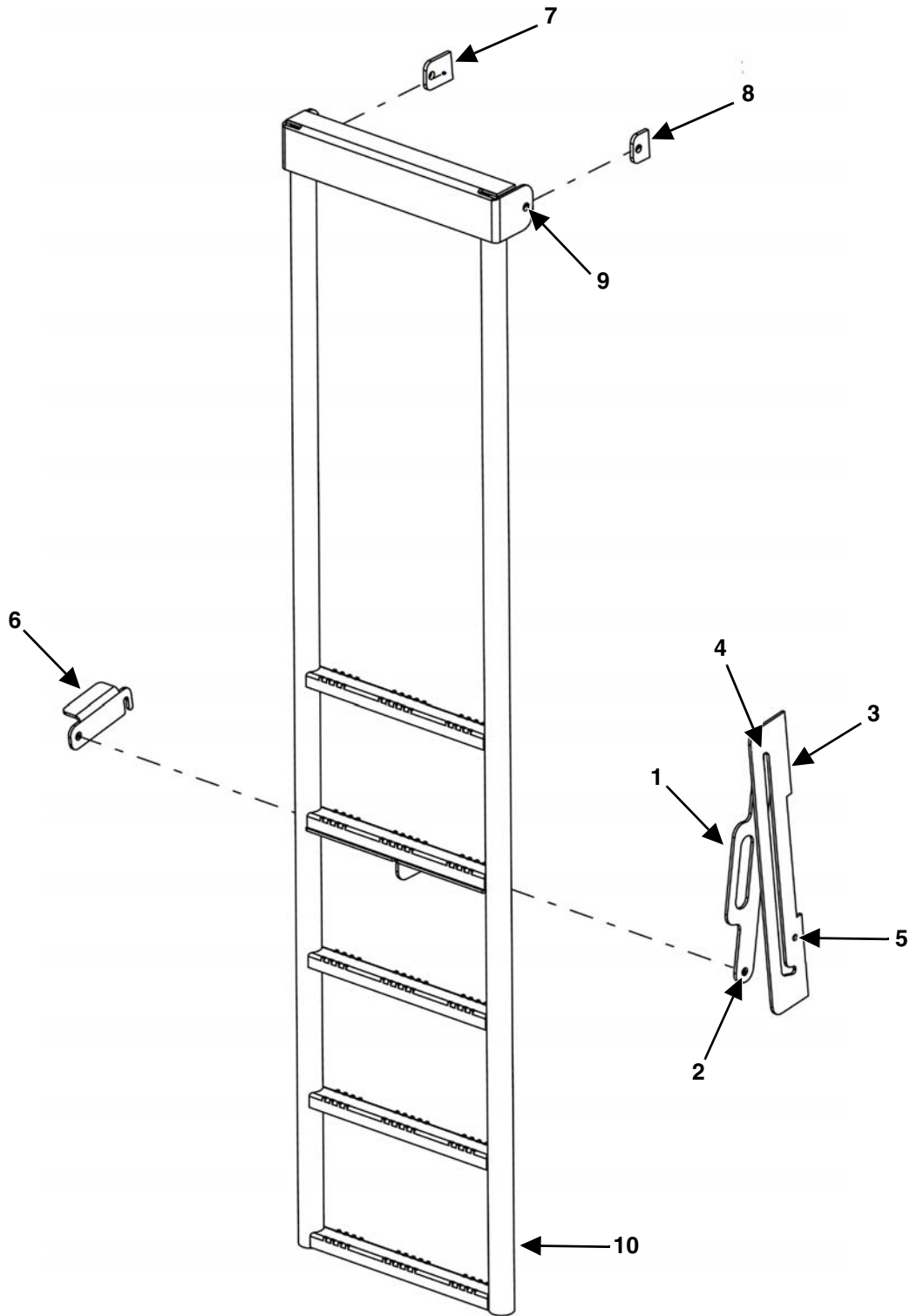


KEY	PART NUMBER	QTY	DESCRIPTION	MIXER MODEL
1	155-04R17-208-1	1	1/4 x 208" Hose Assembly (Right Door)	Both Models
	155-04R17-304-1	1	1/4 x 304" Hose Assembly (Left Door)	Both Models
	155-04R17-218-1	1	1/4 x 218" Hose Assembly (Front Door)	Both Models
2	155-04R17-193-1	1	1/4 x 193" Hose Assembly (Right Door)	Both Models
	155-04R17-289-1	1	1/4 x 289" Hose Assembly (Left Door)	Both Models
	155-04R17-197-1	1	1/4 x 197" Hose Assembly (Front Door)	Both Models
3	155-2-5-12-1.125-1	1	2-1/2 x 12 x 1-1/8" Hydraulic Cylinder	Both Models
4	155-6400-6-8	2	#6 JIC Male, #8 ORB Male Straight Connector	Both Models
5	155-6801-6-8	2	#6 JIC Male, #8 ORB Male Adjustable 90°	Both Models
6	155-8010-15	2	#8 ORB Male Tip 1/2" Body Size	Both Models





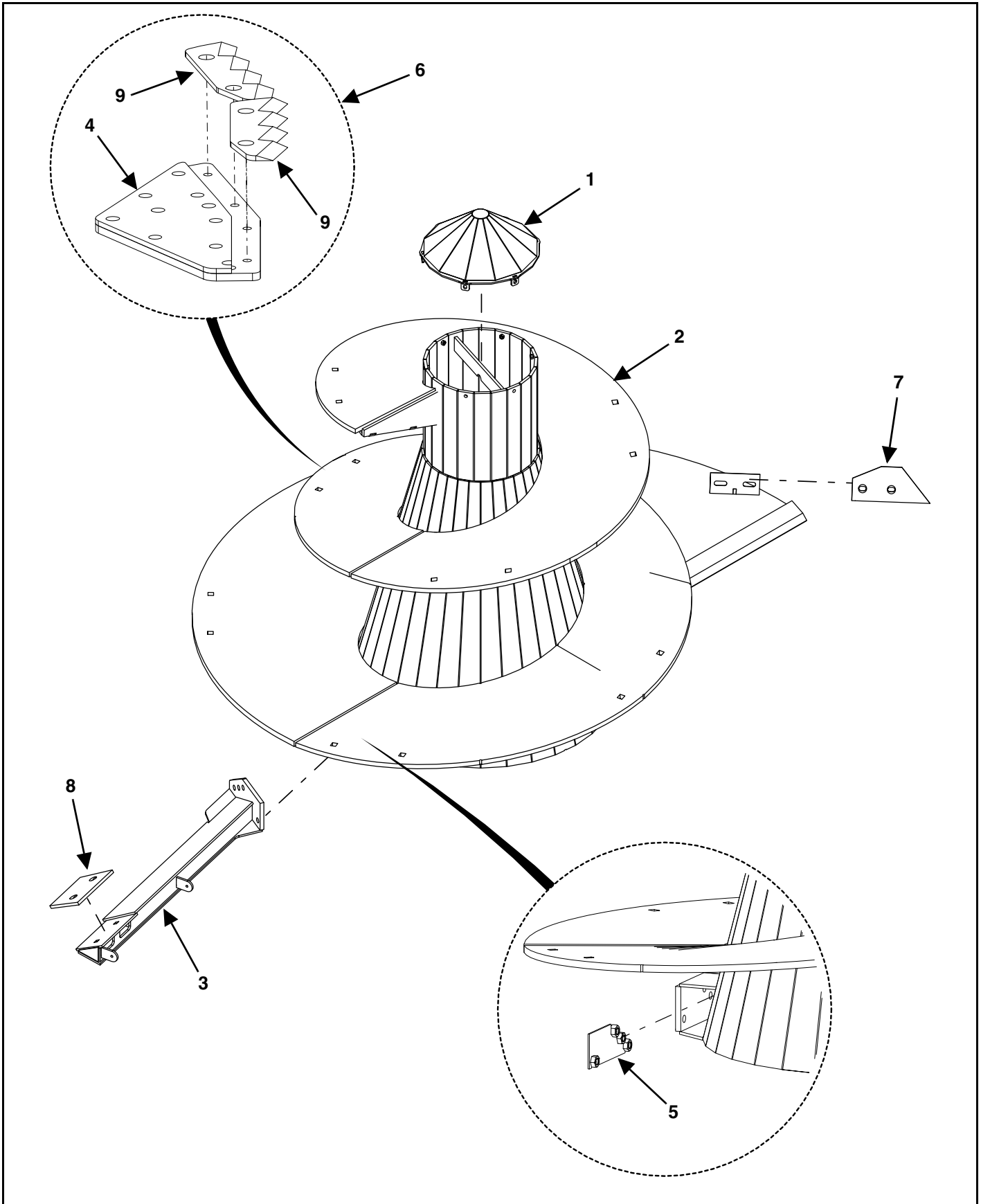
# LADDER



FM-135

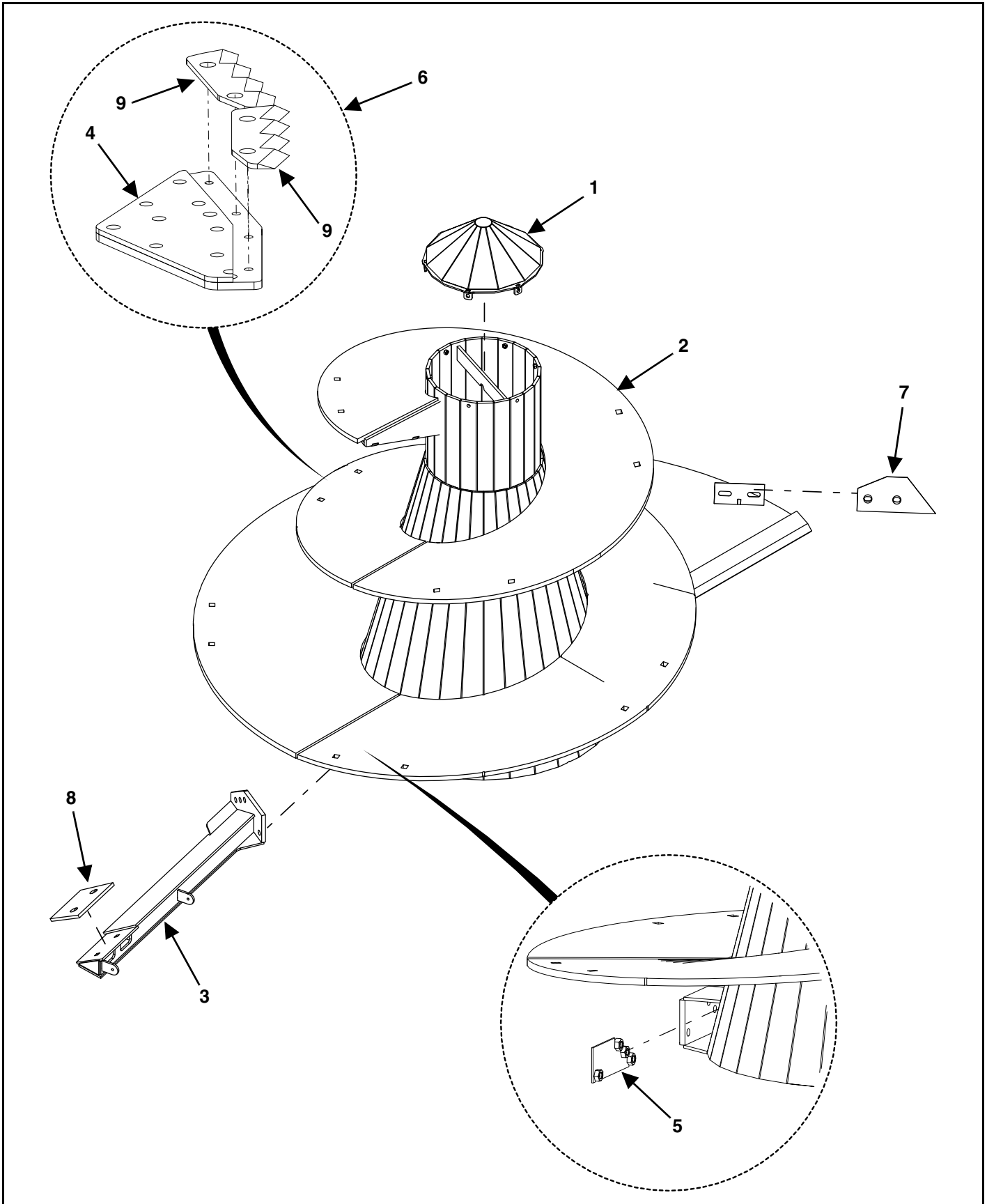
KEY	PART NUMBER	QTY	DESCRIPTION	MIXER MODEL
1	M10-1-4-0001-4	1	Ladder Handle	Both Models
2	851-5013-1.75Z	1	1/2-13 x 1-3/4" Bolt	Both Models
	805-0050-Z	2	1/2" Flat Washer	Both Models
	815-5013-Z	1	1/2-13 Nylon Lock Nut	Both Models
3	MS2-1-5-0001-23	1	Ladder Guide (Welded On)	Both Models
4	851-5013-1.5Z	1	1/2-13 x 1-1/2" Bolt	Both Models
	805-0050-Z	2	1/2" Flat Washer	Both Models
	815-5013-Z	1	1/2-13 Nylon Lock Nut	Both Models
5	851-3816-1.5Z	1	3/8-16 x 1-1/2" Bolt	Both Models
	810-3816-Z	2	3/8" Spin Lock Nut	Both Models
6	M10-1-4-0001-5	1	Ladder Latch	Both Models
7	MS2-1-4-0001-28	1	Left Ladder Mount, Front Discharge (Welded On)	425
	MS2-1-5-0001-22	1	Left Ladder Mount, Front Discharge (Welded On)	510
	MS2-1-4-0001-25	1	Left Ladder Mount, Side Discharge (Welded On)	Both Models
8	M2-1-7-0001-25	1	Right Ladder Mount, Front Discharge (Welded On)	Both Models
	MS2-1-4-0001-26	1	Right Ladder Mount, Side Discharge (Welded On)	Both Models
9	851-5013-1.5Z	2	1/2-13 x 1-1/2" Bolt	Both Models
	805-0050-Z	2	1/2" Flat Washer	Both Models
	815-5013-Z	2	1/2-13 Nylon Lock Nut	Both Models
10	M10-1-4-0001	1	Ladder Weldment	425
	M10-1-7-0001	1	Ladder Weldment	510

# AUGER



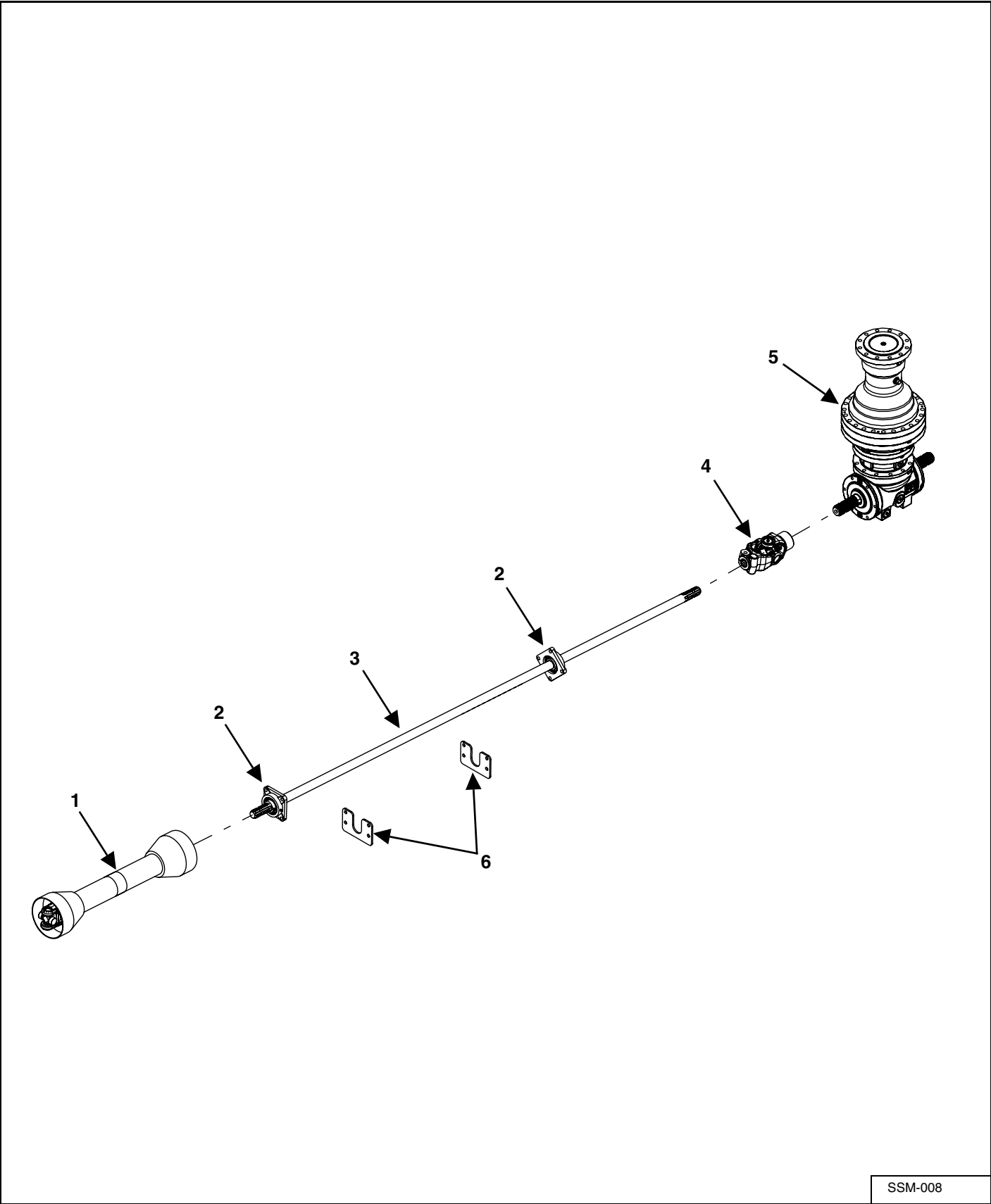
KEY	PART NUMBER	QTY	DESCRIPTION	MIXER MODEL
0	MS5-1-4-0004	1	Auger Assembly, Complete With Knives, Backer & Hardware	425
	MS5-1-5-0004	1	Auger Assembly, Complete With Knives, Backer & Hardware	510
1	M5-1-8-0002	1	Auger Top Cap Weldment	Both Models
	851-3118-1.25SS	6	5/16"-18 x 1-1/4" Stainless Steel Bolts	Both Models
	805-0031-Z	6	5/16" Flat Washer	Both Models
	822-0031-Z	6	5/16" Split Lock Washer	Both Models
2	MS5-1-4-0004-1	1	Auger Weldment	425
	MS5-1-5-0004-1	1	Auger Weldment	510
3	M5-1-8-0014	1	Kicker Weldment	Both Models
	881-6311-1.75Z	3	5/8"-11 x 1-1/2" Bolt	Both Models
4	M11-1-0040	5	Knife Backer Weldment	425
	M11-1-0041	AR	HD Knife Backer Weldment	425
	M11-1-0040	6	Knife Backer Weldment	510
	M11-1-0041	AR	HD Knife Backer Weldment	510
	880-6311-2Z	1 per	5/8" -11 x 2" Carriage Bolt Zinc	Both Models
	880-6311-2.5Z	1 per	5/8" -11 x 2-1/2" Carriage Bolt Zinc	Both Models
	886-6311-Z	2 per	5/8" -11 Center Lock Nut	Both Models

# AUGER (CONT'D)



KEY	PART NUMBER	QTY	DESCRIPTION	MIXER MODEL
5	M5-1-8-0007	1	Auger Kicker Nut Holder Weldment	Both Models
6	M11-1-0059-K	5	Mixer Knife Assembly (Includes Knives, Backers & Hardware)	425
	M11-1-0060-K	AR	Mixer HD Knife Assembly (Includes Knives, Backers & Hardware)	425
	M11-1-0059-K	6	Mixer Knife Assembly (Includes Knives, Backers & Hardware)	510
	M11-1-0060-K	AR	Mixer HD Knife Assembly (Includes Knives, Backers & Hardware)	510
7	M5-1-8-0005-K	1	Auger Scraper With Hardware	Both Models
	852-5013-1.75Z	2	1/2"-13 x 1-3/4" Flat Head Socket Cap Screw	Both Models
	815-5013-Z	2	1/2"-13 Nylon Lock Nut	Both Models
	828-0050-Z	2	1/2" SAE Washer	Both Models
8	M5-1-8-0006-K	1	Kicker Wear Plate With Hardware	Both Models
	852-5013-1.75Z	2	1/2-13 x 1-3/4" Flat Head Socket Cap Screw	Both Models
	815-5013-Z	2	1/2 -13 Nylon Lock Nut	Both Models
	828-0050-Z	2	1/2" SAE Washer	Both Models
9	M11-1-0050-K	AR	One Blade With Hardware	Both Models
	803-3816-1Z	2 per	3/8-16 x 1" Flat Head Socket Cap Screw	Both Models
	814-3816-Z	2 per	3/8-16 Center Lock Nut	Both Models

DRIVELINE

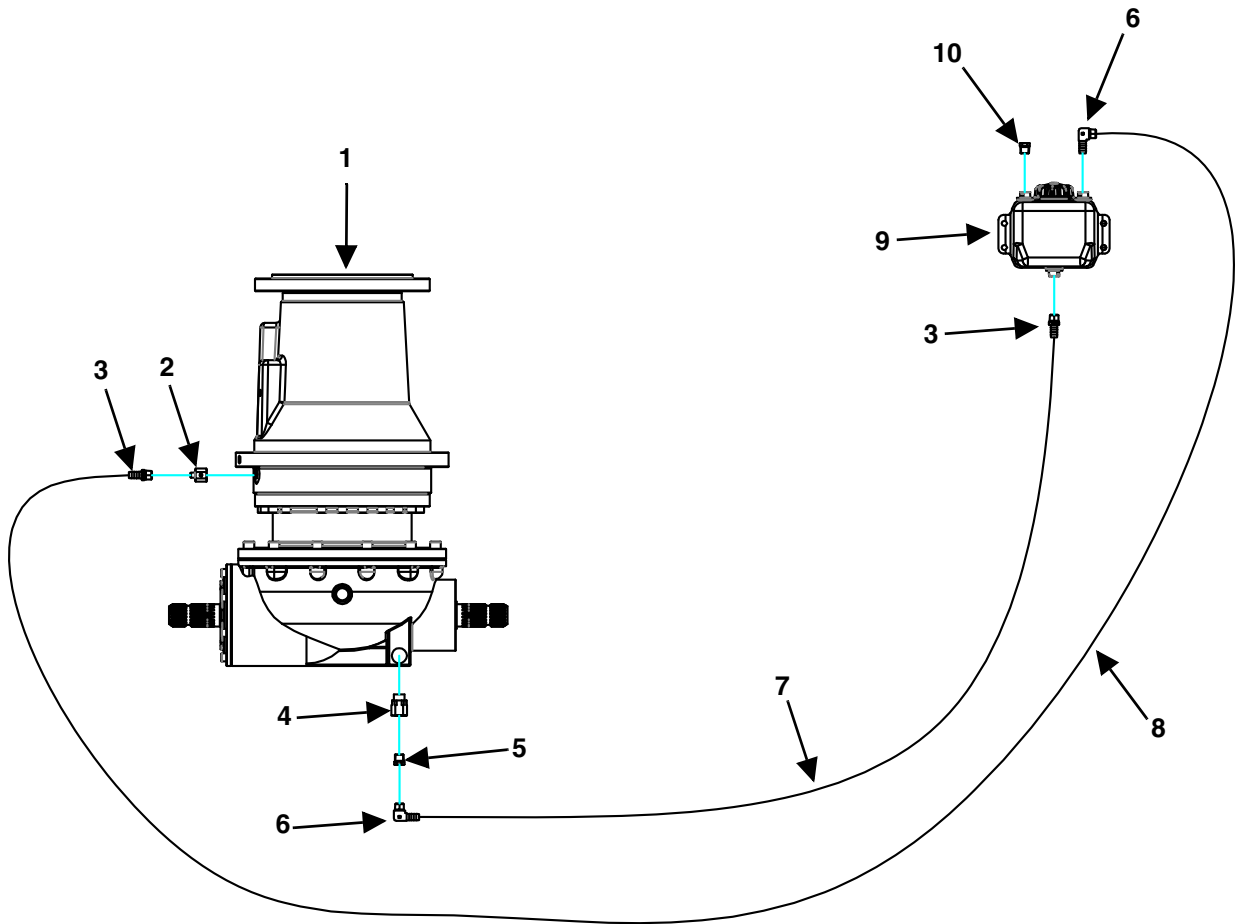


SSM-008



KEY	PART NUMBER	QTY	DESCRIPTION	MIXER MODEL
1	See Page 118	1	1-3/8-21 Spline x 1-3/8-6 Spline PTO Complete	Both Models
2	914-3604	2	1-3/8" 4-Bolt Bearing	Both Models
3	123-1.38-0012	1	PTO Extension Drive Shaft (Front Discharge Only)	Both Models
	123-1.38-0013	1	PTO Extension Drive Shaft (Side Discharge Only)	Both Models
4	See Page 119	1	Universal Joint Complete	Both Models
5	119-VM10-24.26-1	1	Planetary Gearbox	Both Models
	119-P-A-03	1	Seal Kit (Lower Box)	Both Models
	851-6311-2.5Z	12	5/8"-11 x 2-1/2" Cap Screw	Both Models
	814-6311-Z	12	5/8"-11 Center Lock Nut	Both Models
6	MS2-1-4-0002-5	2	Bearing Mount (Front Discharge Only)	Both Models

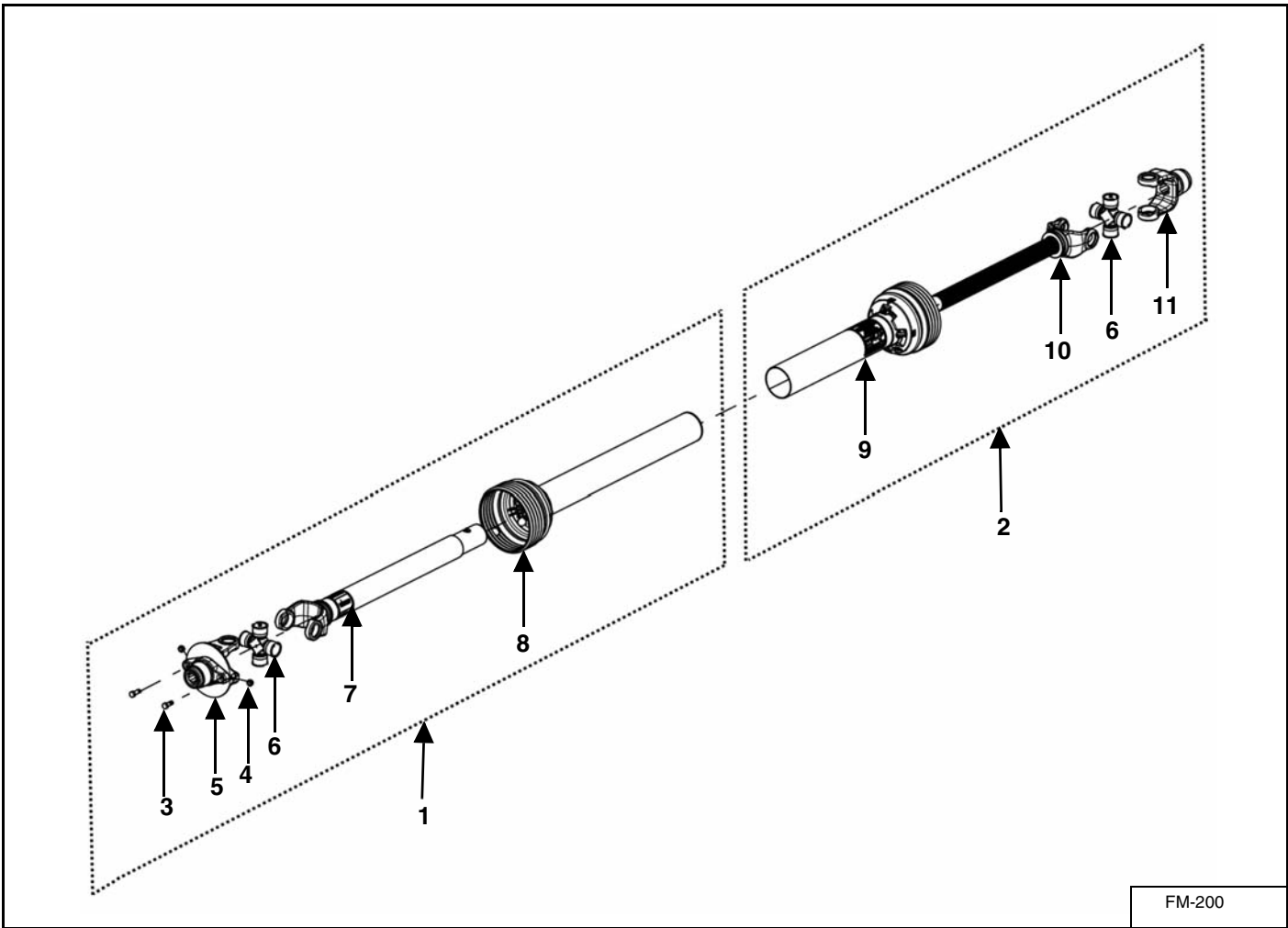
# PLANETARY OIL SYSTEM



Use #48-0081 Synthetic ISO220 or  
Equivalent For Planetary  
Gearboxes.

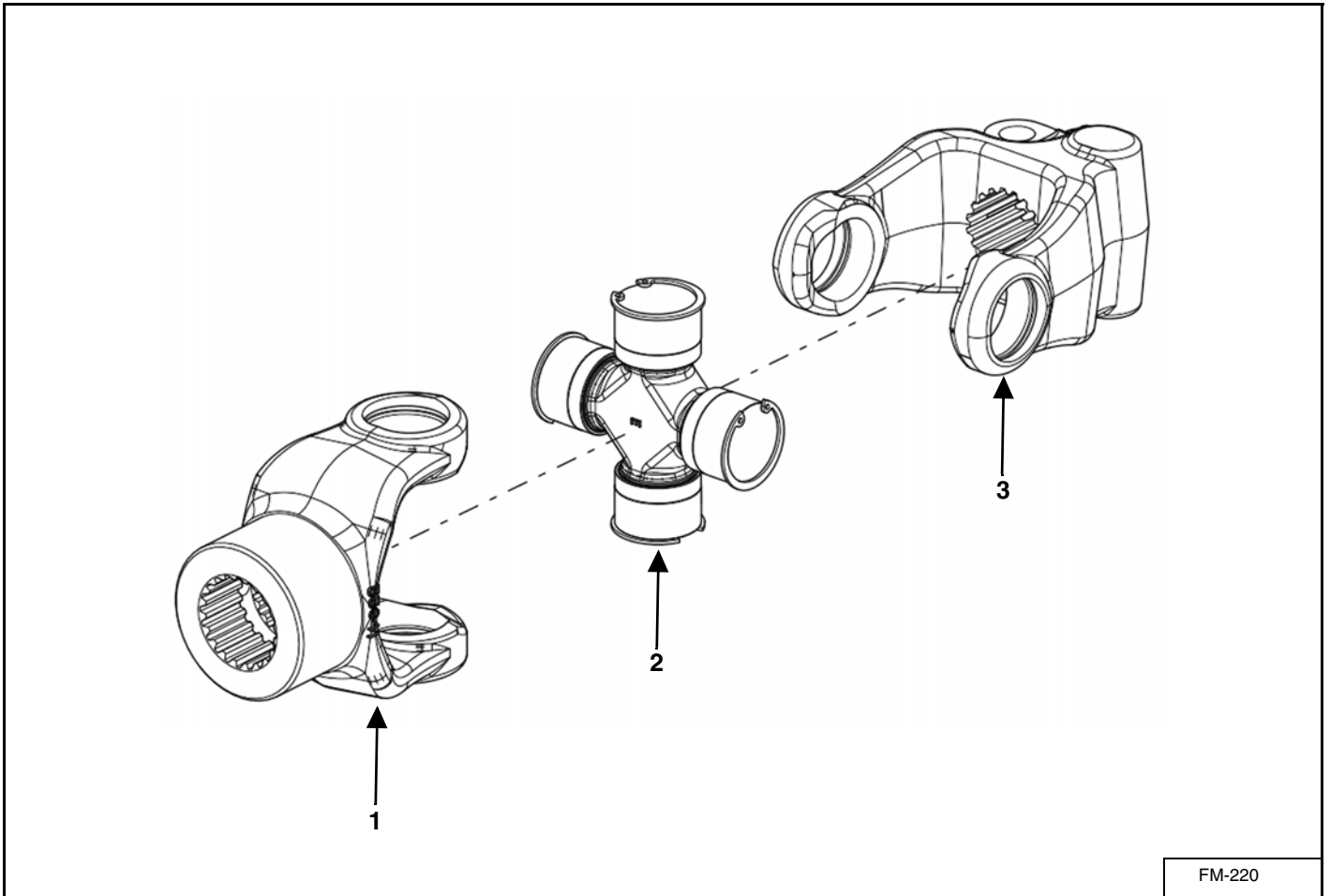
KEY	PART NUMBER	QTY	DESCRIPTION	MIXER MODEL
1	See Page 114	1	Planetary	Both Models
2	155-5405-02-06	1	Straight Adapter	Both Models
3	55-0405	2	1/2" x 3/8" BRS MA Barb Hose	Both Models
4	155-PB08-08	1	Straight Coupler	Both Models
5	155-5406-08-06	1	Straight Coupler	Both Models
6	55-0404	2	1/2" x 3/8" BRS MA Barb	Both Models
7	155-2231-08	85"	1/2" ID x 3/4" OD Push On Hose	Both Models
8	155-2231-08	102"	1/2" ID x 3/4" OD Push On Hose	Both Models
9	952-0003	1	2 QT Plastic Tank With Vented Cap	Both Models
10	55-0307	1	Breather	Both Models

## PTO DRIVE SHAFT



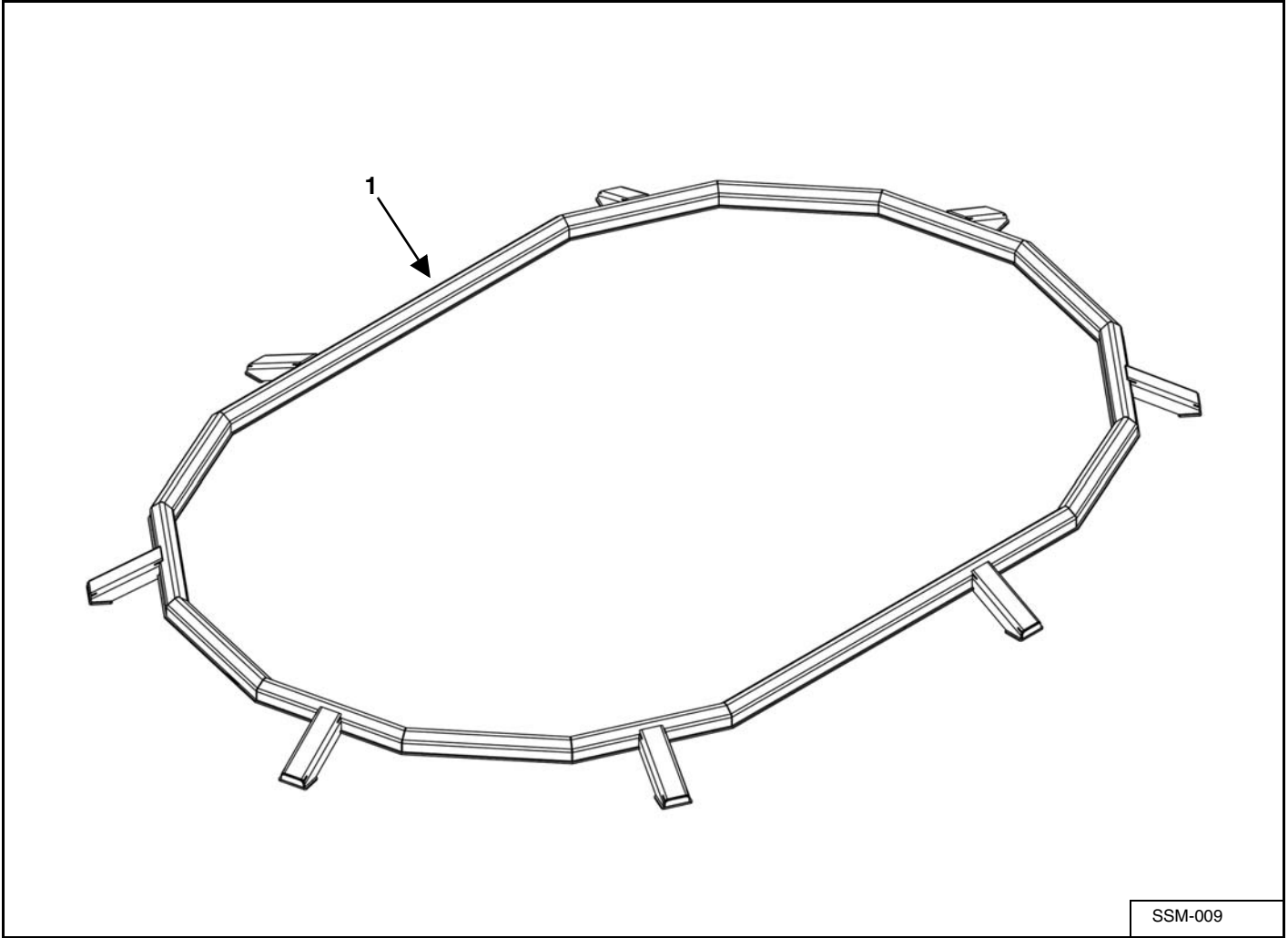
KEY	PART NUMBER	QTY	DESCRIPTION
0	118-VM-0013-55	1	1-3/8-21 Spline x 1-3/8-6 Spline PTO Complete
1	118-VM-0001-55-2	1	1-3/8-6 Spline Implement Half Assembly With Guard
2	118-VM-0013-55-1	1	1-3/8-21 Spline Tractor Half Assembly With Guard
	118-VM-0006-55-2	1	1-3/8-21 Spline CV Tractor Half Assembly With Guard (Optional)
3	851-3816-1Z	2	3/8-16 x 1" Bolt
4	814-3816-Z	2	3/8-16 Lock Nut
5	118-VM-0001-55-2-4	1	Ball Shear Assembly
6	118-VM-01-55-1-1	2	55EBL Cross Kit
7	118-VM-0001-55-2-2	1	Yoke, Tube & Slip Sleeve (Implement Half)
8	118-VM-0001-55-2-1	1	Inner Guard (Implement Half)
	118-VM-0001-55-1-4	1	Guard Repair Kit
9	118-VM-0001-55-1-3	1	Outer Guard (Tractor Half)
	118-VM-0001-55-1-4	1	Guard Repair Kit
10	118-VM-0001-55-1-2	1	Yoke & Shaft (Tractor Half)
11	118-VM-0013-55-1-2	1	Safety Slide Lock Yoke Assembly
	918-0001-11	2	Lock Repair Kit

## UNIVERSAL JOINT



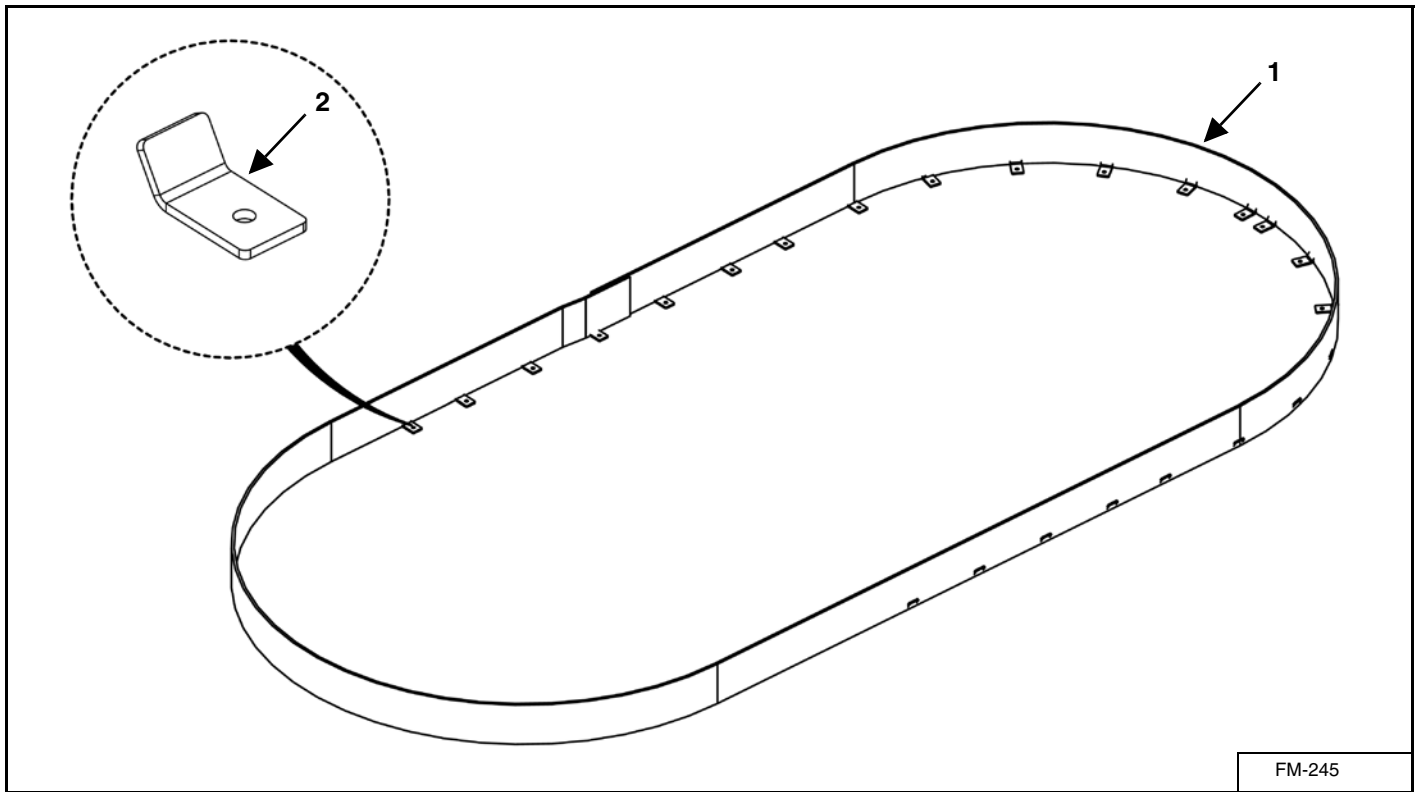
KEY	PART NUMBER	QTY	DESCRIPTION
0	118-VM-0002-55	1	Universal Joint Complete
1	118-VM-0002-55-2	1	Yoke
2	118-VM-01-55-1-1	1	55EBL Cross Kit
3	118-VM-0002-55-1	1	Yoke
	851-6311-3Z	1	5/8-11 x 3" Bolt
	815-6311-Z	1	5/8-11 Nylon Insert Lock Nut

**OPTIONAL EQUIPMENT  
HAY RETAINING RING**



KEY	PART NUMBER	QTY	DESCRIPTION	MIXER MODEL
1	MS4-1-4-0001	1	Hay Retention Ring Weldment	425
	MS4-1-5-0001	1	Hay Retention Ring Weldment	510
NS	851-5013-1.25Z	AR	1/2"-13 x 1-1/4" Bolt	Both Models
NS	805-0050-Z	AR	1/2" Flat Washer	Both Models
NS	810-5013-Z	AR	1/2" Spin Lock Nut	Both Models

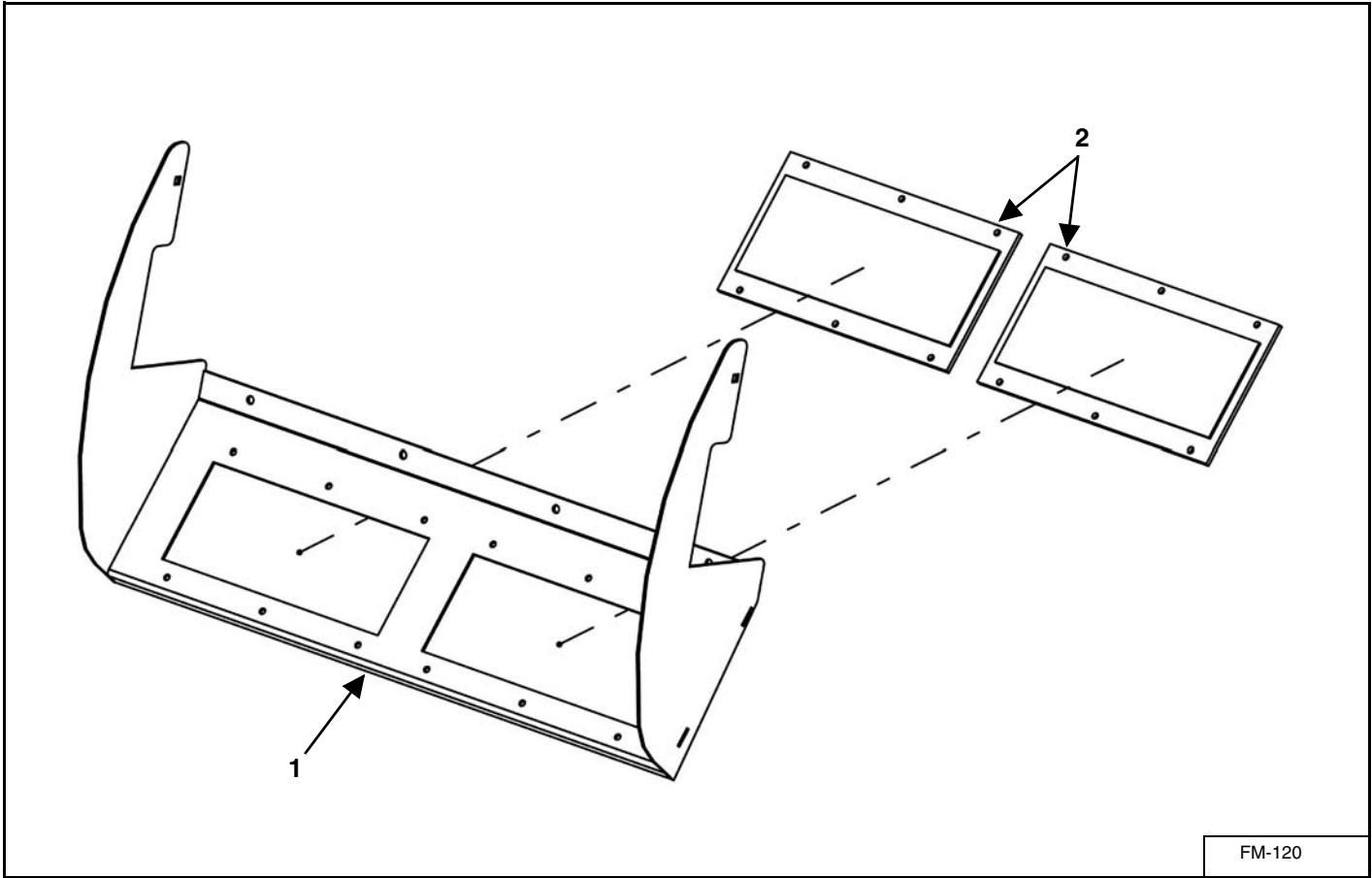
## 8" CAPACITY EXTENSION



FM-245

KEY	PART NUMBER	QTY	DESCRIPTION	MIXER MODEL
0	VSA-0425-CE-8	1	8" Capacity Extension Assembly	425
	VSA-0510-CE-8	1	8" Capacity Extension Assembly	510
1	M11-3-0001	1	8" Capacity Extension .453" x 8" x 37 FT	425
	M11-4-0001	1	8" Capacity Extension .453" x 8" x 39 FT	510
	805-0038-Z	4	3/8" Flat Washer	Both Models
	815-3816-Z	2	3/8-16 Nylon Insert Lock Nut	Both Models
	851-3816-1.5Z	2	3/8-16 x 1-1/2" Grade 5 Machine Bolt	Both Models
2	M4-1-8-0006	34	Belt Extension Mounts	Both Models
	805-0050-Z	16	1/2" Flat Washer	Both Models
	814-5013-Z	34	1/2-13 Indented Lock Nut	Both Models
	851-5013-1.5Z	34	1/2-13 x 1-1/2" Grade 5 Machine Bolt	Both Models

**TIP OFF  
FRONT INCLINE DISCHARGE (CHAIN ONLY) & SIDE DISCHARGE**

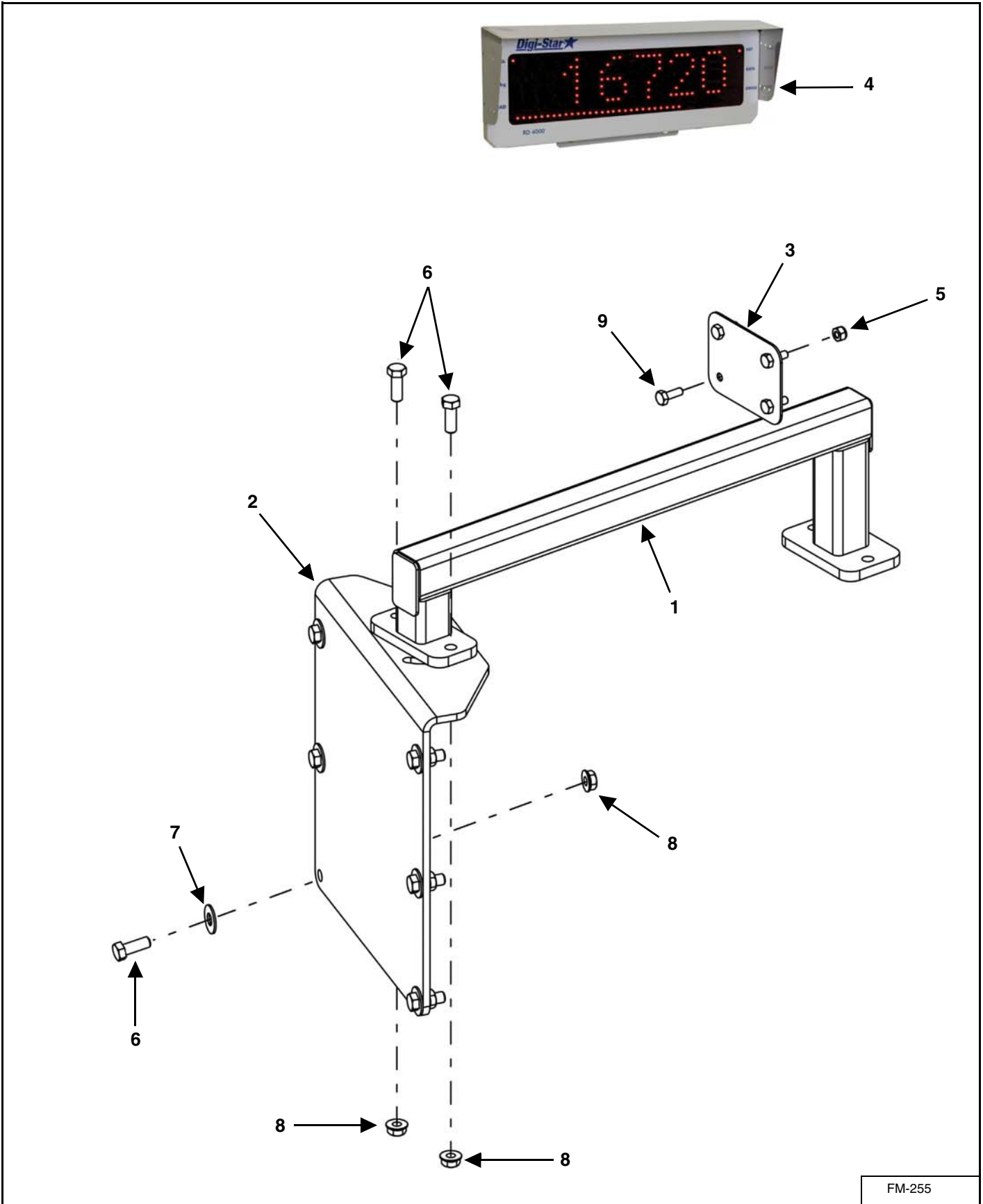


KEY	PART NUMBER	QTY	DESCRIPTION	MIXER MODEL
1	M3-1-7-0015	1	Front Incline Discharge Tip Off Weldment	Both Models
	810-3816-Z	8	3/8" Spin Lock Nut	Both Models
	851-3816-.75Z	6	3/8-16 x 3/4" Bolt	Both Models
	850-3816-.75Z	2	3/8-16 x 3/4" Bolt	Both Models
2	M11-1-0004	2	15" Discharge Magnet	Both Models
	802T-3118-.75Z	12	5/16-18 x 3/4" Truss Head Machine Screw	Both Models
	810-3118-Z	12	5/16-18 Spin Lock Nut	Both Models





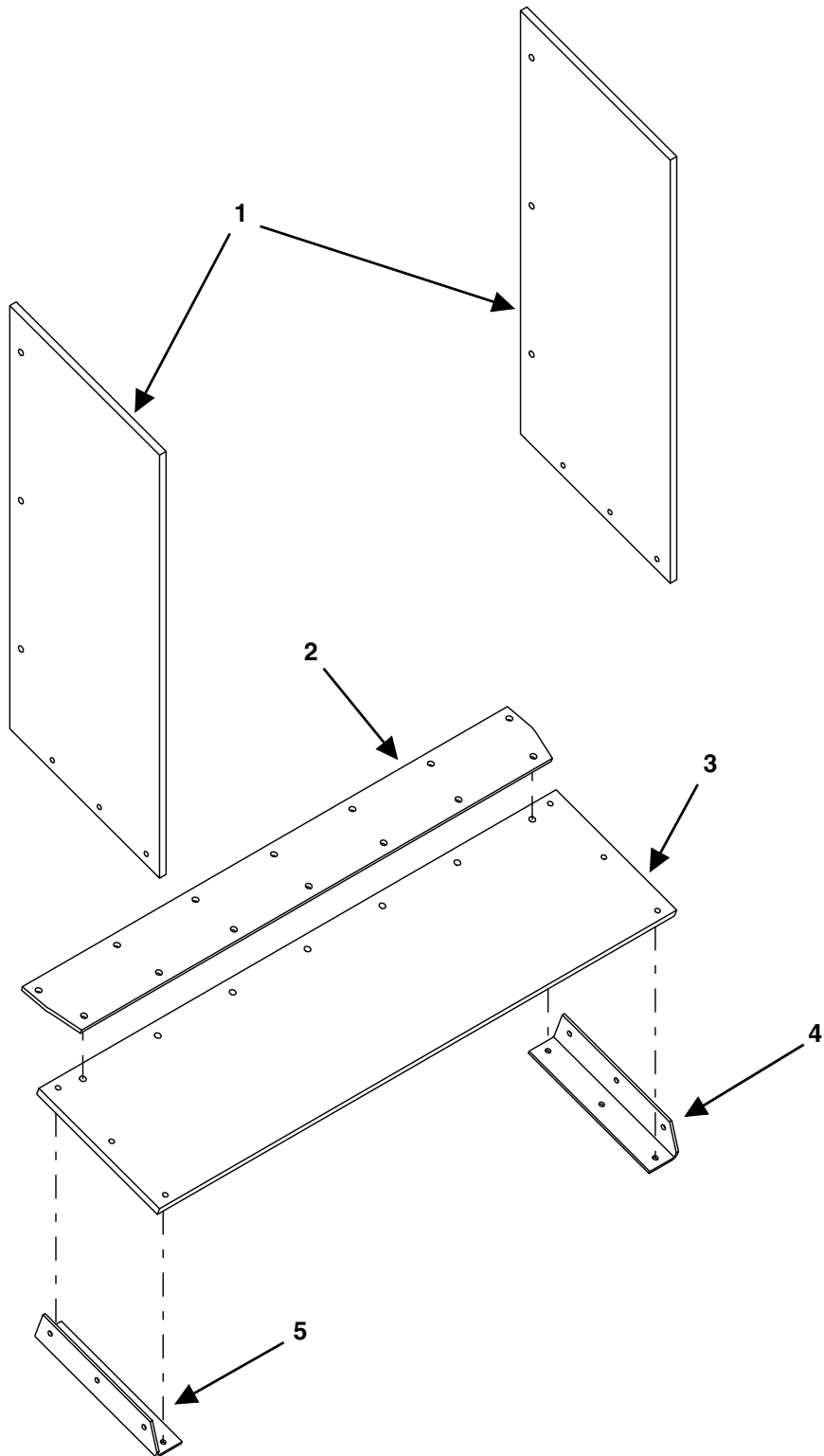
# REMOTE SCALE MOUNT



FM-255

KEY	PART NUMBER	QTY	DESCRIPTION	MIXER MODEL
0	VMSCM-405180	1	Remote Display Kit RD400 With TR Kit & 33' Cable/Visor	Both Models
	VMSCM-405200	1	Remote Display Kit RD400 With 33' Cable/Visor	Both Models
	VMSCM-407227	1	Remote Display Kit RD250 With 25' Cable	Both Models
1	M9-1-10-0001	1	Remote Scale Mount Bracket Weldment	Both Models
2	M9-1-10-0002	1	Remote Scale Mount Bracket	Both Models
3	M9-1-10-0003	1	Remote Scale Mount Belt Gusset	Both Models
4	58-0010-405180	1	RD4000 Remote Display Kit W/TR-33' Cable/Visor	Both Models
	58-0010-405200	1	RD4000 Remote Display Kit W/33' Cable/Visor	Both Models
5	815-2520-Z	4	1/4-20 Nylon Insert Lock Nut	Both Models
6	851-3816-1Z	8	3/8-16 x 1" Grade 5 Machine Bolt	Both Models
7	805-0038-Z	6	3/8" Flat Washer	Both Models
8	810-3816-Z	8	3/8" Spin Lock Nut	Both Models
9	851-2520-.75Z	4	1/4-20 x 3/4" Grade 5 Machine Bolt	Both Models
NS	58-0010-1	1	Remote Cable, Y-Harness For Dual Remote	Both Models

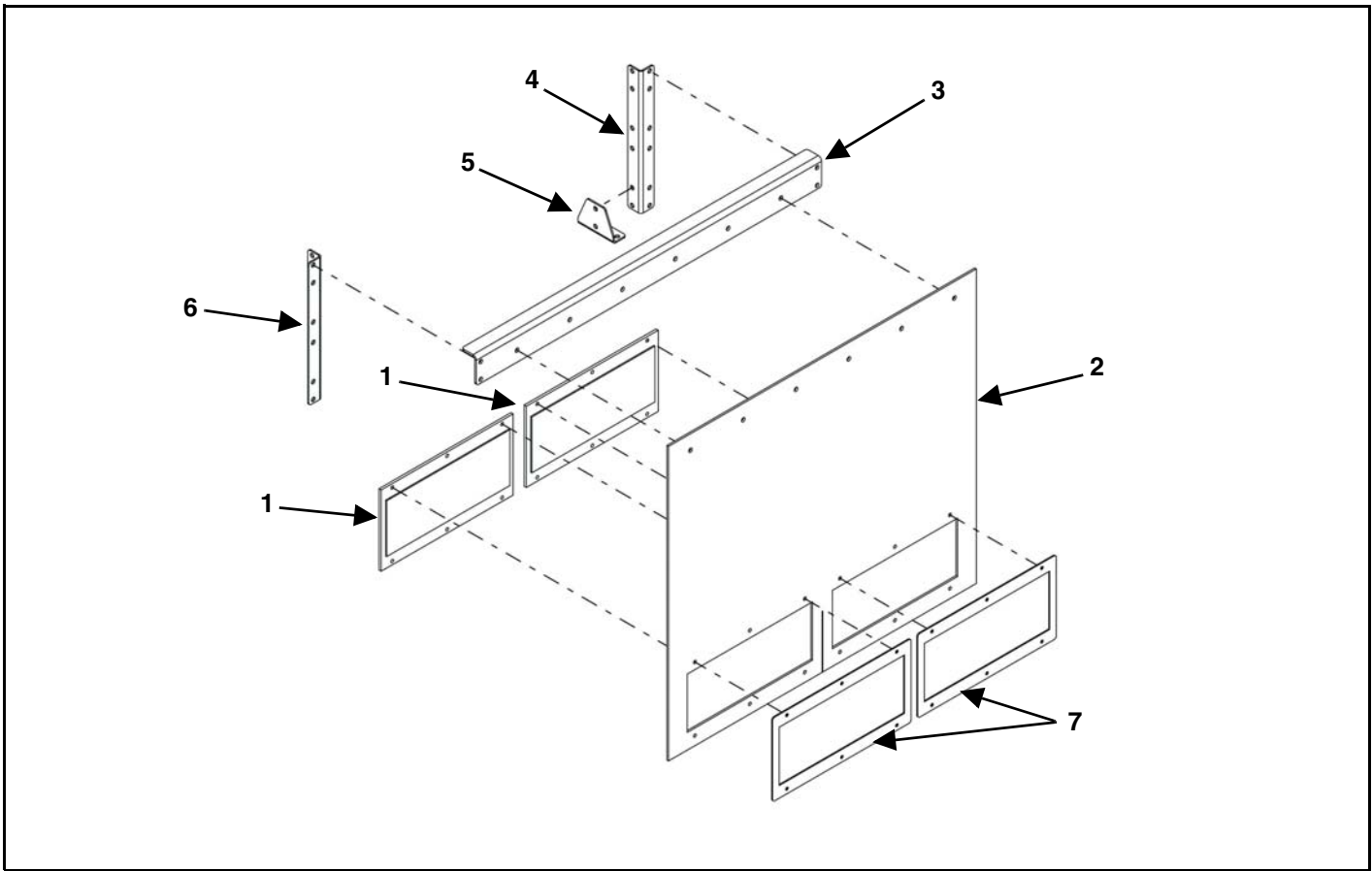
# RUBBER SIDE DOOR CHUTE ASSEMBLY



RUBBER SIDE DOOR CHUTE ASSEMBLY

KEY	PART NUMBER	QTY	DESCRIPTION	MIXER MODEL
0	VAS-SDBC-12	1	12" Side Door Belt Chute	Both Models
	VAS-SDBC-18	1	18" Side Door Belt Chute	Both Models
1	M11-4-0003-2	2	Chute Side Belt (12" Belt Chute)	Both Models
	M11-4-0003-2-18	2	Chute Side Belt (18" Belt Chute)	Both Models
2	M11-4-0003-3	1	Side Door Belt Chute Mount	Both Models
3	M11-4-0003-1	1	Chute Bottom Belt (12" Belt Chute)	Both Models
	M11-4-0003-1-18	1	Chute Bottom Belt (18" Belt Chute)	Both Models
4	M11-5-0002-4	1	Chute Corner Right Side Bracket (Facing Door) (12" Belt Chute)	Both Models
	M11-5-0002-4-18	1	Chute Corner Right Side Bracket (Facing Door) (18" Belt Chute)	Both Models
5	M11-5-0002-3	1	Chute Corner Left Side Bracket (Facing Door) (12" Belt Chute)	Both Models
	M11-5-0002-3-18	1	Chute Corner Right Side Bracket (Facing Door) (18" Belt Chute)	Both Models
NS	802T-2520-1Z	12	1/4-20 x 1" Truss Head Machine Screw (12" Belt Chute)	Both Models
	802T-2520-1Z	20	1/4-20 x 1" Truss Head Machine Screw (18" Belt Chute)	Both Models
NS	802T-3118-1.25Z	20	5/16-18 x 1-1/4" Truss Head Machine Screw	Both Models
NS	805-0025-Z	12	1/4" Flat Washer (12" Belt Chute)	Both Models
	805-0025-Z	20	1/4" Flat Washer (18" Belt Chute)	Both Models
NS	805-0031-Z	13	5/16" Flat Washer	Both Models
NS	810-3118-Z	7	5/16-18 Spin Lock Nut	Both Models
NS	815-2520-Z	12	1/4-20 Nylon Insert Lock Nut (12" Belt Chute)	Both Models
	815-2520-Z	20	1/4-20 Nylon Insert Lock Nut (18" Belt Chute)	Both Models
NS	815-3118-Z	13	5/16-18 Nylon Insert Lock Nut	Both Models

## CONVEYOR HANGING MAGNET/WEIGHT ASSEMBLY



KEY	PART NUMBER	QTY	DESCRIPTION	MIXER MODEL
0	VSAM-HMB-F	1	Hanging Magnet Kit For Left / Right Discharge (Front Flat Belt Conveyor)	Both Models
	VSAM-HMB-I	1	Hanging Magnet Kit For Left / Right Discharge (Front Incline Belt Conveyor)	Both Models
	VSAM-HDB-F	1	Hanging Weight Kit For Left/Right Discharge (Front Flat Belt Conveyor)	Both Models
	VSAM-HDB-I	1	Hanging Weight Kit For Left/Right Discharge (Front Incline Belt Conveyor)	Both Models
1	M11-1-0004	2	15" Hanging Magnet	Both Models
	M11-1-0026	2	15" Hanging Weight Plate	Both Models
2	M11-1-0003-4	1	Magnet Belting	Both Models
3	M11-1-0003-1	1	Hanging Magnet Mount	Both Models
4	M11-1-0003-2	1	Magnet Mount Rear Support Upright (Front Flat Belt Conveyor)	Both Models
	M11-7-0002	1	Magnet Mount Rear Support Upright (Front Incline Belt Conveyor)	Both Models
5	M11-1-0003-3	1	Magnet Support Mount	Both Models
6	M11-7-0002	1	Magnet Mount Front Support Upright	Both Models
7	M11-1-0003-4-1	2	Hanging Magnet/Weight Backer Plates	Both Models

## 10.0 SPECIFICATIONS

### MODELS F425, F510

DIMENSIONS	F425	F510
Overall Length - side door / front door	193" / 229"	197" / 232"
Mixing Chamber Length	155"	162"
Overall Height - (Standard Tires)		
- Standard Tire Size (Quantity)	12.5LX15-12 PLY (4)	12.5LX15-12 PLY (4)
- Optional Tire Size (Quantity)	245/70R19.5 (4)	245/70R19.5 (4)
- Optional Tire Size (Quantity)	380/60R16.5 (4)	380/60R16.5 (4)
- Base Machine	97"	107"
- Belt Extensions	103"	113"
- Hay Retention Ring	102"	112"
Tread Width	103"	103"
Transport Width - front conveyor / side conveyor - w/36" ext.	122" / 131"	123" / 132"
Max Discharge Reach		
- Front Cross Conveyor - flat	10"	10"
- Front Cross Conveyor - belt incline - 24" / 36" / 48"	29" / 37" / 49"	29" / 37" / 49"
- Side Conveyor - 24" / 36" / 48" / 60" / 72"	40" / 47" / 58" / 69" / 80"	40" / 47" / 58" / 69" / 80"
- Side Slide Tray	21"	21"
- Side Belt Extension	18"	18"
Max Discharge Height		
- Front Cross Conveyor - flat belt	25"	25"
- Front Cross Conveyor - belt incline - 24" / 36" / 48" @45 deg.	43" / 49" / 57"	43" / 49" / 57"
- Side Conveyor - 24" / 36" / 48" / 60" / 72" @ 45 deg.	45" / 51" / 59" / 68" / 76"	45" / 51" / 59" / 68" / 76"
- Side Slide Tray	17"	17"
- Side Belt Extension	26"	26"

SPECIFICATIONS	F425	F510
Mixing Capacity		
- Cubic Feet - no extensions/with extension	425/480	510/570
- Maximum Net Load - pounds	14,200	16,600
Augers		
- Qty.	1	1
- Diameter	107"	107"
- Speed - standard	40 RPM	40 RPM
- Upper Flighting Thickness	5/8"	5/8"
- Lower Flighting Thickness	3/4"	3/4"
- Knives - adjustable - (Standard Max Available)	5/7	6/8
Drive		
- Planetary	straight-drive	straight-drive
- PTO Drive	1000 RPM	1000 RPM
- Protection	shear-bolt	shear-bolt

SPECIFICATIONS	F425	F510
Discharge		
Door Opening - Front	42" x 40"	42" x 40"
Door Opening - Side	35" x 40"	35" x 40"
Door Opening - Rear	42" x 40"	42" x 40"
Conveyor Width - front/side	36" / 36"	36" / 36"
Discharge - Front Cross Conveyor Travel - left or right	8"	8"
Tub / Trailer Construction		
- Floor Thickness	5/8"	5/8"
- Sidewall Thickness	1/4"	1/4"
- Trailer or Subframe	in-line quad	in-line quad
- Spindle Diameter (Quantity)	2-3/4" (x4)	2-3/4" (x4)
- Scale System	4-point	4-point
- Tongue Weight - % gross	10%	10%
- Tractor Requirement - PTO HP	90	100







**Meyer Manufacturing Corporation**

674 W. Business Cty Rd A

Dorchester, WI 54425

Phone: 1-800-325-9103

Fax: 715-654-5513

Email: [parts@meyermfg.com](mailto:parts@meyermfg.com)

Website: [www.meyermfg.com](http://www.meyermfg.com)