

PB-SSTR



Side-To-Side Tarp System

Models 8100 • 9100 • RT • RTX

Supplemental Manual

&

Parts Book



Automated Covering Systems



MEYER
MFG. CORP.



PRODUCT
MANUALS

6/2023

1.0 IMPORTANT INFORMATION

This supplement document is to be used in addition to the standard Operator Manual that was shipped with your implement along with the documents that Roll-Rite provides for their equipment.

Meyer Manufacturing Corporation
674 W. Business Cty Rd A
Dorchester, WI 54425
Phone: 1-800-325-9103
Fax: 715-654-5513
Email: parts@meyermfg.com
Website: www.meyermfg.com



2.0 PRE-DELIVERY & DELIVERY CHECK LIST

MEYER MANUFACTURING CORPORATION

Phone: 715-654-5132 • Toll-Free: 1-800-325-9103 • P.O. Box 405 • Dorchester, WI 54425

See Implement Owner's Manual for predelivery and delivery checklist and Meyer product registration.



3.0 INTRODUCTION

Congratulations on your purchase of a new Meyer farm equipment product. Undoubtedly you have given much consideration to your purchase and we're proud that you have selected Meyer. Pride in craftsmanship, engineering and customer service have made Meyer products the finest in the farm equipment industry today.

There is no substitute for quality. That is why thousands of people like you have purchased Meyer farm equipment. They felt it was the best equipment to serve their farming needs, now and in years to come. We ask that you follow our policy of "safety first", and we strongly suggest that you read through the "Owner / Operator's Manual & Parts Book" before operating your Meyer farm equipment. Meyer Manufacturing Corporation wants to thank you for not compromising quality. We are determined to offer excellence in customer service as well as provide you with the very best value for your dollar.

Sincerely,

All Employees of

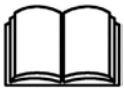
MEYER MANUFACTURING CORPORATION

The information being provided, is not to supersede Roll-Rite's® documents, but to be used in conjunction with their documents.

See Roll-Rite's® manuals for details and warnings. www.rollrite.com or call Roll-Rite at 1-800-297-9905



IMPORTANT: You are urged to study this manual and follow the instructions carefully. Your efforts will be repaid in better operation and service as well as a savings in time and repair expense. Failure to read this manual and understand the machine could lead to serious injury. If you do not understand instructions in this manual, contact either your dealer or Meyer Manufacturing Corporation in Dorchester, WI.



REPAIR PARTS: At the back of this manual is the repair parts section. All replacement parts are to be obtained from, or ordered through, your Meyer dealership. When ordering repair parts, refer to the parts section and give complete information including quantity, correct part number, detailed description and even model number and serial number of the Implement which needs repair parts.

Manufacturer's Statement: Meyer Manufacturing Corporation reserves the right to make improvements in design, or changes in specifications at any time, without incurring any obligation to owners of units previously sold. This supersedes all previous published instructions.



4.0 MANUFACTURER'S WARRANTY

Roll-Rite's warranty will be applicable on all Roll-Rite components.



TABLE OF CONTENTS

| | | |
|---------|---|----|
| 1.0 | IMPORTANT INFORMATION..... | 2 |
| 2.0 | PRE-DELIVERY & DELIVERY CHECK LIST | 3 |
| 3.0 | INTRODUCTION..... | 5 |
| 4.0 | MANUFACTURER'S WARRANTY | 7 |
| 5.0 | SAFETY | 11 |
| 5.1 | SAFETY PRECAUTIONS | 12 |
| 5.2 | SAFETY SIGNS | 12 |
| 5.3 | SHUTOFF & LOCKOUT POWER..... | 13 |
| 5.3.1 | SHUTOFF & LOCKOUT POWER PROCEDURE | 13 |
| 5.3.2 | REMOVE AND ISOLATE THE SOURCE OF ELECTRICAL POWER | 14 |
| 5.3.3 | RELEASING STORED ENERGY | 14 |
| 5.3.3.1 | DISSIPATING STORED SPRING ENERGY PRIOR TO SERVICE..... | 14 |
| 6.0 | PRE-OPERATION | 17 |
| 6.1 | STATIC INSPECTION | 17 |
| 6.2 | ELECTRICAL HOOK-UP | 17 |
| 6.2.1 | WIRING SCHEMATICS | 18 |
| 6.2.1.1 | 9100 TRAILERS PRIOR TO SN 1391259..... | 18 |
| 6.2.1.2 | 9100 TRAILERS SN 1391259 & LATER | 19 |
| 6.3 | START-UP AND SHUT-DOWN | 20 |
| 6.4 | OPERATIONAL CHECKS..... | 20 |
| 6.5 | CONTROLS | 20 |
| 6.6 | OPTIONAL EQUIPMENT..... | 21 |
| 7.0 | OPERATION | 23 |
| 7.1 | LOADING | 23 |
| 8.0 | MAINTENANCE | 25 |
| 8.1 | LUBRICATION..... | 25 |
| 8.2 | ADJUSTMENTS..... | 26 |
| 8.2.1 | TARP RETURN TENSION | 26 |
| 8.2.2 | TARP ADJUSTMENT | 26 |
| 8.3 | STORING AN IMPLEMENT WITH TARP SYSTEM | 26 |
| 8.4 | TROUBLESHOOTING | 27 |
| 8.4.1 | TARP SYSTEM CONTROL MODULE LED CODES | 27 |
| 8.4.2 | TROUBLESHOOTING GUIDE | 27 |

TABLE OF CONTENTS

| | |
|--|----|
| 9.0 PARTS REPAIR AND REPLACEMENT | 29 |
| TARP COMPONENTS (8100 & 9100) | 30 |
| SYSTEM, PASSENGER 3" AXLE & SPRING RETURN (RTX222 & RTX224 BODY) | 32 |
| ELECTRIC KIT WITH RELAY AND ROCKER SWITCH..... | 34 |
| 6-SPRING TOP MOUNT PIVOT W/O TUBE (PASSENGER STOWAGE) | 36 |
| FRONT PIVOT ARM | 37 |
| AXLE KIT..... | 38 |
| AXLE HARDWARE | 39 |
| TARP RETURN..... | 40 |
| BOWS & MOUNTING COMPONENTS..... | 41 |
| 10.0 MAINTENANCE RECORDS | 43 |

5.0 SAFETY

The Meyer Implement is manufactured with operator safety in mind. Located on the implement are various safety signs to aid in operation and warn of danger or caution areas. Pay close attention to all safety signs on the implement.

Carefully follow the operating and maintenance instructions in this manual and all applicable safety laws. Failure to follow all safety procedures may result in serious injury or death.

Before attempting to operate this implement, read and study the following safety information. In addition, make sure that every individual who operates or works with the implement, whether family member or employee, is familiar with these safety precautions.

Meyer Mfg. Corp. provides guards for exposed moving parts for the operator's protection; however, some areas cannot be guarded or shielded in order to assure proper operation. The operator's manual and safety signs on the implement itself warn you of dangers and must be read and observed closely!



Safety Alert Symbol

This symbol is used to call attention to instructions concerning personal safety. Be sure to observe and follow these instructions. Take time to be careful!



DANGER

The signal word **DANGER** on the machine and in the manual identifies a hazardous situation which, if not avoided, WILL result in death or serious injury.



WARNING

The signal word **WARNING** on the machine and in the manual indicates a potentially hazardous situation which, if not avoided, COULD result in serious injury or death.



CAUTION

The signal word **CAUTION** on the machine and in the manual indicates a potentially hazardous situation which, if not avoided, MAY result in minor or moderate injury. It may also be used to alert against unsafe practices.

IMPORTANT

This notice identifies procedures which must be followed to avoid damage to the machine.

Danger, Warning, Caution, and instructional decals and plates are placed on the equipment to protect anyone working on or around this machine, as well as the components of the machine. All personnel operating or maintaining this equipment must familiarize themselves with all Danger, Warning, Caution, and instructional decals and plates.

5.1 SAFETY PRECAUTIONS



All individuals who will operate this implement must read and completely understand this Supplement Manual. Operator must receive instructions before operating the machine. Untrained operators can cause injury or death.

- DO NOT allow anyone to operate, service, inspect or otherwise handle this implement until all operators have read and understand all of the instructional materials in the Supplement and Parts Manual and have been properly trained in its intended usage.
- Operator's must not use drugs or alcohol which impair alertness or coordination while working. An operator who is taking prescription drugs must get medical advice to determine if he or she can safely operate a machine and the equipment.
- Make sure all personnel can READ and UNDERSTAND all safety signs.
- DO NOT allow minors (children) or inexperienced persons to operate this implement.
- DO NOT operate until all shields and guards are in place and securely fastened.
- DO NOT step up on any part of the implement at any time.
- DO NOT adjust, clean or lubricate while the implement is in motion.
- Inspect when first delivered and regularly thereafter; that all connections and bolts are tight and secure before operating.
- Know how to stop operation of the implement before starting it!
- Make certain everyone is clear of the implement before applying power.
- Keep hands, feet and clothing away from moving parts. Loose or floppy clothing should not be worn by the operator.
- Observe all applicable traffic laws when transporting on public roadways (where legal to do so). Check local laws for all highway lighting and marking requirements.
- Shut off and lock out power before adjusting, servicing, maintaining or clearing an obstruction from this machine. Refer to Section 5.3 SHUTOFF & LOCKOUT POWER.

5.2 SAFETY SIGNS



Read all safety signs on the implement and in this manual. Keep all safety signs clean and replace any damaged or missing safety signs before operating the equipment. Do not remove any safety signs. Safety signs are for operator protection and information.

See Roll-Rite's Side to Side Tarp Manual for all applicable safety signs.

5.3 SHUTOFF & LOCKOUT POWER



Any individual that will be adjusting, servicing, maintaining, or clearing an obstruction from this machine needs to ensure that this machine stays safely OFF until the adjustment, service, or maintenance has been completed, or when the obstruction has been cleared, and that all guards, shields, and covers have been restored to their original position. The safety of all individuals working on or around this machine, including family members, are affected. The following procedure will be referred to throughout this manual, so be familiar with the following steps.

5.3.1 Shutoff & Lockout Power Procedure

1. Think, Plan and Check

- a. **THINK** through the entire procedure and identify all the steps that are required.
- b. **PLAN** what personnel will be involved, what needs to be shut down, what guards/shields need to be removed, and how the equipment will be restarted.
- c. **CHECK** the machine over to verify all power sources and stored energy have been identified including, but not limited to, engines, hydraulic and pneumatic systems, springs and accumulators, and suspended loads known.

2. **Communicate** - Let everyone involved, including those working on or around this machine, that work is being done which involves keeping this machine safely "OFF".

3. Power Sources

- a. **LOCKOUT** - Shut off engines and take the key, or physically lock the start/on switch or control. Disconnect any power sources which are meant to be disconnected (i.e. electrical, hydraulic, and PTO of pull-type units).
- b. **TAGOUT** - Place a tag on the machine noting the reason for the power source being tagged out and what work is being done. This is particularly important if the power source is not within your sight and/or will need to be isolated for a longer period of time.

4. **Stored Energy** - Neutralize all stored energy from its power source. Ensure that this machine is level, set the parking brake, and chock the wheels. Disconnect electricity, block movable parts, release or block spring energy, release pressure from hydraulic and pneumatic lines, and lower suspended parts to a resting position.

5. **Test** - Do a complete test and personally double check all of the above steps to verify that all of the power sources are actually disconnected and locked out.

6. **Restore Power** - When the work has been completed, follow the same basic procedures, ensuring that all individuals working on or around this machine are safely clear of the machine before locks and tags are removed and power is restored.

IMPORTANT

It is important that everyone who works on this equipment is properly trained to help ensure that they are familiar with this procedure and that they follow the steps outlined above. This manual will remind you when to SHUTOFF & LOCKOUT POWER.

5.3.2 Remove and Isolate the Source of Electrical Power



WARNING

Failure to complete required actions in the order specified in this document may result in Hazardous Condition leading to serious personal injury or property damage.

Any of the following steps removes all sources of power from the Automated Tarp Covering System.

First Priority:

Disconnect all of the Negative Terminals from the 12V Battery System on the Truck Chassis.

Disconnecting the negative terminals will remove all power on the chassis, preventing current flow to and from the stored energy in the battery system.

Second Priority:

Disconnect the Trailer Plug from the Trailer Front Bulkhead. Lift the spring loaded cover lock and pull the plug out of the connector on the trailer front bulkhead. Disconnecting the trailer plug will remove all power from the trailer chassis and tarp covering system components.

Third Priority:

If neither of the first and second priority are available options, contact Roll Rite at 800-297-9905.

5.3.3 Releasing Stored Energy

The following instructions have been created using Roll Rite document #105214. For original and updated information go to www.rollrite.com.



WARNING

Before servicing this equipment, ensure that all personnel, including family members are familiar with the equipment and the safety hazards that are present, along with the safety practices that should be observed while working in this equipment.

5.3.3.1 Dissipating Stored Spring Energy Prior to Service



WARNING

Failure to complete required actions in the order specified in this document may result in Hazardous Condition leading to serious personal injury or property damage

Test if the system operates to close the tarp cover by pressing **Close** on the Covering System Motor Controller.

If the motor operates and closes the tarp cover:

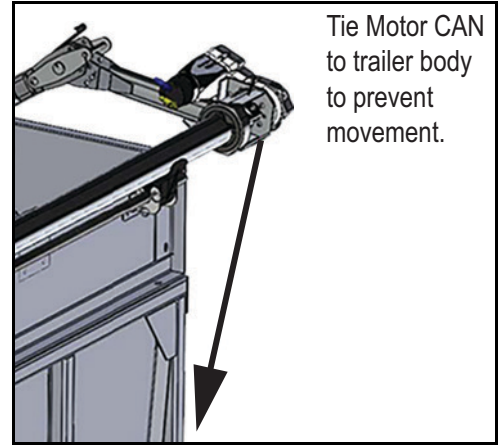
1. Roll the Axle toward the **Fully Covered** position.
2. Stop rolling the axle when it has rolled to its lowest height position on the trailer.
3. The stored spring energy is now at its lowest point and the hazard is minimized.

If the motor does not operate:

1. Using the 2" ratchet strap, securely fasten the top portion of the Front Arm Stabilizer "CAN" down to a rigid location on the trailer body or frame.

NOTE: The attachment point on the frame and the ratchet mechanism must be accessible from ground level while standing on the *Cover Fully Open* side of the vehicle.

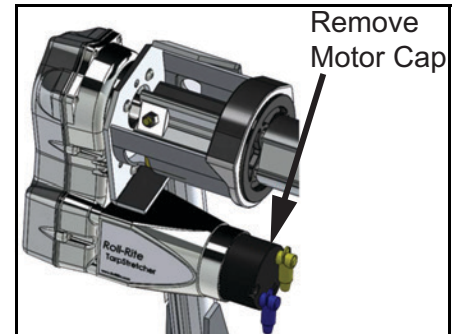
2. Ratchet the front arm down firmly to the trailer top rail or tarp stops to prevent movement of front arm from Stored Spring Energy.
3. Using a 10mm socket and wrench, remove the power wires from the motor terminals.
4. Using a 10mm socket and ratchet wrench, remove the black plastic motor cap located directly under the motor wire terminals



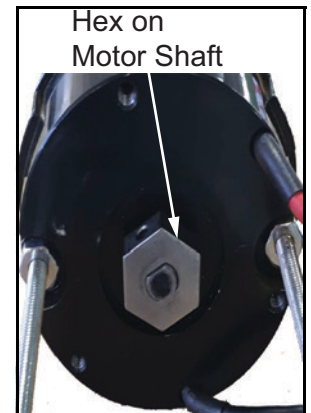
NOTE: The brake circuit prevents the brake from being completely removed from the assembly. It is OK to leave the brake motor hanging from the wire leads.

5. Stand at ground level in front of the tarp axle, and away from the tarp arms.
6. Slowly release the ratchet strap in small increments.

NOTE: By removing the motor brake, the arm is now free to move using stored potential spring energy. Letting out the ratchet strap releases the spring energy and rotate the Arm about the Front Pivot Pin.



7. Continue to release the ratchet strap in small increments until the cover is **Fully Covered** and the Tarp Arm is at its lowest position.
8. If the system does not move with the brake removed, it will be necessary to move the motor shaft with a 3/4" hex socket with 12" extension, and 1/2" drive ratchet. Then rotate the motor head clockwise for the passenger side, and counter clockwise for the driver side until the Tarp Arm is **at rest at the Lowest Position.**





6.0 PRE-OPERATION



Always keep all shields and guards in place and securely fastened. Keep hands, feet and clothing away.



DO NOT allow anyone to operate, service, inspect or otherwise handle this implement until all operators have read and understand all of the instructional materials in this Owner / Operator's and Parts Manual and have been properly trained in its intended usage.

Verify that the implement is securely fastened to the tractor/truck.

Verify that all electrical/hydraulic connections and bolts/hardware are tight and securely fastened before operating the implement.

Wear safety glasses to prevent eye injury when any of the following conditions exist:

- When fluids are under pressure.
- Flying debris or loose material is present.
- Tools are being used.

6.1 STATIC INSPECTION

Before operating the implement for the first time and each time thereafter, check the following items:

1. Check that all safety signs are in good and legible condition.
2. Check that all lubrication has been completed. Refer to Section 8.1 LUBRICATION.
3. Make sure all guards and shields are in place, secured and functioning as designed.
4. Check the tarp return strap is in good workable condition. Refer to Section 8.2 ADJUSTMENTS.
5. Check the tarp springs for damage.
6. Check for any damage to the tarp or any moving components of the tarp system.

6.2 ELECTRICAL HOOK-UP

Semi-Tractor hookup:

There is an electrical kit that needs to be installed onto the Semi-Tractor.

There is a 2-pin power cable/plug, 4-pin switch cable/plug, a circuit breaker, and a rocker switch that will need to be installed to operate the tarp system.

To outfit additional Semi-Tractors, call your parts department and order the appropriate kit which may be different depending on your serial number.

See electrical schematics.

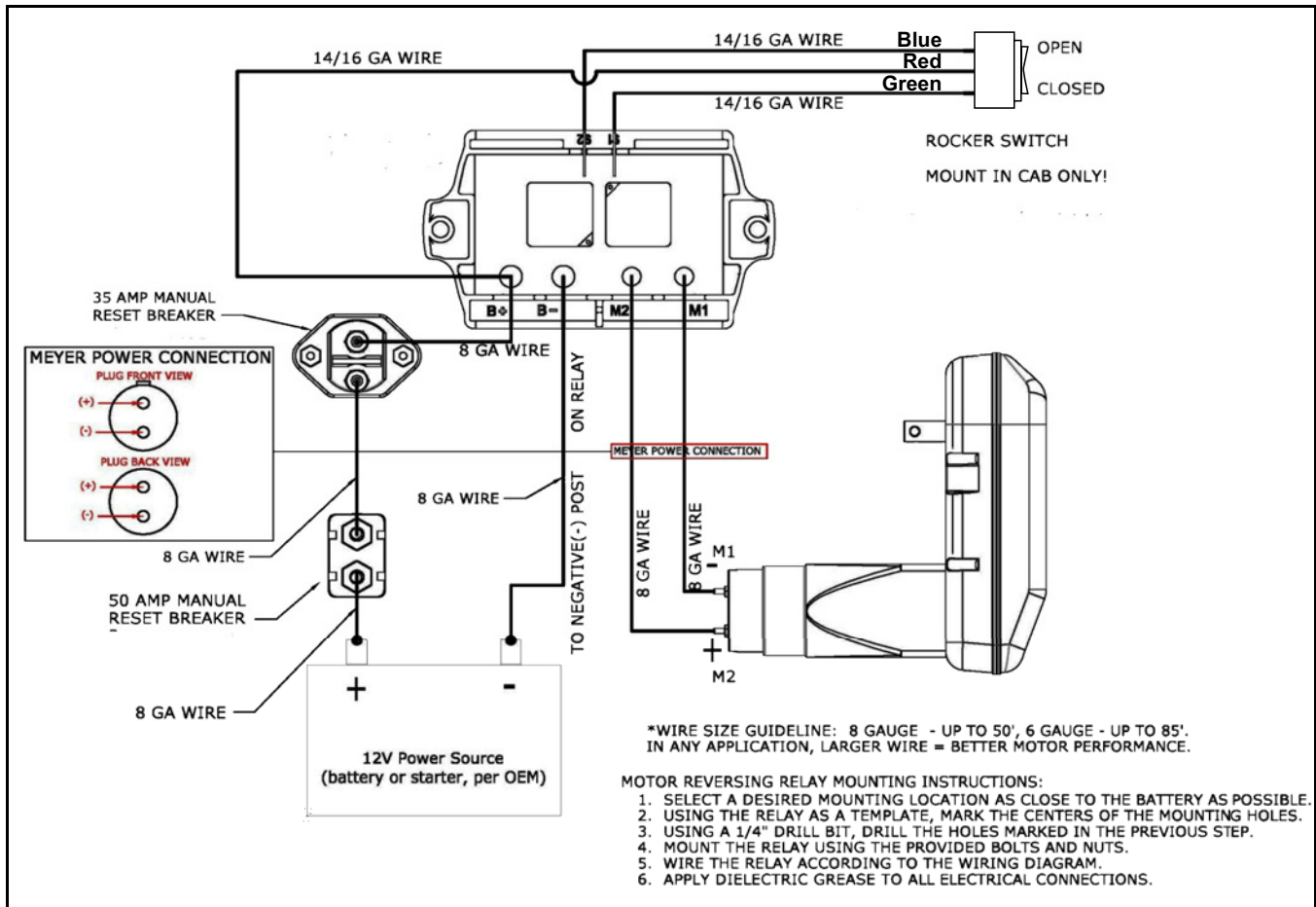
Truck mounts:

There is a 2-pin power cable, 4-pin switch cable, circuit breaker and a rocker switch that will need to be installed to operate the tarp system.

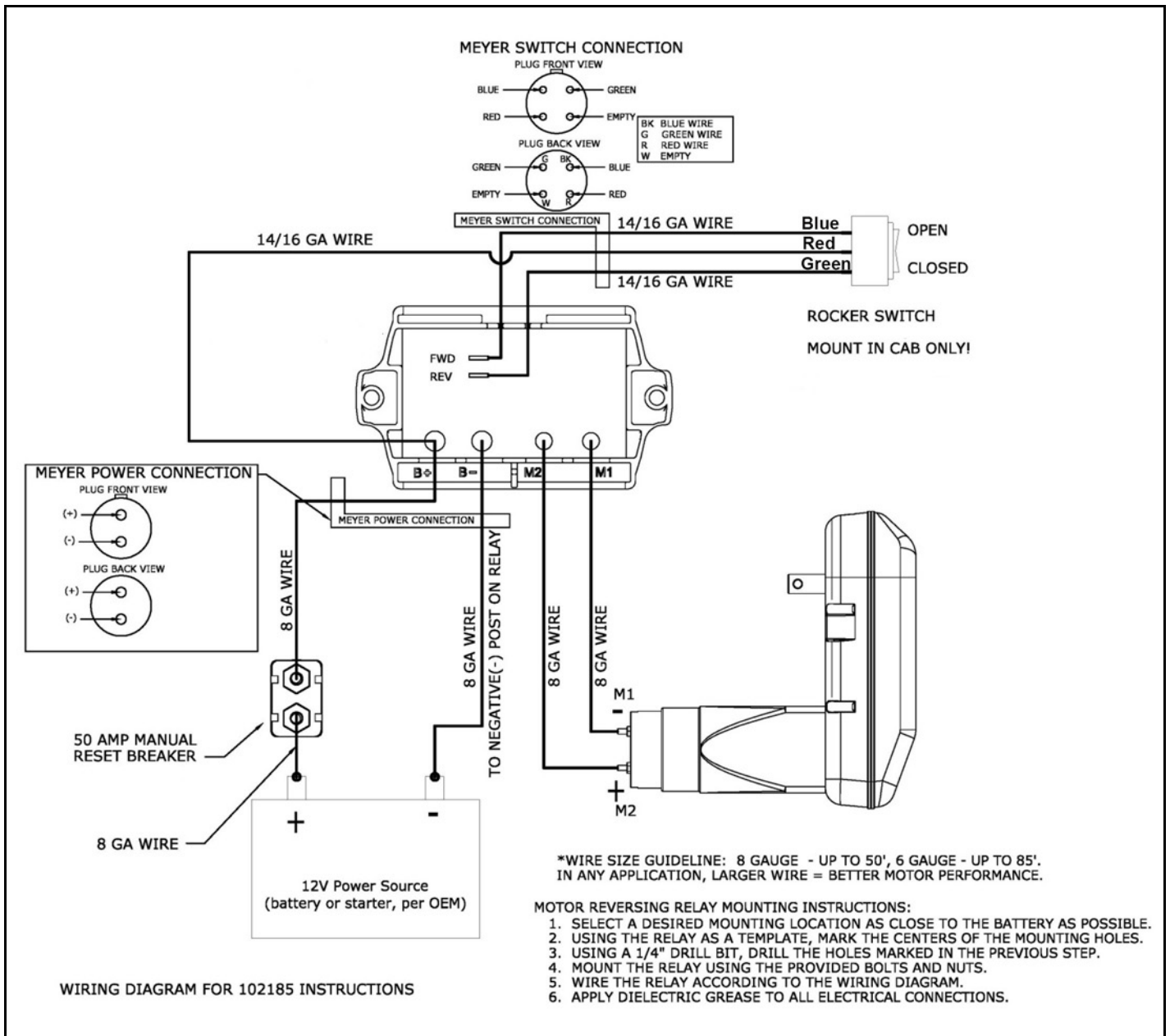
See Wiring Diagrams on 18 and 19.

6.2.1 Wiring Schematics

6.2.1.1 9100 Trailers Prior to SN 1391259



6.2.1.2 9100 Trailers SN 1391259 & Later



6.3 START-UP AND SHUT-DOWN



Disengage electric/ hydraulic power, engage the machine's parking brake, stop the engine and make sure all moving components are completely stopped before connecting, disconnecting, adjusting or cleaning this equipment.

Always keep all shields and guards in place and securely fastened. Keep hands, feet and clothing away.



Before operating the implement, look in all directions to ensure there are no bystanders, especially small children, are in the work area.

This Tarp System is activated using electric power, it's wired directly to the battery.

6.4 OPERATIONAL CHECKS



Always keep all shields and guards in place and securely fastened. Keep hands, feet and clothing away.

Run your tarp all the way open and all the way closed to make sure of proper tarp operation.

6.5 CONTROLS

Your Side to Side tarping system comes standard with Roll-Rite's® patented One-Touch (Automatic) open and close feature.

- When the switch is held for 2-3 seconds the tarp will automatically open or close.
- Touch the switch while it is in operation, and it will return to manual mode.
- If you hold the switch for longer than 3 seconds, the switch will operate in manual mode.
- This is an amp sensing control and therefore will operate until the amps are met.

NOTE: It is important to follow the wiring diagram as there are different amp requirements between opening and closing operations. If hooked up backwards, it may cause damage to the system.

- A function light comes with the control, located on the relay at the front of the implement.
- When the motor is running a solid light will emit.
- If there is a malfunction of the unit, it will give a blink code.
- Use the blink code to help resolve the malfunction. See the trouble shooting guide for further details.
- An optional RF control is available. Refer to Section 6.6 OPTIONAL EQUIPMENT

Manual Mode:

To cover the load, actuate the switch to the close/cover position. The tarp will move from the stowed position and across the trailer to the tarped position.

NOTE: If tarp is operating opposite of what is noted on the switch, check electrical wiring circuit.

- Release the switch when the tarp and axle is locked under the locking lip and stops moving.
- To uncover the load, actuate the switch to the open/uncover position.
- The gear motor will wrap the tarp around the tarp axle causing the axle to move from the tarped position to the stowed position.
- Release the switch/lever when the axle is resting in the tarp catches.
- This tarp system can be opened part way and stopped. When you release the switch the tarp system will stop. It will not hurt the tarp system to stop part way through the tarping cycle.
- Never travel with the tarp in a partially covered position. The trailer should be fully covered when traveling.

6.6 OPTIONAL EQUIPMENT

An optional RF control is available.

With this control, the rocker switch is disconnected or not installed, and a receiver is connected in its place.

Using a Key Fob, you can program the unit to open and close.

With this option the rocker switch becomes inactive and should be removed.

The RF Control can be programmed to shut down after a specified amount of time, or indefinitely. See instruction 101793 for details at www.rollrite.com.



7.0 OPERATION



- **DO NOT** allow anyone to operate, service, inspect or otherwise handle this implement until all operators have read and understand all of the instructional materials in this Operator's and Parts Manual and have been properly trained in its intended usage.
 - **Before operating the implement, look in all directions to ensure there are no bystanders, especially small children, in the work area.**
 - **Do not climb or step on any part of the implement at any time.**
- Press the Open or Closed Button of the switch to operate the tarp system.
 - Pressing it for 2-3 seconds will cause the system to run in Auto mode, while pressing it for longer than 3 seconds will leave it in manual mode.
 - When using the optional RF control, use the buttons that were programmed to open and close the tarp system.
 - The Optional RF control key fob will also work in Auto mode.

7.1 LOADING



Shutoff and lockout power before adjusting, servicing, maintaining, or clearing an obstruction from this machine. Refer to section 5.3 SHUTOFF & LOCKOUT POWER.

Open the tarp system so that it is open/stowed. When loading the implement, load from the non-stowed side so damage to the tarp system does not occur.



8.0 MAINTENANCE



Shutoff and lockout power before adjusting, servicing, maintaining, or clearing an obstruction from this machine. Refer to section 5.3 SHUTOFF & LOCKOUT POWER.

Note: *Maintenance intervals vary based on environmental conditions.*

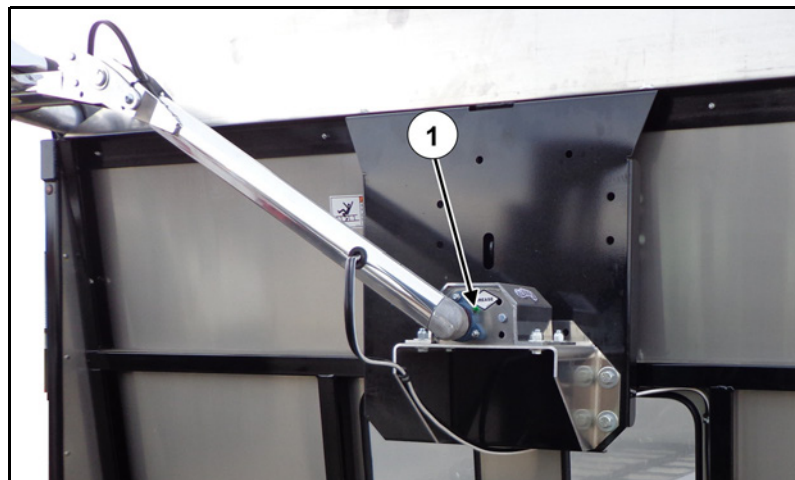
Roll-Rite® designs its tarping systems and power kits to be as maintenance free as possible, contributing to the overall value of the product.

8.1 LUBRICATION

Roll-Rite recommends that:

All electrical connections should be cleaned and greased regularly to prevent corrosion (fill all electrical boots, limit switch boots, etc. with dielectric grease). Electrical connections can be found at all motors, switches, contactors, limit switches, control boxes and batteries.

- All bearings with grease fittings must be greased regularly.
- Check and tension all set screws. Set screws should be tightened until they touch and then torque them $\frac{3}{4}$ of a revolution beyond that.
- Check motor mounting bolts and torque to 70 in-lbs (5.8 ft-lbs).
- All mounting hardware should be checked to ensure all system components are securely fastened.
- Visually inspect all moving parts for abnormal or excessive wear.



8.2 ADJUSTMENTS

The spring pack and front arm assembly in the front have three positions to adjust spring tension. If too much or too little spring tension is occurring an adjustment can be made. Refer to Section 5.3.2 Remove and Isolate the Source of Electrical Power. For more tension move the pin towards the spring and less tension move away from the spring.

8.2.1 Tarp Return Tension

1. Position the tarp so it covers the implement and lays loosely to the side of the trailer unwrapped.
2. Remove the end cap at the end of the axle.
3. Remove the bushing guide screw and the tarp return bushing.



CAUTION

Spring tension is present when removing the tarp return bushing.

4. Wrap the strap fully around the tarp return reel. If the strap ends past the top center of the reel, unwrap the last portion of the strap.
5. With the strap installed around the bushing, pull the strap up and onto the axle.
6. Reinstall the guide screw in the same hole.
7. Reinstall the end cap to the back side of the axle.
8. Open and close the tarp to make sure proper tension is on the strap.

Note: Proper tension is when a small amount of tension remains on the reel when the tarp is fully laid over the trailer and no wraps of tarp around the axle.

Minor Adjustment:

If the tarp still needs some adjustment the two bolts holding the reel to the trailer can be removed and the reel can be rotated 180°, then reinstall the mounting hardware. Repeat the steps above for proper tension.

8.2.2 Tarp Adjustment

Excessive tarp wear can occur if the tarp is not properly secured before traveling. Make sure the tarp is properly tensioned in the stowed or closed position before traveling.

8.3 STORING AN IMPLEMENT WITH TARP SYSTEM

LOCKOUT/TAGOUT the implement. Refer to Section 5.3 SHUTOFF & LOCKOUT POWER

- Remove all material build-up.
- Lubricate the equipment. Refer to 8.1 Lubrication.
- Inspect tarp for wear or damage. Repair or replace components as necessary.
- Make appropriate adjustments to equipment. Refer to 8.2 Adjustments.
- Verify tarp is in stowed position. Refer to 8.2 Adjustments.
- Check for loose hardware, missing guards, or damaged parts.
- Check for damaged or missing safety signs (decals). Replace if necessary.

8.4 TROUBLESHOOTING

8.4.1 Tarp System Control Module LED Codes

| LED Activity | LED Description | LED Activity Duration |
|--------------|---|---|
| Off | Ready to run | While at rest |
| Solid On | Motor is running normally | While running |
| 2 Flashes | Programmed stall current: Indicates proper tarp tension at end of cycle. | Repeats twice then resets |
| 3 Flashes | Module over current protection | Repeats for 10 seconds then resets |
| 4 Flashes | Motor overheat protection | Repeats for 10 seconds then resets |
| 5 Flashes | Over voltage (>15.5 volts) | Will repeat continuously until voltage drops below 15.5 volts then reset after 10 sec. During 10 sec reset, unit will function normally. |
| 6 Flashes | Under voltage (<7.5 volts) | Will repeat continuously until voltage is above 7.5 volts then reset after 10 sec. During 10 sec reset, unit will function normally. |
| 7 Flashes | Wiring fault: no load attached, motor leads improperly connected, motor lead shorted to ground. | Will continue to repeat until fault is corrected, then reset. |

Notes

- **The unit will not function while the LED is flashing, except as noted above.**
- **Wiring incorrectly or shorting across the terminals while wiring could damage the module.**

8.4.2 Troubleshooting Guide

| Problem | Problem Description |
|--|---|
| No Operation No LED | If attempting to operate the module and there is no LED activity, check the power supply (dead battery, severed connection to battery, circuit breaker tripped, etc). No operation could also mean that the + and – wires are backwards/swapped. |
| 2 Flashes | If flashing this code before end of cycle, there is likely a problem with the tarp system. Check the system for obstructions or damage that would cause added difficulty to roll the tarp. Repair issue and try running system again. |
| 3 Flashes | Same as above. |
| 4 Flashes | Caused by excessive cycling without allowing the motor to cool down. Allow the motor to cool down and try again (longer cool down time = longer allowable operation time). |
| 5 Flashes | Check battery voltage and alternator voltage. Repair issue and try running system again. |
| 6 Flashes | Check battery voltage. If okay then check for poor connection between battery and module (loose or corroded terminal, damaged wire, damaged circuit breaker), etc. |
| 7 Flashes | There are multiple reasons for this code: Bad connection between module and motor. Check for loose or corroded connections or bad motor (example: worn out brushes). Motor lead shorted to ground. Check for bare or pinched wires between module and motor. Damaged module. This can occur if the module is wired or connected improperly or if arcing occurs across the terminals. To check for a damaged module, leave power and ground connected, completely disconnect the motor wires, and use a metal wrench or screwdriver to short across the M1 & M2 terminals on the module. If the module still blinks the 7 flash code it will need to be replaced. Mis-wired. Check for battery wires connected to the motor output terminals and the motor wires connected to the + and – input terminals. |
| One Way / Intermittent Operation | Check for disconnected or loose input wire. Check for moisture or contamination between the module spade terminals. Clean and add dielectric grease. Also check output from switch/RF. Switch/RF should only have voltage in one direction at a time when depressed. If both switch/RF outputs have voltage simultaneously, relay output will be sporadic. If so, replace switch/RF. |
| Motor Instantly On When Power is Connected | Mis-wired. Check for battery wires connected to the motor output terminals and motor wires connected to the + and – input terminals. |



9.0 PARTS REPAIR AND REPLACEMENT

WARNING

Before servicing this equipment, ensure that all personnel, including family members are familiar with the equipment and the safety hazards that are present, along with the safety practices that should be observed while working in this equipment.

CAUTION

Inspect the axles, o-beams, spindles, tires, hitches and all safety shielding, safety signs and safety lighting regularly. These parts if not watched closely, could pose potential injury or death. If any part is found in need of repair, follow the SHUTOFF & LOCKOUT POWER recommendations and have qualified personnel repair immediately.

CAUTION

Shutoff and lockout power before adjusting, servicing, maintaining, or clearing an obstruction from this machine. Refer to section 5.3 SHUTOFF & LOCKOUT POWER.

IMPORTANT

It is important that everyone who works on this equipment is properly trained to help ensure that they are familiar with this procedure and that they follow the steps outlined above. This manual will remind you when to SHUTOFF & LOCKOUT POWER.

At times, parts on this implement will become worn or damaged. Performing repairs on this implement can pose a risk of injury including death. To reduce risk, the party that will be doing the repair should be very knowledgeable of the implement and the equipment that they will be using to do the repair.

- Review the repair so that a plan can be put together and the proper equipment can be used to repair this implement safely and correctly.
- Personal safety equipment may include items such as safety glasses, protective footwear, hearing protection, gloves, fire retardant clothes, etc.

WARNING

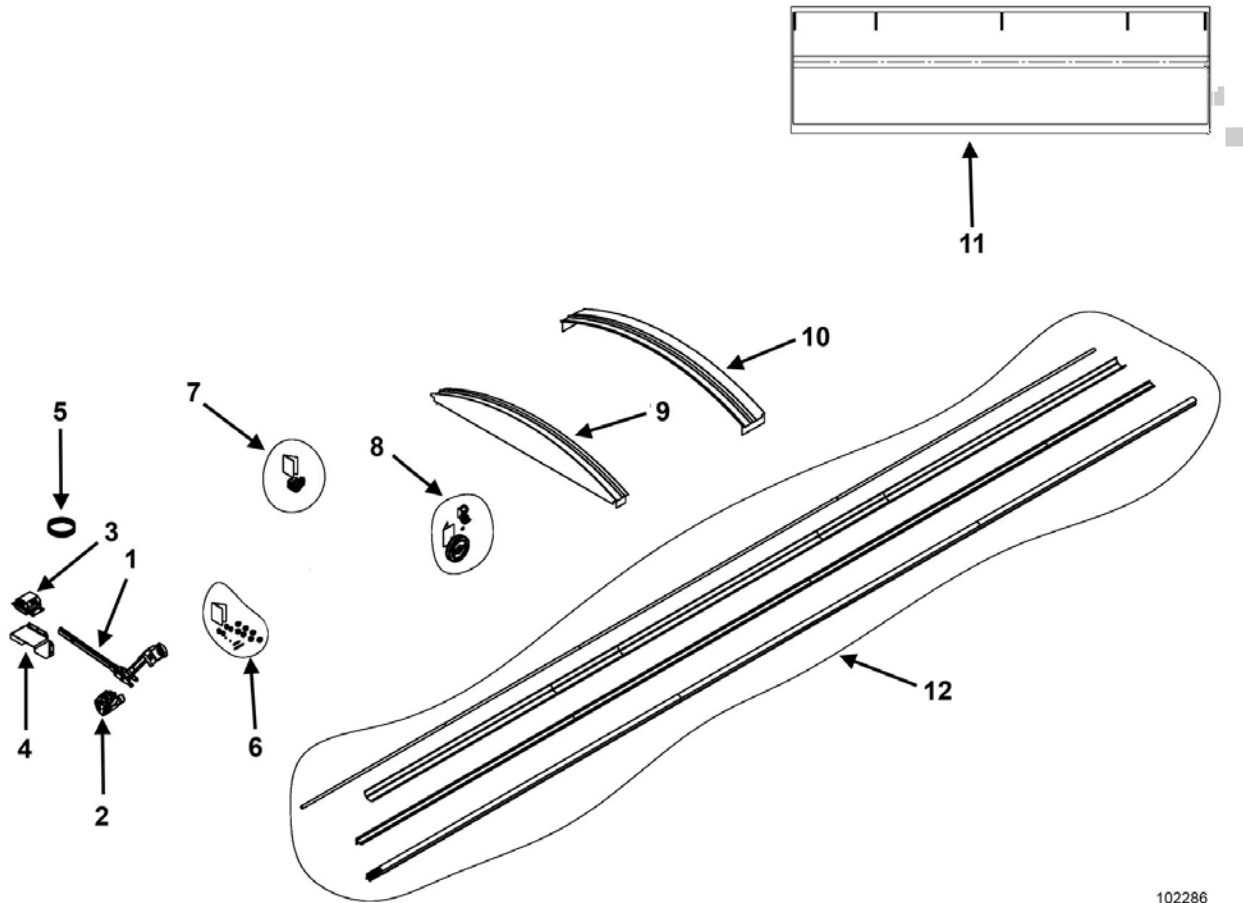
Crushing Hazard:
Do Not work under suspended or blocked parts



- The use of hoists and/or supports may be needed to handle heavy components.
- If the implement is being repaired in the field, make sure the parking brake of the tractor is engaged, the implement is on solid and level ground.
- Welding and torching should be done by properly trained individuals who have proven their skills.

NOTE: Be environmentally friendly and dispose of any waste materials properly. Recycle when appropriate.

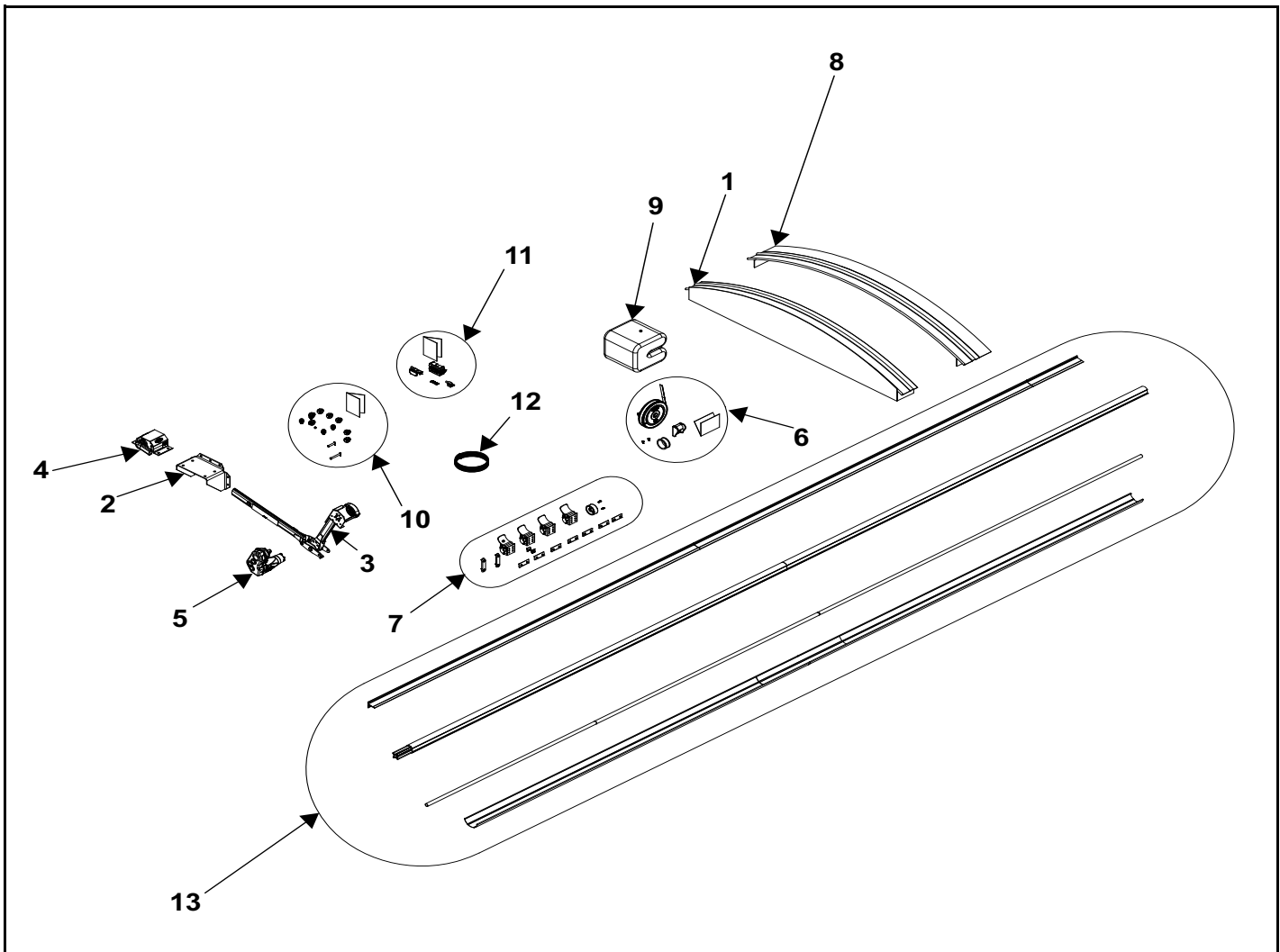
TARP COMPONENTS (8100 & 9100)



102286

| KEY | PART NUMBER | QTY | DESCRIPTION |
|-----|------------------|-------------|---|
| 1 | 100-8003-50 | 1 | Pivot, Assembled Front Arm (See Page 37) |
| 2 | 100-8003-1-1 | 1 | Gear Motor, Tarp Stretcher |
| 3 | 100-8003-1-P-1 | 1 | Pivot, 6-Spring Top Mount Pivot w/o Tube, Passenger Stowage (See Page 36) |
| 4 | 100-8003-1-1-1 | 1 | Bracket, Aluminum for Mounting Top Mount Pivot to Vertical Surface |
| 5 | 100-8003-4-FT | 15/20 | 16GA 3-Conductor Wire, 20' for Semi Trailer Models |
| 6 | 100-8009-1-5 | 1 | Hardware Bag |
| 7 | 100-8000-1-1-9 | 1 | Electric Kit, Rite Touch w/ Rocker Switch (See Page 34) |
| 8 | 100-8000-3 | 1 | Tarp Return for 3" Axle |
| 9 | 100-8004-5 | 1 | 81/9100 Front End Cap, No Extension |
| | 100-8004-5-EXT | 1 | 81/9100 Front End Cap, Extension |
| | 851-3816-1Z | 4 | 3/8" x 1" Hex Head, Side Front Cap |
| | 815-3816-Z | 4 | 3/8" Nylon Lock Nut, Side Front Cap |
| | 851-3816-1.75Z | 4 | 3/8" x 1-3/4" Hex Head, Front, Front Cap |
| | 815-3816-Z | 4 | 3/8" Nylon Lock Nut, Front, Front Cap |
| | 805-0038-Z | 8 | 3/8" Flat Washer, Front, Front Cap |
| 10 | 100-8004-2 | 1 | 81/9100 Rear End Cap, No Extension |
| | 100-8004-2-EXT | 1 | 81/9100 Rear End Cap, Extension |
| | 851-3816-1Z | 6 | 3/8" x 1" Hex Head w/ Extension, Rear |
| | 815-3816-Z | 6 | 3/8" Nylon Lock Nut w/ Extension, Rear |
| 11 | 100-8009-4-1 | 1 | 8120 Tarp 22 oz Vinyl STS w/ Ridge Pole Pocket |
| | 100-8009-5-1 | 1 | 8122 Tarp 22 oz Vinyl STS w/ Ridge Pole Pocket |
| | 100-8009-7-1 | 1 | 8124 Tarp 22 oz Vinyl STS w/ Ridge Pole Pocket |
| | 100-8009-30-1 | 1 | 8224 Tarp 22 oz Vinyl STS w/ Ridge Pole Pocket |
| | 100-8009-10-1 | 1 | 8126/9126 Tarp 22 oz Vinyl STS w/ Ridge Pole Pocket |
| | 100-8009-11-1 | 1 | 9128 Tarp 22 oz Vinyl STS w/ Ridge Pole Pocket |
| | 100-8009-14-1 | 1 | 9130 Tarp 22 oz Vinyl STS w/ Ridge Pole Pocket |
| | 100-8009-19-1 | 1 | 9136 Tarp 22 oz Vinyl STS w/ Ridge Pole Pocket |
| | 100-8009-19-DD-1 | 1 | 9136 Double Door, Tarp 22 oz Vinyl STS w/ Ridge Pole Pocket |
| | 100-8009-23-1 | 1 | 9140 Tarp 22 oz Vinyl STS w/ Ridge Pole Pocket |
| | 100-8009-23-DD-1 | 1 | 9140 Double Door, Tarp 22 oz Vinyl STS w/ Ridge Pole Pocket |
| | CALL FACTORY | 1 | Call Factory For Any Specials, Or Models Not Listed |
| | 12 | See Page 38 | 1 |

SYSTEM, PASSENGER 3" AXLE & SPRING RETURN (RTX222 & RTX224 BODY)



| KEY | PART NUMBER | QTY | DESCRIPTION |
|-----|----------------|-----|--|
| 1 | 100-8009-40-3 | 1 | End Cap, Rear for RTX Model |
| 2 | 100-8009-40-4 | 1 | End Cap, Front Cap for RTX Model |
| 3 | 100-8000-3 | 1 | Tarp Return, for 3" Axle (No Eye Bolt or Mount Plate) |
| 4 | 100-8009-40-5 | 1 | Electric Kit, Rite Touch w/ Rocker Switch (8 ga.) |
| 5 | 100-8009-1-5 | 1 | Hardware Bag |
| 6 | 100-8003-1-P-1 | 1 | Pivot, Assembled 6-Spring Top Mount Pivot w/o Tube-Driver |
| 7 | 100-8003-1-1-1 | 1 | Bracket, Mounting Top Mount Pivot |
| 8 | 100-8003-50 | 1 | Pivot, Assembled Front Arm |
| 9 | 100-8003-1-1 | 1 | Gear Motor, Tarp Stretcher |
| 10 | 100-8009-9-3 | 1 | Hardware, Axle Kit Hardware (Tarp Clips, Catches, Rails etc.) |
| 11 | 100-8003-4-FT | 20' | Wire, 16/3 Per foot |
| 12 | See Page 38 | 1 | Axle Kit |
| 13 | 100-8009-43-1 | 1 | Tarp, 22 oz Vinyl STS w/ Ridge Pole Pocket, RTX222 Body (129.25" x 283") |
| | 100-8009-42-1 | 1 | Tarp, 22 oz Vinyl STS w/ Ridge Pole Pocket, RTX224 Body (129.25" x 307") |



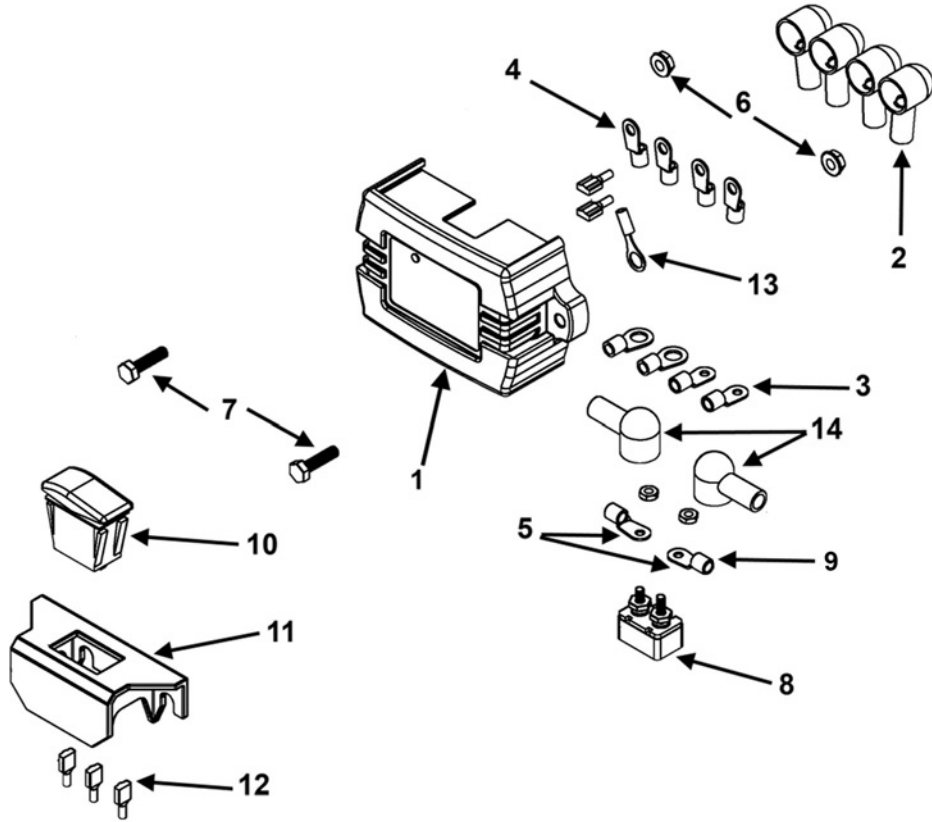
ELECTRIC KIT WITH RELAY AND ROCKER SWITCH

D6 Control

Stow 50 amps

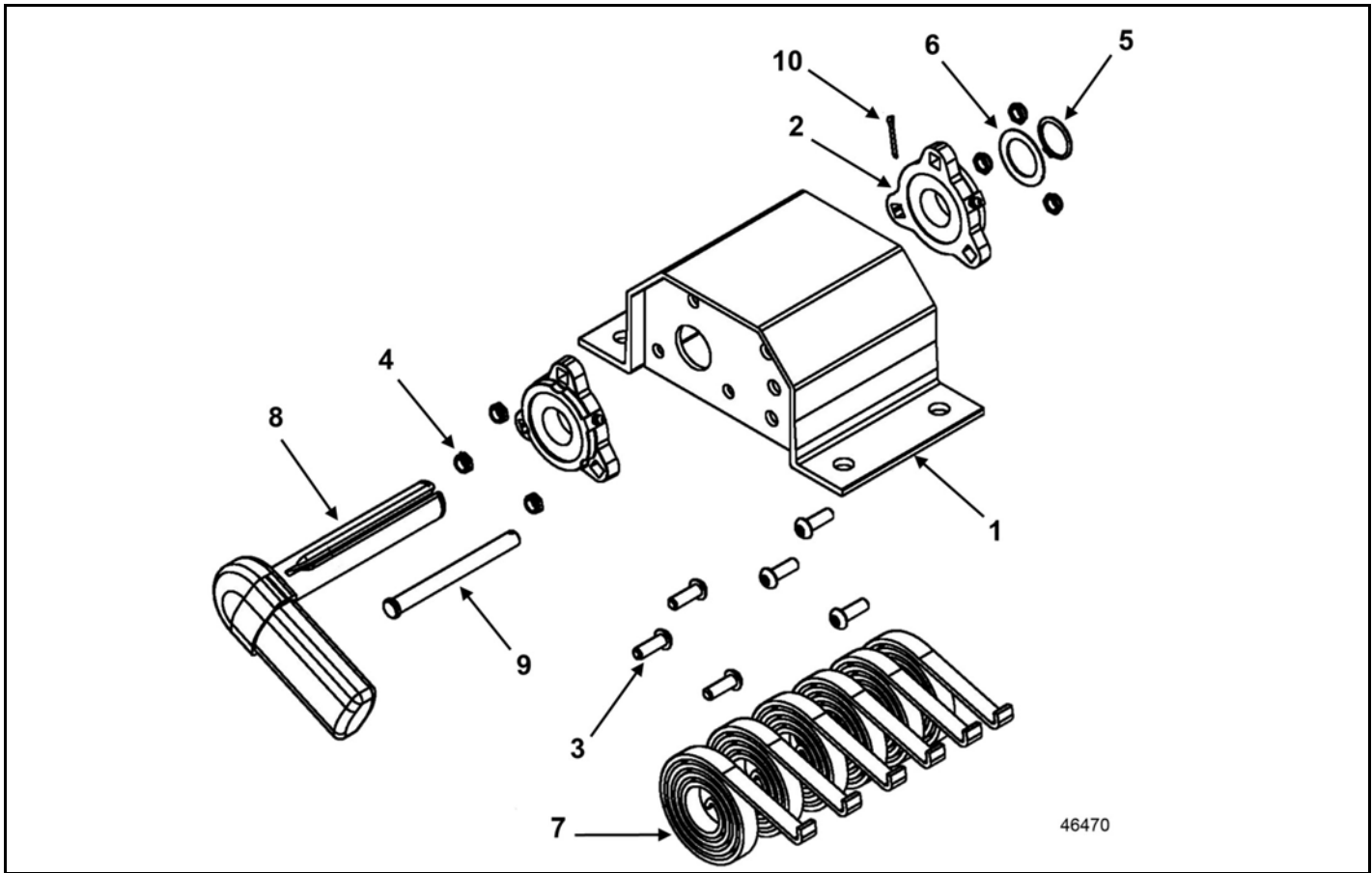
Lockdown 80 amps

NOTE:
See table
for parts
not shown
(NS)



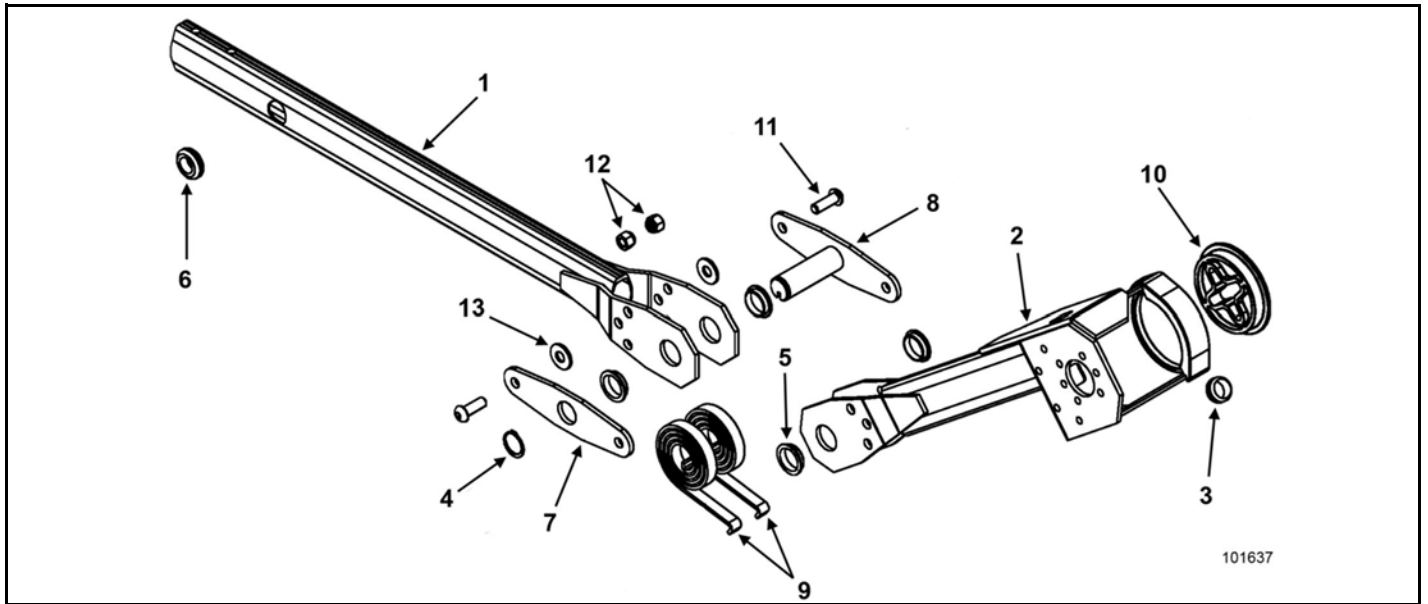
| KEY | PART NUMBER | QTY | DESCRIPTION |
|-----|------------------|-----|--|
| 0 | 100-8003-3 | 1 | Electric Kit w/ Relay and Rocker Switch (Prior to SN 1381237, 1391259, 13T3217) |
| | 100-8000-1-1-9 | 1 | Electric Kit, Rite Touch w/ Rocker Switch (SN 1381237, 1391259, 13T3217 & Later) |
| 1 | 100-8000-1-1-5-3 | 1 | Relay, (Prior to SN 1381237, 1391259, 13T3217) |
| | 100-8000-1-1-9-1 | 1 | Relay, Rite Touch Amp Sensing (SN 1381237, 1391259, 13T3217 & Later) |
| 2 | 156-8-2-1 | 4 | Rubber Boot for Use w/ One-Touch |
| 3 | 156-RT-8-375-1 | 2 | Terminal, 8 GA w/ 3/8" Ring |
| | 156-RT-6-375-1 | 2 | Terminal, 6 GA w/ 3/8" Ring |
| 4 | 156-RT-8-250-1 | 4 | Terminal, 8 GA w/ 1/4" Ring |
| | 156-RT-6-250-1 | 4 | Terminal, 6 GA w/ 1/4" Ring |
| 5 | 156-RT-8-190-1 | 4 | Terminal, 8 GA w/ #10 Ring for Motor |
| | 156-RT-6-190-1 | 4 | Terminal, 6 GA w/ #10 Ring for Motor |
| 6 | 810-2520-Z | 2 | 1/4" Spin Lock Nut |
| 7 | 851-2520-1Z | 2 | 1/4" x 1" Hex Head Bolt |
| 8 | 100-8000-1-1-5-2 | 1 | 35-Amp Outdoor Manual Reset Circuit Breaker (Prior to SN 1381237, 1391259, 13T3217) |
| | 100-8000-1-1-9-2 | 1 | 50-Amp Manual Reset Breaker (SN 1381237, 1391259, 13T3217 & Later) |
| 9 | 813K-1032-Z | 2 | #10-32 Lock Nut |
| 10 | 100-8000-1-1-6 | 1 | Rocker Switch (Open/Close) |
| 11 | 100-8000-1-1-7 | 1 | Mounting Bracket for Rocker Switch |
| 12 | 156-TFB-22-18-1 | 5 | 18 GA Insulated Quick Disconnect Terminal |
| 13 | 156-RT-14-375-1 | 1 | 14 GA Insulated Terminal w/ 3/8" Ring |
| 14 | 156-B-18-10-1 | 2 | Rubber Boot for Motor |
| NS | Not Available | AR | 6GA Dual Conductor Wire (Prior to SN QD15216, 15T3242, 1581282, 1491374, 15T9205, SI158720287) |
| | 156-8/2-1 | AR | 8GA Dual Conductor Wire |
| NS | 100-8003-4 | 1 | 16GA 3-Conductor Wire 15' in Length |
| | 100-8003-4-FT | 20 | 16GA 3-Conductor Wire (by the foot) 20' for Semi Trailer Models |
| NS | 100-8003-2-1 | 1 | Dual Conductor |
| | 100-8003-2-2 | 1 | Socket Plug, Dual Conductor |
| | 100-8003-2 | 1 | Plug / Socket Set |
| NS | 56-0005-1 | 1 | 4-Conductor Plug |
| | 56-0004 | 1 | 4-Conductor Socket |

6-SPRING TOP MOUNT PIVOT W/O TUBE (PASSENGER STOWAGE)



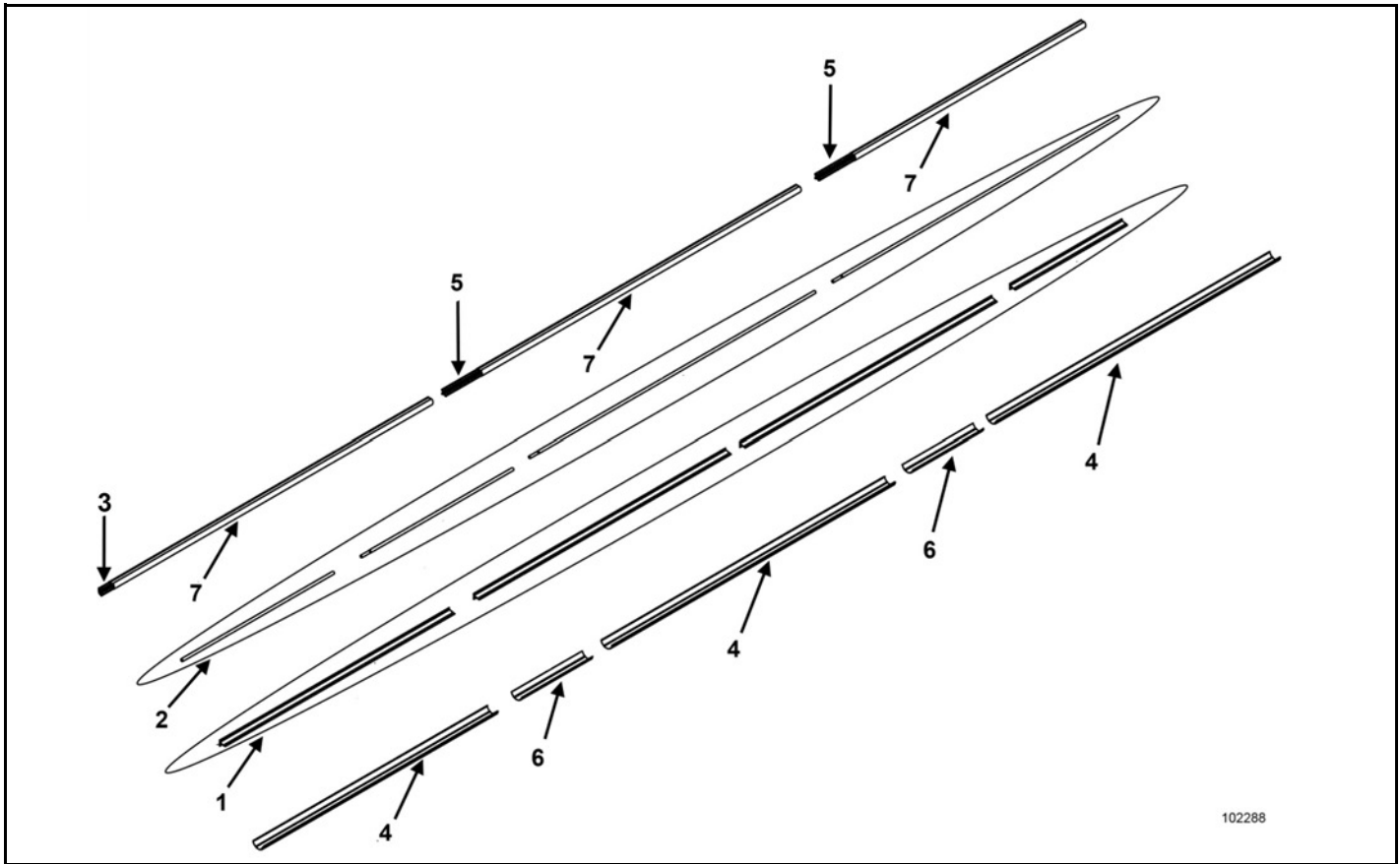
| KEY | PART NUMBER | QTY | DESCRIPTION |
|-----|------------------|-----|--|
| 0 | 100-8003-1-P-1 | 1 | Pivot, 6-Spring Top Mount Pivot w/o Tube (Passenger Stowage) |
| 1 | 100-8003-1-P-1-1 | 1 | 6-Spring Top Mount Pivot Bracket |
| 2 | 100-8000-1-2-8 | 2 | Carrier Under Body Flanged Bearing |
| 3 | 802P-3816-1.25Z | 6 | 3/8" - 16 x 1-1/4" Button Head Bolt |
| 4 | 815-3816-Z | 6 | 3/8" Nylon Lock Nut |
| 5 | 100-8000-1-2-9 | 1 | 1-1/4" External Snap Ring for Pivot Pin |
| 6 | 808-1.25-1.88-18 | 1 | 1-1/4" Machinery Bushing for Pivot Pin |
| 7 | 100-8000-1-2-12 | 6 | Spring, Spiral Torsion 1-1/4" |
| 8 | 100-8000-1-2-5 | 1 | Pivot Pin for 5 & 6-Spring Roller Bearing (Driver Side) |
| 9 | 100-8000-1-2-13 | 1 | 1/2" x 5-1/4" Clevis Pin |
| 10 | 823-.125-1.25Z | 1 | 1/8" Cotter Pin |

FRONT PIVOT ARM



| KEY | PART NUMBER | QTY | DESCRIPTION |
|-----|-----------------|-----|---|
| 0 | 100-8003-50 | 1 | Pivot, Assembled Front Arm |
| 1 | 100-8003-6 | 1 | 31" Base Pivot Tube |
| 2 | 100-8003-5 | 1 | Upper Pivot Tube S/S |
| 3 | 100-8003-5-1 | 1 | Rubber Grommet 1" ID 0.25 Groove |
| 4 | 100-8000-1-2-9 | 1 | 1-1/4" External Snap Ring for Pivot Pin |
| 5 | 100-8000-1-9-5 | 4 | 1-1/4" Poly T-Bushing for Pivot Pin |
| 6 | 100-8003-6-1 | 1 | Rubber Grommet 7/8" ID 0.125" Groove |
| 7 | 100-8005-2 | 1 | Knuckle Pin Plate |
| 8 | 100-8005-3 | 1 | 3-Spring Knuckle Pivot Pin for SS Arm |
| 9 | 100-8000-1-2-12 | 2 | Spring, Spiral Torsion 1-1/4" |
| 10 | 100-8004-1-1 | 1 | Axle Stabilizer Bushing for Standard Axle |
| 11 | 802P-3816-1.25Z | 2 | 1/2" x 1-1/2" Button Head Bolt |
| 12 | 815-3816-Z | 2 | 1/2" - 13 Nylon Lock Nut |
| 13 | 805-0050-Z | 2 | 1/2" Flat Washer |

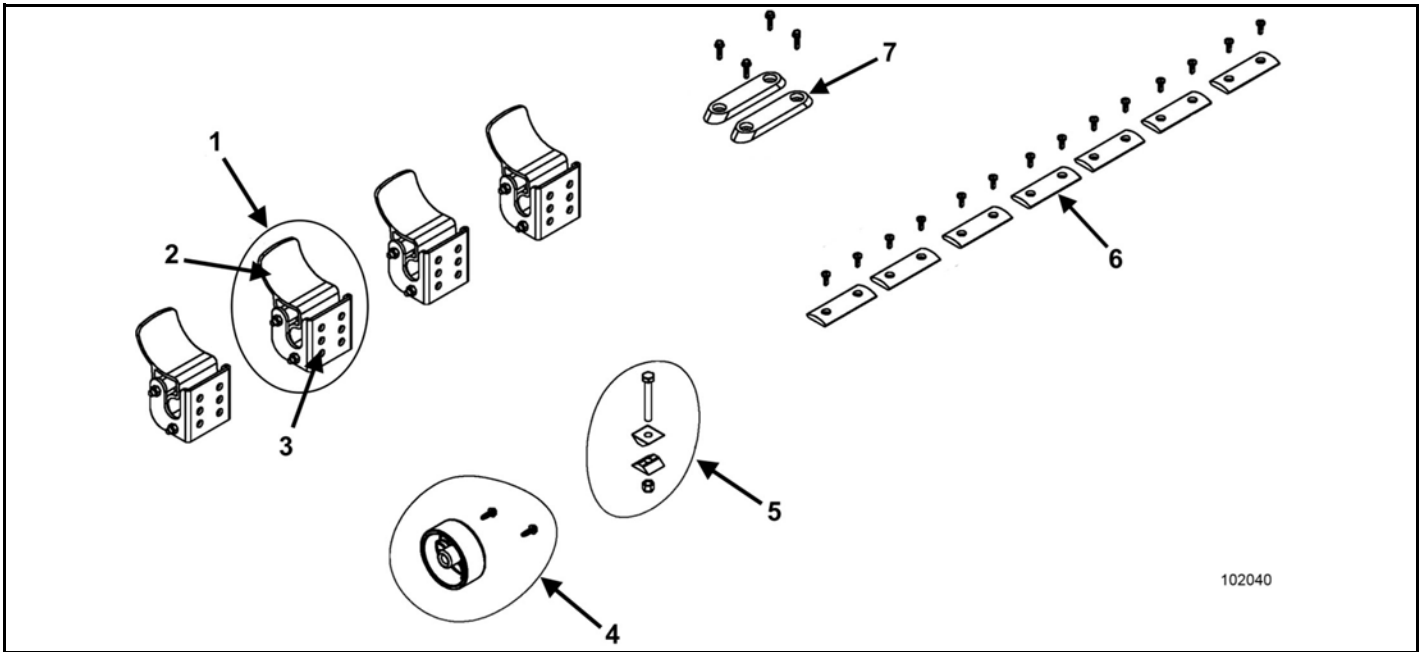
AXLE KIT



102288

| KEY | PART NUMBER | QTY | DESCRIPTION |
|-----|--------------|-----|--|
| 1 | 100-8004-1-2 | AR | Locking Lip (By the Foot, 12' Increments) |
| 2 | 100-8004-1-4 | AR | Rod, Steel Tarp Securing for STS w/ Swedge (By the Foot, 13' Increments) |
| 3 | 100-8004-1-9 | AR | Axle Splice – Motor End w/ 1" Shaft |
| 4 | 100-8004-13 | AR | 4" Ridge Pole (By the Foot, 12' Increments) (Prior to 2020 Model Year) |
| | 100-8004-15 | AR | 3.5" Ridge Pole (2020 Model Year & Later) |
| 5 | 100-8004-1-3 | 1 | Axle Splice |
| 6 | 100-8004-14 | AR | 4" Ridge Pole, Splice – (By the Foot, 3' Increments) |
| | 100-8004-16 | AR | 3.5" Splice |
| 7 | 100-8004-1-8 | AR | Axle, WTSS, Clip Style (By the Foot) |

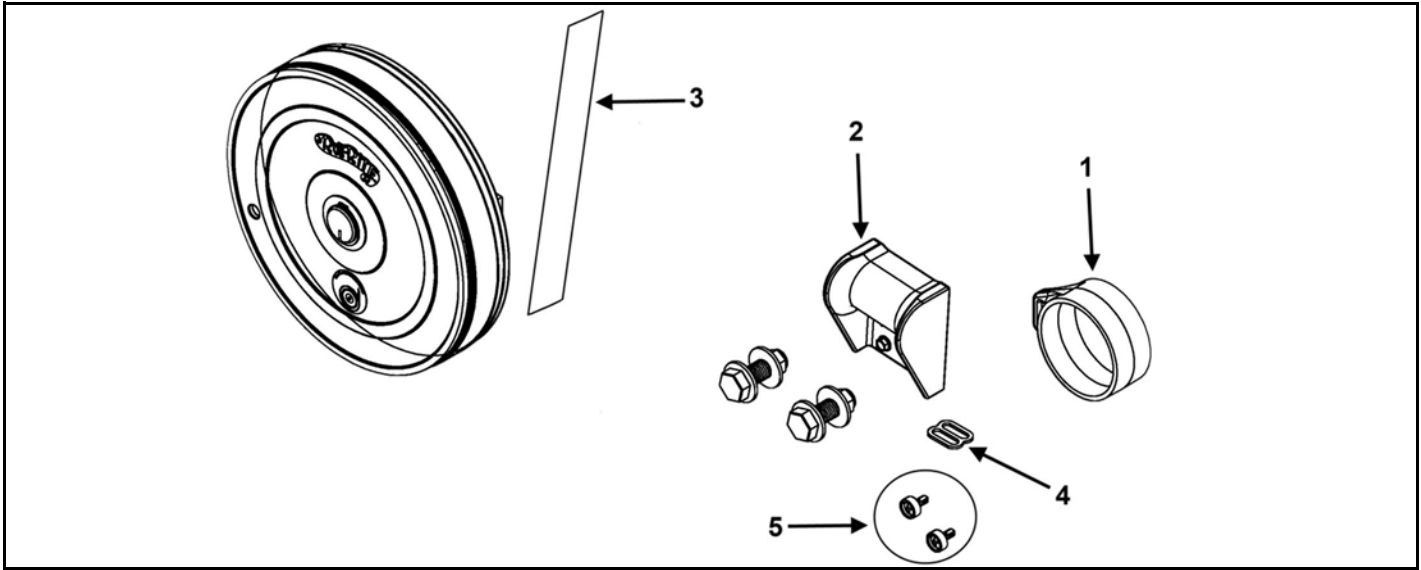
AXLE HARDWARE



102040

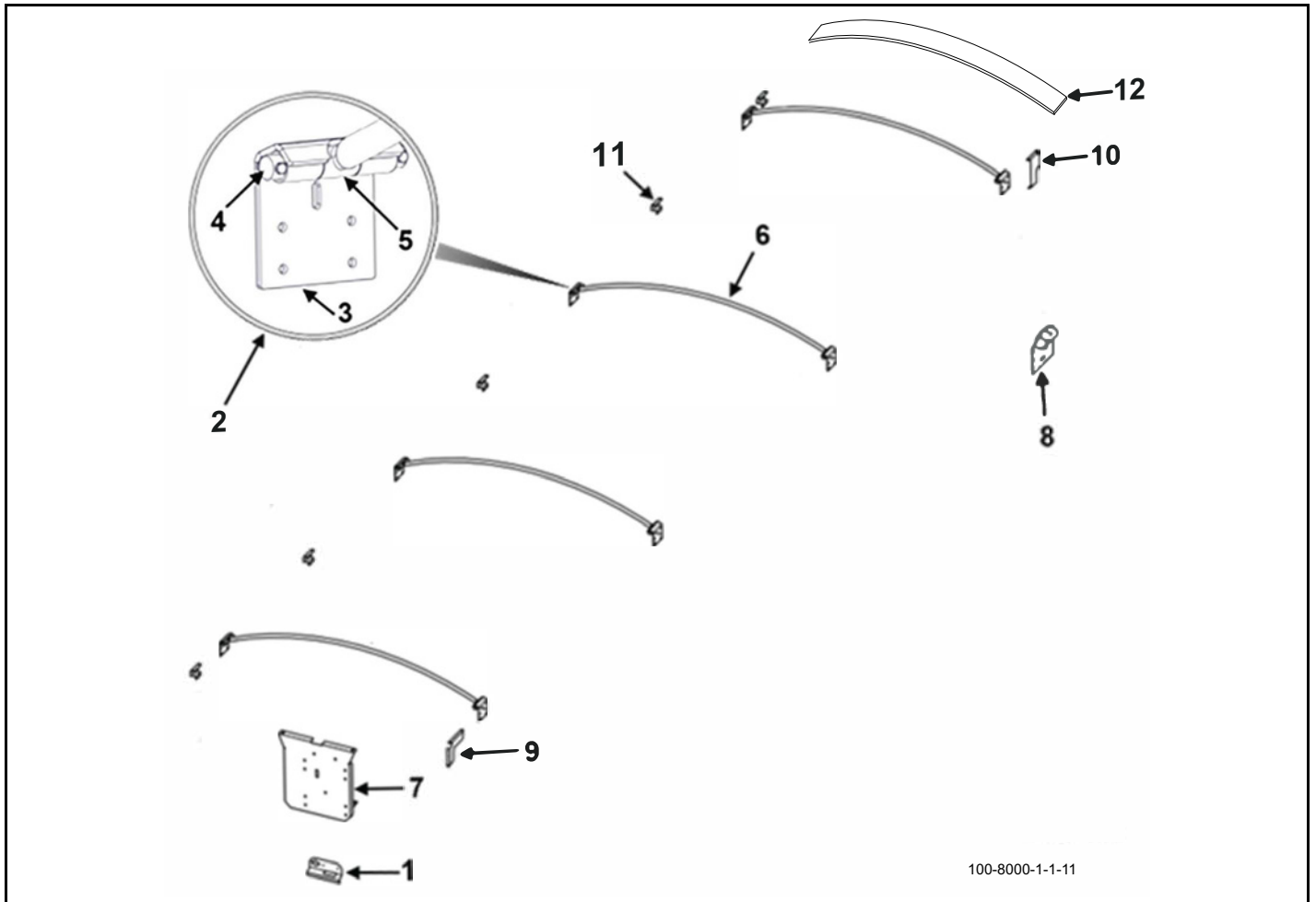
| KEY | PART NUMBER | QTY | DESCRIPTION |
|-----|--------------------|-----|-------------------------------|
| 1 | 100-8004-6 | 4/5 | Tarp Stop w/ Bracket |
| 2 | 100-8004-6-1 | 4/5 | Tarp Stop w/o Bracket |
| 3 | 100-8004-6-2 | 4/5 | Bracket for Tarp Stop |
| 4 | 100-8004-1-5 | 1 | 3" Axle End Cap w/ Screws |
| 5 | 100-8004-1-3-1-ASM | 1 | Shim Hardware Kit for 3" Axle |
| 6 | 100-8004-1-10 | AR | Tarp Clips |
| 7 | 100-8004-1-6 | 2 | 6" Guard Rub Rail |

TARP RETURN



| KEY | PART NUMBER | QTY | DESCRIPTION |
|-----|------------------|-----|---|
| 0 | 100-8000-3 | 1 | Tarp Return Kit w/ Bushing, Guide and Screws |
| 1 | 100-8000-3-1-HD | 1 | Tarp Return Bushing |
| 2 | 100-8000-3-2 | 1 | Tarp Return Strap Guide |
| 3 | 100-8000-3-UP | 1 | Tarp Return Bushing/Strap Update (Prior to SN 15T3295, 1581390, 1591281, 15T9216) |
| | 100-8000-3-3-HDL | 1 | 17' Strap for Tarp Return (SN 15T3295, 1581390, 1591281, 15T9216 & Later) |
| 4 | 100-8000-3-4 | 1 | Buckle for Tarp Return |
| 5 | 100-8000-3-5 | 1 | Bushing Guides w/ Screws (Pair) |

BOWS & MOUNTING COMPONENTS



100-8000-1-1-11

| KEY | PART NUMBER | QTY | DESCRIPTION |
|-----|-----------------|-----|---|
| 1 | 100-8000-1-1-11 | 1 | Standard Front Control Bracket |
| | 100-8000-1-1-12 | 1 | Double Door Front Control Bracket |
| 2 | 100-8004-3-1 | 8 | Flex Bow Mount Plate (Prior to SN 1481308 & 1491273) |
| | 100-8004-3-5 | 8 | Steel Roof Bow Mount Bracket Assembly (SN 1481308, 1491273 & Later) |
| 3 | 100-8004-3-5-1 | 8 | Steel Bow Mount Plate |
| 4 | 100-8004-3-5-3 | 8 | Steel Bow Mount Bracket Pin |
| 5 | 100-8004-3-5-2 | 8 | Steel Bow Mount Bracket Swivel |
| 6 | 100-8004-3-11 | 4 | Flex Tarp Bow (Prior to SN 1481308 & 1491273) |
| | 100-8004-3-6 | 4 | Steel Tarp Bow (SN 1481308, 1491273 & Later) |
| 7 | 100-8080-2-3 | 1 | RT Pivot Arm Mount Bracket |
| 8 | 25-8087-1 | 1 | 81/9100 WTSS Strap Return Mount (Prior to 2013 SN) |
| | 25-8087-3 | 1 | 81/9100RT WTSS Strap Return Mount (2013 SN & Later) |
| 9 | 25-8115-1 | 1 | Front Left Tarp Corner Bracket |
| 10 | 25-8115-2 | 1 | Rear Left Tarp Corner Bracket |
| 11 | 25-8117-1 | 5 | Tarp Extension Support |
| 12 | 49-0095 | 1 | Standard 8100/9100/RTX End Cap Belting |
| | 49-0165 | 1 | Double Door 8100/9100 End Cap Belting |
| | 49-0327 | 1 | RTX Double Door End Cap Belting |
| NS | 809-SB86 | 18 | Rivet |
| NS | 804-0025-Z | 18 | 1/4" Fender Washer |



10.0 MAINTENANCE RECORDS

MODEL NO. _____

SERIAL NO. _____

| Date | Service Performed |
|------|-------------------|
| | |
| | |
| | |
| | |
| | |
| | |
| | |
| | |
| | |
| | |
| | |
| | |
| | |
| | |
| | |
| | |
| | |
| | |
| | |
| | |
| | |
| | |
| | |
| | |
| | |
| | |
| | |
| | |
| | |
| | |
| | |
| | |
| | |
| | |
| | |
| | |
| | |
| | |
| | |
| | |
| | |
| | |
| | |
| | |
| | |
| | |
| | |
| | |

| Date | Service Performed |
|------|-------------------|
| | |
| | |
| | |
| | |
| | |
| | |
| | |
| | |
| | |
| | |
| | |
| | |
| | |
| | |
| | |
| | |
| | |
| | |
| | |
| | |
| | |
| | |
| | |
| | |
| | |
| | |
| | |
| | |
| | |
| | |
| | |
| | |
| | |
| | |
| | |
| | |
| | |
| | |
| | |
| | |
| | |
| | |
| | |
| | |
| | |
| | |
| | |
| | |
| | |
| | |
| | |
| | |
| | |
| | |
| | |
| | |
| | |
| | |
| | |

Manufactured by:

Meyer Manufacturing Corporation

674 W. Business Cty Rd A
Dorchester, WI 54425
Phone. 1-800-325-9103
Fax: 715-654-5513

Email: parts@meyermfg.com
Website: www.meyermfg.com





Manufactured by:
Meyer Manufacturing
Corporation

674 W. Business Cty Rd A

Dorchester, WI 54425

Phone. 1-800-325-9103

Fax: 715-654-5513

Email: parts@meyermfg.com

Website: www.meyermfg.com