



PB-SXI



# SXI

720 • 865

## Owner / Operator's Manual & Parts Book

Starting 2017 Model Year  
(Including SX168865201 & SX168720202)



MEYER  
MFG. CORP.



PRODUCT  
MANUALS

# 1.0 IMPORTANT INFORMATION

The serial number plate is located on the front left-hand side.

Please enter the model, serial number and additional information in the space provided for future reference.



Model No. \_\_\_\_\_

Spreader Body Serial No. \_\_\_\_\_

Date of Purchase \_\_\_\_\_

Dealership \_\_\_\_\_

Dealership Phone No. \_\_\_\_\_

Always use your serial number when requesting information or when ordering parts.

## HOW TO READ YOUR SERIAL NUMBER

EXAMPLE: SXI17865201

Model Type / Model Year / Model / Sequence Of Build



**SXI**

**17**

**865**

**201**

Meyer Manufacturing Corporation  
674 W. Business Cty Rd A  
Dorchester, WI 54425  
Phone: 1-800-325-9103  
Fax: 715-654-5513  
Email: sales@meyermfg.com  
Website: www.meyermfg.com



## 2.0 PRE-DELIVERY & DELIVERY CHECK LIST

Spreader Check List

### Meyer Manufacturing Corporation

Phone: 715-654-5132 • Toll-Free: 1-800-325-9103 • P.O. Box 405 • Dorchester, WI 54425

This Pre-Delivery & Delivery Check List must be gone through by the Selling Party and the Customer to validate the Owner's Registration Form.

#### PRE-DELIVERY CHECK LIST

After the New Meyer Spreader has been completely set-up, check to be certain it is in correct running order before delivering it to the customer.

The following is a list of points to inspect:

**Check off each item as you have made the proper adjustments and found the item operating satisfactorily. Any adjustments made, MUST be according to specifications defined in this manual.**

- All shields and guards are in place and securely fastened.
- All bolts and other fasteners are secure and tight.
- All mechanisms operate trouble free.
- All grease fittings have been lubricated, gear boxes filled to proper levels, and all roller chains are oiled. See "Lubrication" section of this manual.
- PTO shields turn freely.
- All roller chain springs adjusted properly for automatic tensioning. See "Adjustments" section in this manual.
- All stop/tail/turn lights work properly.
- All decals are in place and legible.

#### DELIVERY CHECK LIST

The following check list is an important reminder of valuable information that MUST be passed on to the customer at the time the unit is delivered.

**Check off each item as you explain it to the customer.**

- Explain to the customer that pre-delivery check list was fully completed.
- Give customer the Owner & Operator's Manual. Instruct to read and completely understand its contents BEFORE attempting to operate the spreader.
- Explain and review with customer the New Meyer Spreader manufacturer's warranty.
- Show the customer where to find the serial number on the implement.
- Explain and review with the customer "Safety Precautions" section of this manual.
- Explain and review with customer the proper "Start-up and Operating Procedures" sections of this manual.
- Demonstrate the PTO Shaft Locking Device and proper PTO shaft storage. Also, demonstrate proper hydraulic hose storage and tip holder used to keep system clean from contaminants.
- Explain that regular lubrication and proper adjustments are required for continued proper operation and long life of the spreader. Review with the customer the "Lubrication" and "Adjustments" sections of this manual.
- Explain and review with customer the recommended loading and unloading procedures for different types of manure.
- Fully complete this "PRE-DELIVERY & DELIVERY CHECK LIST" with the customer.



### 3.0 INTRODUCTION

*Congratulations on your purchase of a new Meyer farm equipment product. Undoubtedly you have given much consideration to your purchase and we're proud that you have selected Meyer. Pride in craftsmanship, engineering and customer service have made Meyer products the finest in the farm equipment industry today.*

*There is no substitute for quality. That is why thousands of people like you have purchased Meyer farm equipment. They felt it was the best equipment to serve their farming needs, now and in years to come. We ask that you follow our policy of "safety first", and we strongly suggest that you read through the "Owner / Operator's Manual & Parts Book" before operating your Meyer farm equipment. Meyer Manufacturing Corporation wants to thank you for not compromising quality. We are determined to offer excellence in customer service as well as provide you with the very best value for your dollar.*

*Sincerely,*

*All Employees of  
MEYER MANUFACTURING CORPORATION*

---

The SXI spreader is available as a truck mounted or pull-type unit pulled and powered by a farm tractor.

When the PTO is referred to, it means power take off from the truck.

The SXI spreader may be referred to as 720, 865, SXI, spreader or implement in this manual.



**IMPORTANT:** You are urged to study this manual and follow the instructions carefully. Your efforts will be repaid in better operation and service as well as a savings in time and repair expense. Failure to read this manual and understand the machine could lead to serious injury. If you do not understand instructions in this manual, contact either your dealer or Meyer Manufacturing Corp. at Dorchester, WI 54425.



**WARRANTY:** At the front of this manual is an "Owner's Registration Form". Be sure your dealer has completed this form and promptly forwarded a copy to Meyer Manufacturing to validate the manufacturer's warranty. The product model and serial number are recorded on this form and on the inside of the front cover for proper identification of your Meyer SXI spreader by your dealer and the manufacturer when ordering repair parts. The serial number plate is located on the front left-hand side.



**REPAIR PARTS:** At the back of this manual is the repair parts section. All replacement parts are to be obtained from or ordered through your Meyer dealership. When ordering repair parts, refer to the parts section and give complete information including quantity, correct part number, detailed description and even model number and serial number of the SXI spreader which needs repair parts.

**Manufacturer's Statement:** Meyer Manufacturing Corporation reserves the right to make improvements in design, or changes in specifications at any time, without incurring any obligation to owners of units previously sold. This supersedes all previous published instructions.



## TABLE OF CONTENTS

1.0	IMPORTANT INFORMATION	2
2.0	PRE-DELIVERY & DELIVERY CHECK LIST	3
3.0	INTRODUCTION	5
4.0	MANUFACTURER'S WARRANTY	11
5.0	SAFETY	13
5.1	SAFETY PRECAUTIONS	14
5.2	SAFETY SIGNS	16
5.3	SHUTOFF & LOCKOUT POWER	20
5.3.1	Shutoff & Lockout Power Recommendations	20
6.0	PRE-OPERATION	21
6.1	STATIC INSPECTION	21
6.2	LIGHT HOOK-UP	22
6.3	HYDRAULIC HOOK-UP	22
6.4	PTO DRIVELINE	22
6.5	TRACTOR DRAWBAR SETUP	23
6.6	HITCHING TO TRACTOR	24
6.7	START-UP AND SHUT-DOWN	24
6.7.1	Start-Up	24
6.7.2	Shut-Down	25
6.8	OPERATIONAL CHECKS	25
6.9	TRANSPORTING	26
6.9.1	Safety Chain	27
6.9.2	Tractor Towing Size Requirements	28
6.9.3	Spreader Brake Information (Optional)	28
6.9.3.1	Lever Operated Hydraulic Bakes	28
6.9.3.2	Pedal Operated Hydraulic Bakes	28
7.0	OPERATION	29
7.1	LOADING	29
7.2	UNLOADING	30
7.2.1	PTO Cutout Clutch	31
7.3	SHEAR SPROCKET	32
7.4	FREEZING WEATHER OPERATION	32

7.5	UNHOOKING THE TRACTOR .....	33
8.0	MAINTENANCE .....	35
8.1	LUBRICATION .....	35
8.1.1	PTO Lubrication Prior to Use .....	35
8.1.2	Daily Lubrication (every 8-12 loads) .....	36
8.1.3	Weekly Lubrication (every 25-30 loads) .....	36
8.1.4	Monthly Lubrication .....	38
8.1.5	Automatic Chain Oiler .....	39
8.2	ADJUSTMENTS .....	40
8.2.1	Front Drive Roller Chains .....	40
8.2.2	Balance of Spinners .....	40
8.2.3	PTO Cutout Clutch Connection .....	41
8.2.4	720 Brake Adjustment .....	41
8.2.5	865 Brake Adjustment .....	41
8.2.6	Wheels and Tires .....	42
8.3	Brakes (Optional) .....	43
8.3.1	720 Brake Bleeding .....	43
8.4	STORING THE SPREADER .....	43
8.5	RETURNING THE SPREADER TO SERVICE .....	44
9.0	PARTS REPAIR AND REPLACEMENT .....	45
9.1	REPLACEMENT PARTS .....	45
	CUTOUT CLUTCH .....	46
	PTO DRIVE SHAFT .....	48
	FIRST REDUCTION AND SPINNER DRIVE .....	50
	BERMA FRONT GEARBOX .....	52
	SECOND REDUCTION DRIVE .....	54
	FINAL REDUCTION, RH AUGER DRIVE .....	56
	FINAL REDUCTION, LH AUGER & THIRD AUGER DRIVE .....	58
	BODY & SHIELDS .....	60
	AUGERS .....	62
	SPINNERS & GEARBOXES .....	64
	CORNER GEARBOX .....	66
	RIGHT SPINNER GEARBOX .....	68
	LEFT SPINNER GEARBOX .....	70
	SPINDLES & O-BEAMS .....	72
	HUB ASSEMBLY .....	78



FRONT GREASE HOSES .....	80
O-BEAMS & REAR GREASE HOSES .....	81
REAR GATE .....	82
STANDARD HYDRAULICS .....	84
OIL-KIT .....	86
HIGHWAY LIGHTS .....	88
10.0 OPTIONAL EQUIPMENT .....	91
WEIGHT BAR WIRING DIAGRAM (720 ONLY) .....	92
HYDRAULIC DRIVEN AUGER DRIVE COMPONENTS .....	94
HYDRAULIC DRIVEN AUGER BODY & SHIELDS .....	96
HYDRAULIC DRIVEN AUGER HYDRAULIC SCHEMATIC .....	98
HYDRAULIC DRIVEN AUGER FRONT HOSES .....	99
720 BRAKE COMPONENTS .....	100
720 FOOT CONTROL BRAKE SCHEMATIC .....	102
865 FOOT CONTROL BRAKE SCHEMATIC .....	104
865 HAND LEVER CONTROL BRAKE SCHEMATIC .....	106
11.0 SPECIFICATIONS .....	109
MAINTENANCE RECORD .....	111



## 4.0 MANUFACTURER'S WARRANTY

11/2014

### MEYER SXI Spreader

- I. The "Owner's Registration Form" must be completed in full and promptly returned to Meyer Mfg. Corp. for this warranty to become both valid and effective. All warranties on new Meyer SXI Spreaders shall apply only to the original retail customer from an authorized Meyer Mfg. Corp. dealership.
- II. This warranty shall not apply to any Meyer SXI Spreader which has been subjected to misuse, negligence, alteration, accident, incorrect operating procedures, has been used for an application not designed for or preauthorized by Meyer in writing, has had the serial numbers altered, or which shall have been repaired with parts other than those obtained through Meyer Mfg. Corp. Meyer is not responsible for the following: Depreciation or damage caused by normal wear, lack of reasonable and proper maintenance, failure to follow the operator's manual recommendations or normal maintenance parts and service. Meyer is not responsible for rental of replacement equipment during warranty repairs, damage to a power unit (including but not limited to a truck or tractor), loss of earnings due to equipment down time, or damage to equipment while in transit to or from the factory or dealer.
- III. Meyer Mfg. Corp. warrants new Meyer SXI Spreaders to be free from defects in material and workmanship under recommended use and maintenance service, as stated in the "Owner / Operator's Manual & Parts Book" as follows:
  - A. Meyer Mfg. Corp. will repair or replace F.O.B. Dorchester, WI, as Meyer Mfg. Corp. elects, any part of a new SXI Spreader which is defective in material or workmanship:
    - i. Without charge for either parts or labor during the first (1) year from purchase date to the original retail customer.
  - B. In addition to the above basic warranty, Meyer Mfg. Corp. will repair or replace F.O.B. Dorchester, WI as Meyer Mfg. Corp. elects:
    - i. Any part of the following which is defective in material or workmanship (not neglect to recommended use and service) with a "pro-rated" charge for parts only (not labor) during the stated time period from date of purchase to the original retail customer:

Seven (7) Years:

      - a. The spreader tank body is warranted against rust through (Pro-rated parts only). Parts included, front and rear end panels, side panels and auger trough.
- IV. COMMERCIAL USE: Coverage as in paragraph III.A.i. ONLY, except warranty coverage is for (90) days for parts and labor to the original commercial retail customer.
- V. Repairs eligible for labor warranty must be made by Meyer Mfg. Corp. or an authorized Meyer dealership. The original retail customer is responsible for any service call and/or transportation of the SXI Spreader to the dealership or factory for warranty service.
- VI. Except as stated above, Meyer Mfg. Corp. shall not be liable for injuries or damages of any kind or nature, direct, consequential, or contingent, to persons or property. This warranty does not extend to loss of crop or for any other reasons.
- VII. No person is authorized to give any other warranties or to assume any other obligation on Meyer Mfg. Corp.'s behalf unless made or assumed in writing by Meyer Mfg. Corp. This warranty is the sole and exclusive warranty which is applicable in connection with the manufacture and sale of this product and Meyer Mfg. Corp.'s responsibility is limited accordingly.

#### Purchased Product Warranty:

This warranty does not apply to component parts not manufactured by Meyer such as but not limited to wheels, tires, tubes, PTO shafts, clutches, hydraulic cylinders, scales, tarps, etc.



## 5.0 SAFETY

The Meyer SXI Spreader is manufactured with operator safety in mind. Located on the spreader are various safety signs to aid in operation and warn of danger or caution areas. Pay close attention to all safety signs on the spreader.

Carefully follow the operating and maintenance instructions in this manual and all applicable safety laws. Failure to follow all safety procedures may result in serious injury or death.

**Before attempting to operate this spreader, read and study the following safety information. In addition, make sure that every individual who operates or works with the spreader, whether family member or employee, is familiar with these safety precautions.**

Meyer Mfg. Corp. provides guards for exposed moving parts for the operator's protection; however, some areas cannot be guarded or shielded in order to assure proper operation. The operator's manual and safety signs on the spreader itself warn you of dangers and must be read and observed closely!



### Safety Alert Symbol

This symbol is used to call attention to instructions concerning personal safety. Be sure to observe and follow these instructions. Take time to be careful!

---



**DANGER**

The signal word **DANGER** on the machine and in the manual identifies a hazardous situation which, if not avoided, WILL result in death or serious injury.



**WARNING**

The signal word **WARNING** on the machine and in the manual indicates a potentially hazardous situation which, if not avoided, COULD result in death or serious injury.



**CAUTION**

The signal word **CAUTION** on the machine and in the manual indicates a potentially hazardous situation which, if not avoided, MAY result in minor or moderate injury. It may also be used to alert against unsafe practices.

**IMPORTANT**

This notice identifies procedures which must be followed to avoid damage to the machine.

Danger, Warning, Caution, and instructional decals and plates are placed on the equipment to protect anyone working on or around this machine, as well as the components of the machine. All personnel operating or maintaining this equipment must familiarize themselves with all Danger, Warning, Caution, and instructional decals and plates.

## 5.1 SAFETY PRECAUTIONS



**All individuals who will operate this spreader must read and completely understand this Operator's And Parts Manual. Operator must have instructions before operating the machine. Untrained operators can cause injury or death.**

- DO NOT allow anyone to operate, service, inspect or otherwise handle this spreader until all operators have read and understand all of the instructional materials in this Operator's And Parts Manual and have been properly trained in its intended usage.
- For an operator to be qualified, he or she must not use drugs or alcohol which impair alertness or coordination while working. An operator who is taking prescription drugs must get medical advice to determine if he or she can safely operate a machine and the equipment.
- Make sure all personnel can READ and UNDERSTAND all safety signs.
- DO NOT allow minors (children) or inexperienced persons to operate this spreader.
- DO NOT operate until all shields and guards are in place and securely fastened.
- DO NOT step up on any part of the spreader at any time.
- DO NOT adjust, clean or lubricate while the spreader is in motion.
- Inspect when first delivered and regularly thereafter; that all connections and bolts are tight and secure before operating.
- Know how to stop operation of the spreader before starting it!
- Make certain everyone is clear of the spreader before applying power.
- Keep hands, feet and clothing away from moving parts. Loose or floppy clothing should not be worn by the operator.
- Observe all applicable traffic laws when transporting on public roadways (where legal to do so). Check local laws for all highway lighting and marking requirements.
- Shut off and lock out power before adjusting, servicing, maintaining or clearing an obstruction from this machine. (See 5.3 SHUTOFF & LOCKOUT POWER on page 20.)
- Always enter curves or drive up or down hills at a low speed and at a gradual steering angle.
- Never allow riders on either tractor / truck or equipment.
- Keep tractor / truck in a lower gear at all times when traveling down steep grades.
- Maintain proper brake settings at all times (if equipped).
- Stay well clear of the spreader's rear discharge spinners while operating.
- Do not step over the power take-off shaft. Stay clear of PTO at all times.
- Use only properly rated tires.
- **When towing the spreader on public roads** a safety chain of sufficient strength to support, along the line of travel, the gross weight of the spreader must be used. (See Maximum Load Weight Chart in the Transporting Section). The safety chain should be attached per diagram in the Transportation Section.

## **Safety Precautions For Tractor Towed Units:**

- Do not exceed 20 mph (32 kph). Reduce speed on rough roads and surfaces.
- Always install a SMV emblem on pull-type equipment when transporting on roadways and keep clean and bright.
- Always yield to oncoming traffic in all situations and move to the side of the road so any following traffic may pass.
- Comply with state and local laws governing highway safety and movement of machinery on roadways.

## **Safety Precautions For Hydraulic System:**

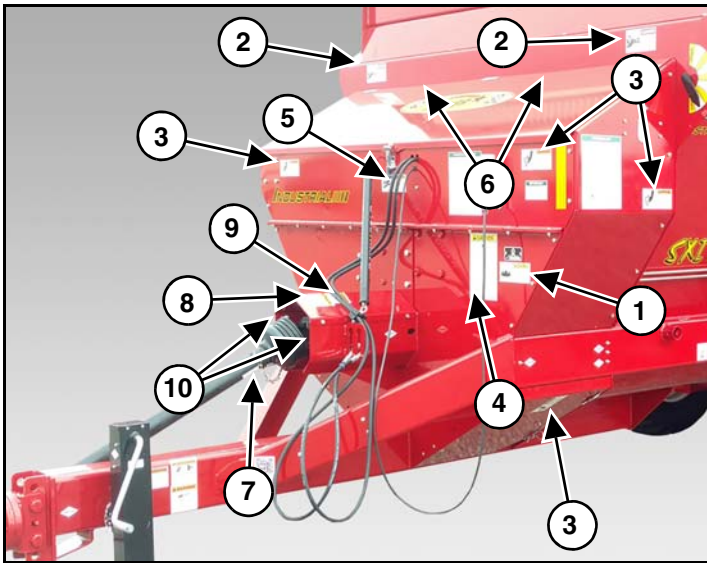
- Check hydraulic tubes, hoses and fittings for damage and leakage. Never use hands to check for leaks. Hydraulic tubes and hoses must be properly routed and have adequate support and secure clamps. Tighten or replace any parts that show leakage.
- Always clean fluid spills. Do not use gasoline or diesel fuel for cleaning parts. Use commercial nonflammable solvents.

## 5.2 SAFETY SIGNS



Read all safety signs on the spreader and in this manual. Keep all safety signs clean and replace any damaged or missing safety signs before operating the equipment. Do not remove any safety signs. Safety signs are for operator protection and information.

FRONT OF SPREADER

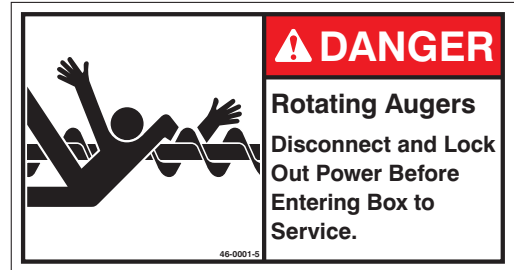


1



PART NO. 46-0001-35

2



PART NO. 46-0001-5

3



PART NO. 46-0001-4

5



PART NO. 46-8500-7

7



PART NO. 46-0001-13

4



PART NO. 46-0001-22

8



PART NO. 46-0004-2

9



PART NO. 46-3600-9

10



PART NO. 46-3600-2 (Located Under Shield)

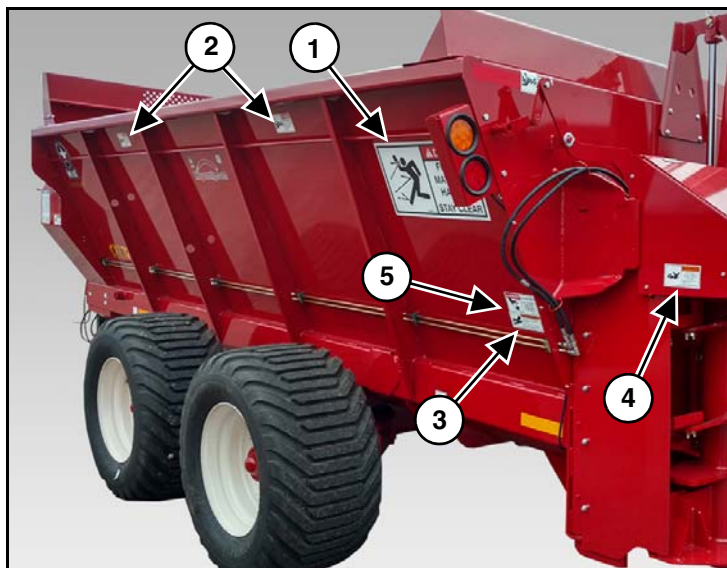
6



PART NO. 46-0001-26 (Located Under Shield)



LEFT SIDE OF SPREADER



PART NO. 46-8865-4



PART NO. 46-0001-5



PART NO. 46-8500-7

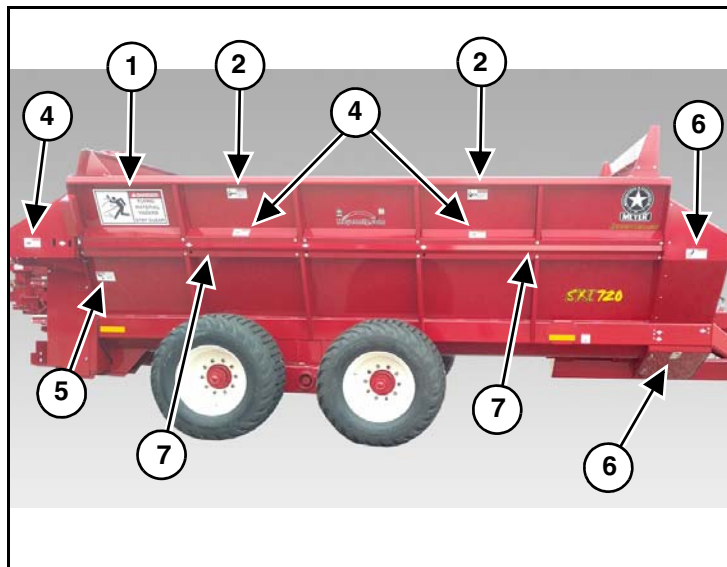


PART NO. 46-3600-9



PART NO. 46-9500-4

RIGHT SIDE OF SPREADER

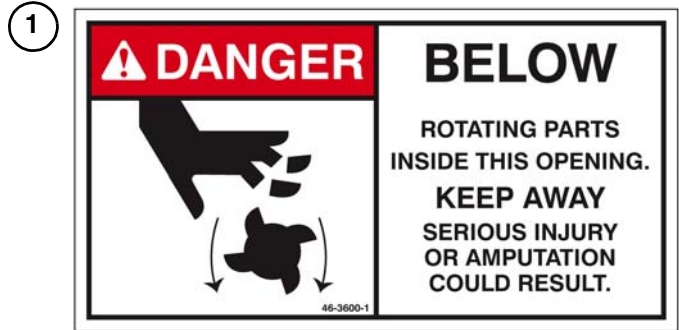
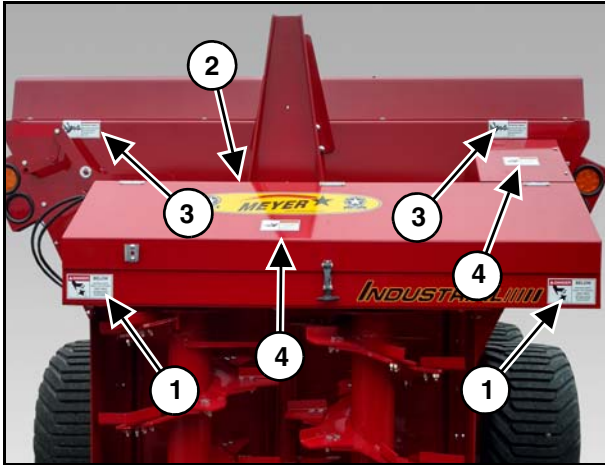


PART NO. 46-0001-4



PART NO. 46-3600-2  
(Located Under Shield)

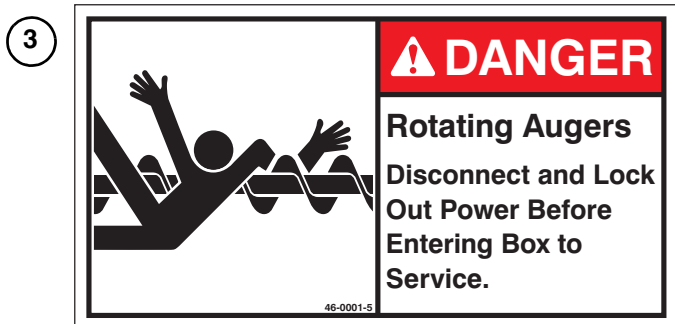
REAR OF SPREADER



PART NO. 46-3600-1



PART NO. 46-3600-2  
(Located Under Shield)

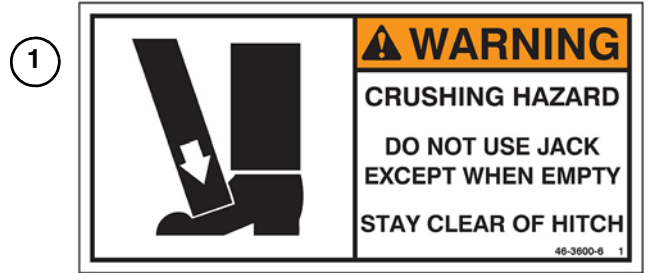
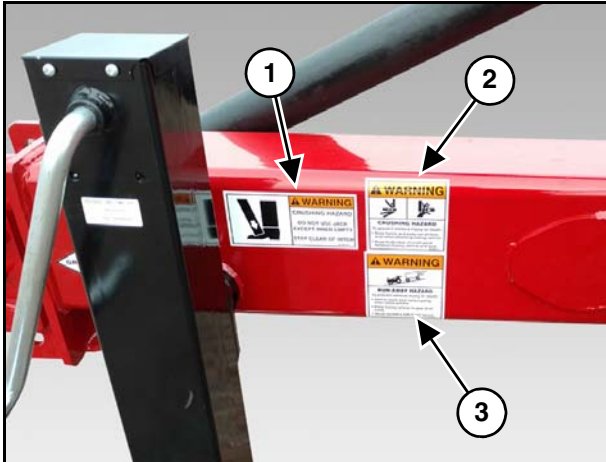


PART NO. 46-0001-5

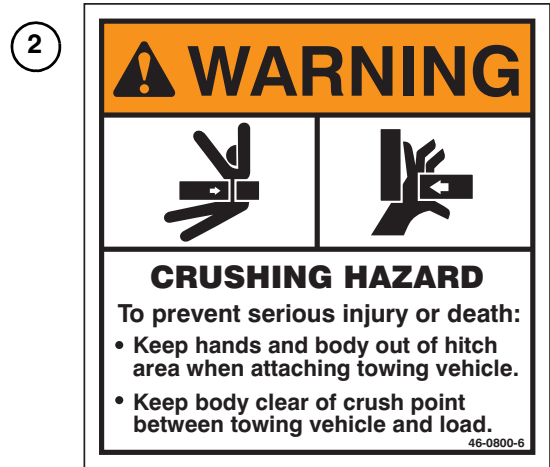


PART NO. 46-3600-9

FRONT HITCH OF SPREADER



PART NO. 46-3600-6



PART NO. 46-0800-6



PART NO. 46-0800-7

## 5.3 SHUTOFF & LOCKOUT POWER



Any individual that will be adjusting, servicing, maintaining, or clearing an obstruction from this machine needs to ensure that this machine stays safely “OFF” until the adjustment, service, or maintenance has been completed, or when the obstruction has been cleared, and that all guards, shields, and covers have been restored to their original position. The safety of all individuals working on or around this machine, including family members, are affected. The following procedure will be referred to throughout this manual, so be familiar with the following steps.

### 5.3.1 Shutoff & Lockout Power Recommendations

#### 1. Think, Plan and Check

- a. **Think** through the entire procedure and identify all the steps that are required.
- b. **Plan** what personnel will be involved, what needs to be shut down, what guards / shields need to be removed, and how the equipment will be restarted.
- c. **Check** the machine over to verify all power sources and stored energy have been identified including engines, hydraulic and pneumatic systems, springs and accumulators, and suspended loads.

2. **Communicate** - Let everyone involved, including those working on or around this machine, that work is being done which involves keeping this machine safely “OFF”.

#### 3. Power Sources

- a. **LOCKOUT** - Shut off engines and take the key, or physically lock the start/on switch or control. Disconnect any power sources which are meant to be disconnected (i.e. electrical, hydraulic, and PTO of pull-type units).
- b. **TAGOUT** - Place a tag on the machine noting the reason for the power source being tagged out and what work is being done. This is particularly important if the power source is not within your sight and/or will need to be isolated for a longer period of time.

4. **Stored Energy** - Neutralize all stored energy from its power source. Ensure that this machine is level, set the parking brake, and chock the wheels. Disconnect electricity, block moveable parts, release or block spring energy, release pressure from hydraulic and pneumatic lines, and lower suspended parts to a resting position.

5. **Test** - Do a complete test and personally double check all of the above steps to verify that all of the power sources are actually disconnected and locked out.

6. **Restore Power** - When the work has been completed, follow the same basic procedures, ensuring that all individuals working on or around this machine are safely clear of the machine before locks and tags are removed and power is restored.

**IMPORTANT**

It is important that everyone who works on this equipment is properly trained to help ensure that they are familiar with this procedure and that they follow the steps outlined above. THIS MANUAL WILL REMIND YOU WHEN TO SHUTOFF & LOCKOUT POWER.

## 6.0 PRE-OPERATION



### CAUTION

**DO NOT** allow anyone to operate, service, inspect or otherwise handle this spreader until all operators have read and understand all of the instructional materials in this Operator's and Parts Manual and have been properly trained in its intended usage.

**Verify that the spreader is securely fastened to the tractor / truck.**

**Verify that all electrical / hydraulic connections and bolts / hardware are tight and securely fastened before operating the spreader.**

**Always keep all shields and guards in place and securely fastened.**

**Keep hands, feet and clothing away.**

**Wear safety glasses to prevent eye injury when any of the following conditions exist:**

- **When fluids are under pressure.**
- **Flying debris or loose material is present.**
- **Tools are being used.**

### 6.1 STATIC INSPECTION



### WARNING

**Hydraulic fluid escaping under pressure can have sufficient force to cause injury. Keep all hoses and connections in good serviceable condition. Failure to heed may result in serious personal injury or death.**

Before operating the spreader for the first time and each time thereafter, check the following items:

1. Check that all safety signs are in good and legible condition.
2. Inspect the spreader for proper adjustments. (See 8.2 ADJUSTMENTS)
3. Lubricate the equipment. (See 8.1 LUBRICATION)
4. Make sure that all guards and shields are in place, secured and functioning as designed.
5. Check condition of all hydraulic components for leaks. Repair or replace as required
6. Check the hydraulic and gear box oil level. (See 8.1 LUBRICATION)
7. Remove any twine, wire or other material that has become entangled around the rear spinners and augers.
8. Check to see that no obstructions are present in the spreader. Be sure that there are no tools laying on or in the spreader.
9. Verify that all electrical and hydraulic connections are tight and secure before operating.
10. Check that all hardware is in place and is tight.
11. Watch for any worn or cracked welds. If found, have qualified personnel repair immediately or replacement is necessary.
12. Check all bearings for wear. Replace as needed.
13. Some parts will wear due to use. It is highly recommended to replace critical safety items such as a hitch that has worn through the "Wear Plate" or is less than three quarters of its original thickness.
14. Check the tires and inflate to the recommended pressure.
15. Inspect the condition of axles, o-beams, spindles, and safety lighting. Repair or replace as required.
16. Check that the brakes are clean and clean them if necessary. (Brake Option Only)

## 6.2 LIGHT HOOK-UP

**Truck Mounted Models:** A 4 pin electrical socket (Not Shown) is provided to connect the electrical control plug from your truck. This will operate signal, tail, clearance and brake lights.

**NOTE:** Depending on make and model of the truck, it may be necessary to install a light converter. (Meyer part #56-0028). The converter allows signal lights and brake lights to operate according to DOT Lighting Standards.

## 6.3 HYDRAULIC HOOK-UP



Hydraulic fluid escaping under pressure can have sufficient force to cause injury. Keep all hoses and connections in good serviceable condition. Failure to heed may result in serious personal injury or death.

Whenever working on any part of the hydraulics, safely relieve hydraulic pressure before starting.

**NOTE:** The PTO horsepower and/or hydraulic requirements may not reflect adequate tractor size for towing the machine.

## 6.4 PTO DRIVELINE



Shutoff and lockout power before performing machine service, adjusting, maintaining, or clearing an obstruction from this machine. Refer to section 5.3 SHUTOFF & LOCKOUT POWER.



Do not operate without PTO guard on implement and tractor. Maintain PTO drive shaft guard tubes in good operating condition. Replace them if damaged and not turning freely. Failure to heed may result in serious personal injury or death.

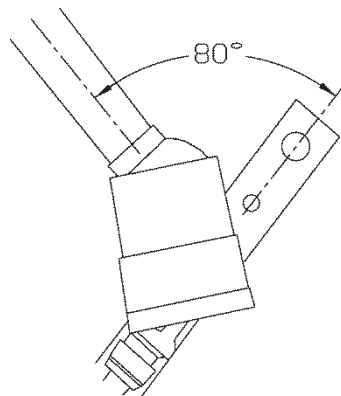
The tractor half of the PTO drive shaft assembly must be locked securely to the tractor output shaft and the implement half of the PTO drive shaft assembly must be locked securely to the SXI driveline.

See your PTO Installation, Service, and Safety Instruction Manual for additional PTO details. For a replacement manual, call the factory at 1-800-325-9103.

See your ADMA Safety Manual for further safety situations and precautions that you should familiarize yourself and those that may be operating this equipment. For a replacement manual, call the factory at 1-800-325-9103.

**IMPORTANT**

**DO NOT EXCEED THE MAXIMUM 80° TURNING ANGLE ON THE CONSTANT VELOCITY PTO DRIVELINE. EXCEEDING THE TURNING ANGLE WILL DAMAGE THE CONSTANT VELOCITY “CENTER HOUSING” AND WILL EXERT EXCESSIVE PRESSURES ON THE PTO INPUT CENTER SHAFT AND RELATED BEARINGS.**



## 6.5 TRACTOR DRAWBAR SETUP

This spreader is to be operated with 1000 RPM PTO ONLY. No PTO adapter may be used to alter speed or geometry.

Set your tractor drawbar to conform to the standard dimensions as shown, Figure 1. This will ensure that the PTO drive shaft will not be over extended.

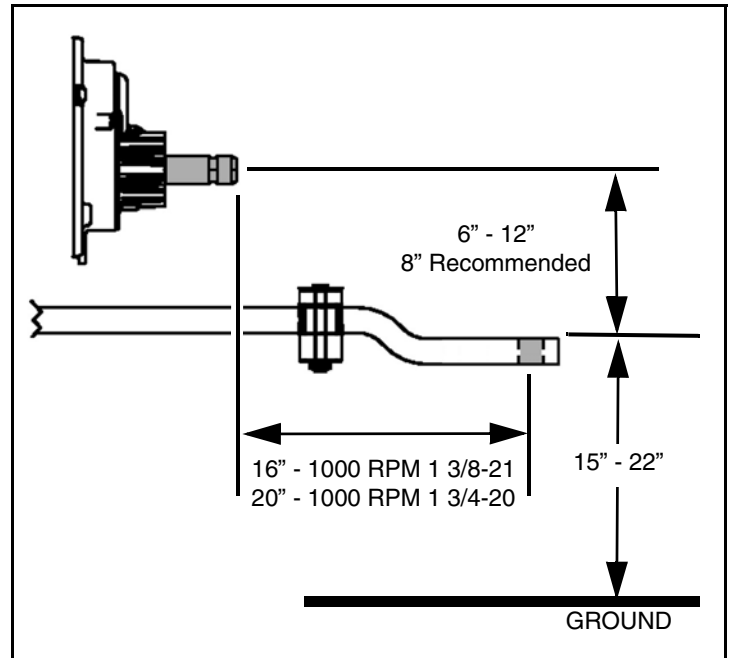


FIGURE 1. TRACTOR DRAWBAR & PTO SPECIFICATION

An improperly located hitch point may cause damage to the universal joints of the PTO drive shaft. Conforming to the standard 16" or 20" drawbar & PTO relationship will ensure that the PTO drive shaft will not become over-extended.

WITH INITIAL HOOK-UP TO YOUR NEW MEYER SPREADER TEST PTO TRAVEL BY TURNING EQUIPMENT IN BOTH DIRECTIONS OBSERVING THE MINIMUM (A) AND MAXIMUM (B) TRAVEL DIMENSIONS AS SHOWN, FIGURE 2.

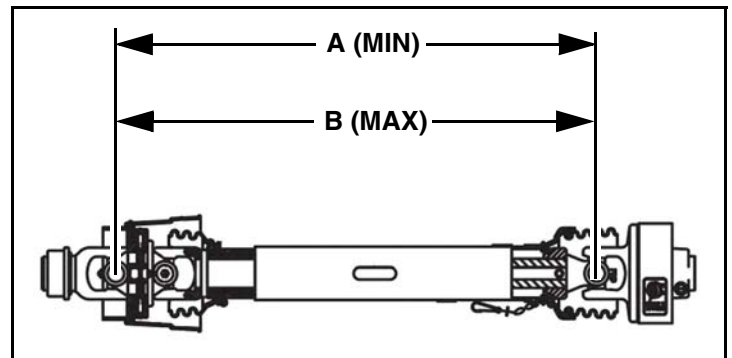


FIGURE 2. PTO DRIVELINE

PTO PART NUMBER	A	B
918-0511	50.00	68.70
918-0512	50.00	68.70

## 6.6 HITCHING TO TRACTOR

Move to the operator's position, start the engine and release the parking brake.



**Do not allow anyone to stand between the tongue or hitch and the tractor when backing up to the spreader.**

Move the tractor in front of the spreader. Slowly move the tractor backwards towards the spreader and align the drawbar with the implement's hitch.

**NOTE: Lower or raise the spreader jack to properly align the drawbar and hitch.**

Fasten the spreader hitch to the tractor drawbar with a properly sized hitch pin with safety retainer. (Reference ANSI/ASABE AD6489-3 Agricultural vehicles - Mechanical connections between towed and towing vehicles - Part 3: Tractor drawbar.) (See your Trailer / Chassis manual for further details.)

Before operation and after hitching the tractor to the implement, connect the hydraulic hoses, light cord and PTO drive shaft to the tractor. Slide the spring loaded locking collar onto the PTO yoke rearward, and then slide the yoke onto the tractor PTO shaft. Release the spring loaded collar. Be sure the pins fall into the groove of the tractor PTO shaft and that the collar snaps forward into the locked position. Move the tractor hydraulic controls to observe proper gate operation. Connect any optional equipment as needed.

**NOTE: If the controls operate the rear gate in the opposite direction to what you expect, reverse the hydraulic hose connections at the tractor.**

Remove the weight from the jack (jack is not to be used when spreader is loaded). Remove the jack from mount tube and move to the transport storage tube on the front of the spreader drive enclosure. Store in a horizontal position.

## 6.7 START-UP AND SHUT-DOWN



**DO NOT allow anyone to operate, service, inspect or otherwise handle this spreader until all operators have read and understand all of the instructional materials in this Operator's And Parts Manual and have been properly trained in its intended usage.**

**Before operating the spreader, look in all directions and make sure no bystanders, especially small children are in the work area.**



**Disengage the hydraulic power, engage the machine's parking brake, stop the engine and make sure all moving components are completely stopped before connecting, disconnecting, adjusting or cleaning this equipment.**

**Always keep all shields and guards in place and securely fastened.**

**Keep hands, feet and clothing away.**

### 6.7.1 Start-Up

Enter the tractor or truck and start the engine.

Slowly engage the PTO and operate at idle speed.



### 6.7.2 Shut-Down

Disengage the PTO.

Park the tractor / truck on a flat, level surface.

Engage the parking brake, stop the engine and exit the tractor or truck.

## 6.8 OPERATIONAL CHECKS



### CAUTION

Shutoff and lockout power before performing machine service, adjusting, maintaining, or clearing an obstruction from this machine. Refer to section 5.3 SHUTOFF & LOCKOUT POWER.

**DO NOT** allow anyone to operate, service, inspect or otherwise handle this spreader until all operators have read and understand all of the instructional materials in this Operator's And Parts Manual and have been properly trained in its intended usage.

Before operating the spreader, look in all directions and make sure no bystanders, especially small children are in the work area.



### WARNING

Always keep all shields and guards in place and securely fastened. Keep hands, feet and clothing away.



### DANGER

Make certain all personnel are clear of the spreader and the rotating spinners or beaters before applying power. Failure to heed may result in serious personal injury or death.

Before running material through the spreader for the first time and each time thereafter, follow the steps listed below.

1. Make sure spreader is empty.
2. Follow the Start-Up procedure section 6.7.1.
3. Raise and lower the gate a couple times.
4. Operate the spreader for approximately 5-10 minutes.
5. Follow the Shut-Down procedure section 6.7.2.
6. Check drive components to be sure components are not abnormally hot.
7. Check all hydraulic components for leaks.
8. Adjust and lubricate equipment as needed. (See 8.1 LUBRICATION) & (See 8.2 ADJUSTMENTS).

**NOTE: Check chain oiler reservoir oil level.**

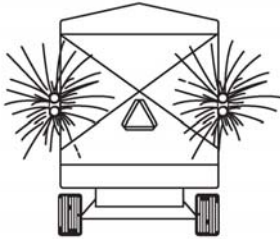
## 6.9 TRANSPORTING

### CAUTION

#### AVOID SERIOUS INJURY OR DEATH

- Read and understand owner's manual before using. Review safety precautions annually.
- Before operating the spreader, look in all directions and make sure no bystanders, especially small children are in the work area.
- No riders allowed when transporting.
- Do not drink and drive.
- Before moving, be sure required lights and reflectors are installed and working.
- Before maintenance or repair, stop vehicle, set parking brake, and remove ignition key.
- Place safety stands under frame and chock wheels before working on tires or chassis.
- Maintain wheel bolts at torque as recommended in the manual.
- If equipped with brakes, maintain proper adjustment.

### CAUTION



#### Pull-Type Units

- Use flashing warning lights when transporting on ALL highways (public roadways) at ALL times (Tractor towed models) EXCEPT WHEN PROHIBITED BY LAW! (Check w/local law enforcement).
- By all state and federal laws, implement lights do not replace the SMV (Slow-Moving Vehicle) identification emblem. All towed agricultural vehicles must display SMV emblems when traveling LESS than 20 mph (32 kph).
- Check for traffic constantly. Be sure you can see that no one is attempting to pass you and that all traffic is sufficiently clear from you before making any turns.
- Securely attach to towing unit. Use a high strength appropriately sized hitch pin with mechanical retainer and attach safety chain.
- Do not exceed 20 mph (32 kph). Slow down for corners and rough terrain.

### WARNING



#### To Prevent Serious Injury Or Death

- Keeps hands and body out of the hitch area when attaching towing vehicle.
- Keep body clear of crush point between towing vehicle and load.

### WARNING



#### To Prevent Serious Injury Or Death

- Shift to lower gear before going down steep grades.
- Avoid traveling on slopes or hills that are unsafe.
- Keep towing vehicle in gear at all times.
- Never exceed a safe travel speed (which may be less than 20 MPH.).

**WARNING**

You must observe all applicable traffic laws when transporting on public roadways. Check local laws for all highway lighting and marking requirements. Failure to heed may result in serious personal injury or death.

**WARNING**

(Tractor Powered) Do not tow at speeds in excess of 20 mph. Failure to heed may result in serious personal injury or death.

**IMPORTANT**

Verify that the rear discharge door is in the closed position before traveling on roadways.

**IMPORTANT**

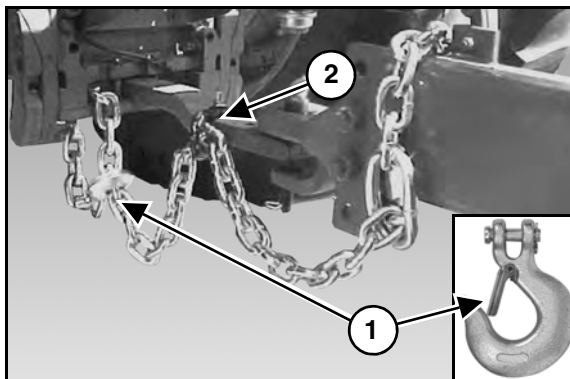
If you will travel on public roads and it is legal to do so, you must know all rules governing such operation. This will include lighting and brake requirements in addition to traffic rules.

NOTE: An optional highway lighting package is available to assist in meeting these requirements. See your Meyer dealer for details.

6.9.1 Safety Chain

**WARNING**

A safety chain must be installed to retain the connection between the tractor (or other towing vehicle) and implement whenever traveling on public roads in case the hitch connection would separate.



The chain must be of adequate size to hold the weight of the loaded spreader.

NOTE: If using a grab hook at the end(s) of the chain to secure the chain to itself, a hook latch (Item 1) must be installed.

The length of the safety chain is not to be any longer than necessary to turn without interference. If any chain links or attachment hardware are broken or stretched, repair before using. Store chain so it does not corrode or become damaged. Do not use this chain for other implements because the strength and length of the chain may not be adequate. Identify this chain for use on this particular spreader.

NOTE: Do not use the intermediate support (Item 2) as the attaching point.

**IMPORTANT**

If you do not have a safety chain, or a replacement safety chain is needed, see your local Meyer dealer and do not operate on public roads until you are able to travel with the safety chain properly installed.

## 6.9.2 Tractor Towing Size Requirements

Use the following charts to help calculate the minimum tractor weight when towing without implement brakes. The minimum tractor weight, up to 20 mph (33 kph) needs to be two thirds of the box Gross Weight (GW). Gross Weight is calculated by the empty weight of the box and undercarriage combined added to the Load Weight. Then take the Gross Weight and multiply it by 0.667 and you will get the Minimum Required Weight of the Tractor.

*Spreader Loaded Weight x .667 = Minimum Tractor Weight Up to 20 mph*

Model	MAXIMUM SPREADER GROSS WEIGHT (LBS)	MINIMUM TRACTOR WEIGHT UP TO 20 MPH (LBS)
720	49,880	33,500
865	55,820	37,250

## 6.9.3 Spreader Brake Information (Optional)

Two optional brake systems are offered for your spreader. A brake system is recommended for any spreader operated on public roads and may be a requirement.

### 6.9.3.1 Lever Operated Hydraulic Bakes

This brake system is connected to the tractor remote hydraulic ports and is controlled by the tractor hydraulic system. The two hose system has a hydraulic manifold with pressure relief to prevent the pressure to the brake activating cylinders to exceed the relief valve setting.

Applying hydraulic pressure from the tractor causes tractor hydraulic fluid to flow under pressure to the pressure relief valve and activates the brake activating cylinders to apply the brakes.

**Applying The Brakes** - Gradually move the tractor spool valve lever as required to apply the brake. The hydraulic hoses should be connected to the tractor ports so the spool valve lever gives the expected response. Test this after hooking up. If response is opposite of expected, reverse the hoses.

**Releasing The Brakes** - Move the tractor spool valve lever to the opposite direction and hold momentarily. Then return lever to the "float" position.

**NOTE:** Simply returning the spool valve lever to the neutral position without first moving the lever to the opposite position will not release the brakes.

**IMPORTANT**

When brakes are not required, the spool valve lever must be in the "float" position on the tractor spool valve.

### 6.9.3.2 Pedal Operated Hydraulic Bakes

This brake system is a one hose system. The single hydraulic hose must be connected to the tractor remote pedal port.

**Applying The Brakes** - Gradually apply the tractor brake pedal to apply the brakes.

**Releasing The Brakes** - Release the tractor brake pedal to release the brakes.

**CAUTION**

At no time should the brake system be used as a parking brake. With loss of hydraulic pressure, the brakes will lose their holding power.

## 7.0 OPERATION

### CAUTION

DO NOT allow anyone to operate, service, inspect or otherwise handle this spreader until all operators have read and understand all of the instructional materials in this Operator's and Parts Manual and have been properly trained in its intended usage.

Before operating the spreader, look in all directions and make sure no bystanders, especially small children are in the work area.

Do not climb or step on any part of the spreader at any time.

Turn on level ground. Slow down when turning.

Go up and down slopes, not across them.

Keep the heavy end of the machine uphill.

Do not overload the machine.

Check for adequate traction.



### 7.1 LOADING

### CAUTION

Shutoff and lockout power before performing machine service, adjusting, maintaining, or clearing an obstruction from this machine. Refer to section 5.3 SHUTOFF & LOCKOUT POWER.

### IMPORTANT

Do not use the jack except when the implement is empty. The jack will not support added weight. Unbalanced weight may result in unexpected "TIP UP" of the implement.

### IMPORTANT

Overloading may cause failure of axles, tires, structural members, hitches, loss of vehicle control. **DO NOT** exceed maximum gross weight.

### IMPORTANT

This machine is not intended to be a bale grinder, hay chopper or bedding machine. Failure to comply may damage the drivetrain and void the warranty.

### IMPORTANT

Filling the spreader evenly from the front to rear will ensure there is downward force on the tractor hitch and provide traction for the tractor wheels.

### IMPORTANT

It is unlawful to allow manure to splash or leak onto public roads.

**NOTE:** Heaping material over the sides of the box will add a significant amount of weight to the load.

**NOTE:** To prevent damage to spinners and drivelines, foreign objects (stones, concrete, timber, metal or large frozen chunks of manure) should never be loaded into the spreader.

Before loading, especially in freezing weather, make sure the augers and spinners are free to rotate and the rear gate moves freely up and down.

When the spreader is parked for loading, shift the tractor to neutral or park and set the brakes.

**NOTE:** Check and be sure that the rear end gate is completely closed before loading. This gate must be closed during loading to prevent packing of material into the beaters and to help prevent leakage during transport.

<b>MATERIAL ESTIMATED WEIGHT PER CUBIC FOOT</b>	
<b>MATERIAL</b>	<b>(LBS / CU. FT.)</b>
Lime Sludge	110 - 115 lbs.
Dry Feedlot Manure	63 - 65 lbs.
Chicken Litter	63 - 65 lbs.
Cake Sludge	62 - 65 lbs.
Semi-Solid Manure	58 - 60 lbs.
Pen Packed Manure	30 - 35 lbs.
Liquid Manure	63 - 65 lbs.
SAE D384.2	

**NOTE:** Maximum Gross Weight is the lesser value between the implement or tires.

**NOTE:** Overloading can have detrimental effects on the integrity of the spreader and its safe use. Some materials such as lime sludge may not be able to be filled to struck level. Overloading will void warranty and increase risk to the operator's safety. Always be aware of your gross weight.

<b>MODEL</b>	<b>MAXIMUM SPREADER GROSS WEIGHT</b>	<b>TOTAL NET WEIGHT (LBS)</b>	<b>CU. FT. CAPACITY**</b>	<b>CAPACITY IN GALLONS</b>
720	49,880	14,680	468	3,500
865	55,820	17,820	562	4,200

\*\* Struck capacity, heaped loads significantly increase weight.

Drive alongside the loading vehicle. Fill the spreader evenly to properly distribute the load while loading. When dumping into the box with an end-loader, center the bucket just forward of the axle to properly distribute the load while loading.

A hydraulic lid is available to aid in the containment of liquids.

## 7.2 UNLOADING



Make certain all personnel are clear of the spreader and the rotating spinners before applying power. Failure to heed may result in serious personal injury or death.



The unloading process described is to be performed by the operator alone. This will eliminate unexpected "start-ups" and minimize other hazards that could result by more than one person in control.



Shutoff and lockout power before performing machine service, adjusting, maintaining, or clearing an obstruction from this machine. Refer to section 5.3 SHUTOFF & LOCKOUT POWER.

**NOTE:** Unloading is best observed from the operator's seat.

1. Move the tractor / truck and spreader to the unloading area.

## 2. **Mechanical Driven Spreader:**

When you are ready to begin spreading application on the field, open the rear gate and slowly engage the tractor PTO clutch. This can be done while traveling forward to avoid a heavier application of liquid manure at the edge of the field than desired.

### **Hydraulically Controlled Augers (Optional):**

When you are ready to begin spreading application on the field, open the rear gate and slowly engage the tractor PTO clutch before turning the hydraulically driven auger on to the desired application rate. This can be done while traveling forward to avoid a heavier application of liquid manure at the edge of the field than desired.

### **All Spreaders:**

For liquid and semi-liquid manure, the rear gate can limit the application rate by how far it is opened. The gate indicator on the front of the box will provide a ready reference for the amount of opening. For solid manure (dry, pen-packed or manure containing long straw or hay) the rear gate **MUST be completely open** since this material is not free flowing.



**FLOW CONTROL GATE INDICATOR**

The rear spinners have been designed and tested to provide the best spread pattern for most liquids and semi solid manure. However, the pattern will vary for each specific condition. The factors that contribute most to differing patterns and widths will be moisture content and the amount and length of bedding material. For most typical conditions, the spread pattern should be uniform and about 25-35 ft. wide. When this is the case, plan your spreading patterns so you do not have to travel over previously spread manure which will be slippery, resulting in poor traction. Traction on wet grass is also poor. When the resulting pattern may require that you overlap during spreading, use precautions on slopes and hills where you could experience a loss of traction by traveling over ground with previously spread manure.

**NOTE: Further control of the application rate is possible by the relationship of tractor engine speed to ground speed (transmission gear selection). For optimum, trouble-free performance it is recommended to operate at or near engine PTO speed.**

3. When the spreader is empty, idle the tractor and stop the PTO.
4. Close the rear gate.

**NOTE: Failure to idle the tractor before disengaging the PTO will cause roller chain over-running and damage to the chain tighteners.**

**NOTE: Maximum life of the PTO shaft universal joints will result if you stop the PTO while making turns at the end of the field.**

### **7.2.1 PTO Cutout Clutch**

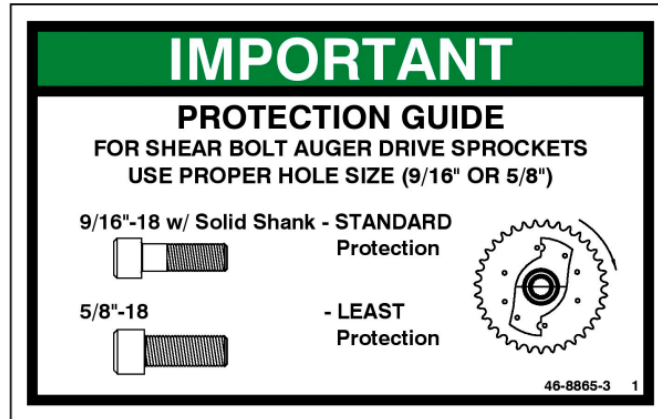
Spreaders are equipped with a cutout type clutch on the implement half of the PTO driveline. The clutch is designed to limit the amount of torque transferred to the machine through the driveline. If excessive torque is developed the clutch will disengage. A loud ratcheting sound will be heard and the transfer of power to the machine will be disrupted. To re-engage the machine, turn the PTO to off and allow the driveline to come to a stop. The PTO can then be re-engaged to restart the spreader. The cutout clutch will either re-engage upon shut down of the PTO or just before it comes to a complete stop.

The cutout clutch will disengage if start up is done in an abrupt or reckless manner. It will also disengage from foreign materials entering the expeller area of the spreader. If PTO clutch fails to re-engage it will be necessary to remove the foreign object from the spreader before restarting.

### 7.3 SHEAR SPROCKET

The Meyer Spreader you have received has been equipped with a shear sprocket design on the main auger drive sprockets. The augers are being driven by two allen head grade 8 bolts. The design is such that if the bolts are sheared another set of holes to install new shear bolts will always be accessible without turning over the machine.

The plate sprocket is set up with the initial drive bolts being 9/16" diameter. Install the new bolts in the proper way as to drive off of **THE HEAD** of the bolt, not on the nut.



PART NO.	DESCRIPTION
831-5618-1.50-SL	9/16-20 x 1-1/2" Allen Head Cap Bolt
884-5618	9/16-20 Top Locknut Grade 8
831-6318-1.5	5/8-18 x 1-1/2" Allen Head Cap Bolt
884-6318	5/8-18 Top Locknut Grade 8
910-0100	140B35 Shear Sprocket Assembly Complete

### 7.4 FREEZING WEATHER OPERATION

Allow spreader to completely empty the last of its contents, shutoff and lockout power, and allow all movement to stop before attempting to clean the spreader.

Scrape clean any remaining debris from inside the rear of the spreader.(Augers, Rear Gate, & Spinners). Make certain that all personnel are clear of the spreader and the rotating spinners before slowly engaging the PTO. Operate the spreader several minutes to clean manure scrapings and to allow any remaining manure and the spreader to freeze dry. Hydraulically run the rear gate up and down to clean the gate slides. Park the spreader with the gate halfway open.

Before loading in freezing weather, make sure augers and spinners are free to rotate, and the rear gate moves freely up and down.



**Shutoff and lockout power before performing machine service, adjusting, maintaining, or clearing an obstruction from this machine. Refer to section 5.3 SHUTOFF & LOCKOUT POWER.**



## 7.5 UNHOOKING THE TRACTOR

1. Park the implement on level ground. Put the tractor controls in neutral, set the parking brake, and turn the engine off before dismounting.
2. Place wheel chocks in front and in back of the implement wheels on opposite sides to prevent the implement from rolling after the tractor is unhooked.
3. Remove the hydraulic hose ends from the tractor hydraulic ports and secure the hose ends on the front of the box to keep them clean.
4. Remove the light cords and any optional equipment connections.
5. Remove the PTO drive shaft yoke from the splined tractor PTO shaft and store in the provided support bracket.
6. Pull Type Models: Remove the jack from the storage mount and install it on the hitch tongue. Crank the jack down until the hitch lifts off the tractor draw bar.



**WARNING**

**Jack is not designed to support the implement when it is loaded.**

7. Pull Type Models: Remove the hitch pin.
8. Pull Type Models: Unhook safety chain from tractor drawbar and intermediate support.
9. Pull Type Models: Slowly drive the tractor away from the implement.



## 8.0 MAINTENANCE

### 8.1 LUBRICATION



Shutoff and lockout power before performing machine service, adjusting, maintaining, or clearing an obstruction from this machine. Refer to section 5.3 SHUTOFF & LOCKOUT POWER.

**IMPORTANT**

Fluid such as hydraulic fluid, grease, etc., must be disposed of in an environmentally safe manner. Some regulations require that certain spills and leaks on the ground must be cleaned in a specific manner. See local, state and federal regulations for the correct disposal.

**IMPORTANT**

Failure to grease the CV center housing and telescoping members will reduce the life of the CV joint.

**IMPORTANT**

Check regularly for any lubricant leakage of the front gearbox and the (3) gearboxes at the rear of the spreader.

**NOTE:** If telescoping members become hard to slide during normal operation, it is recommended the shaft be taken apart, cleaned with solvent and recoated with grease before reassembling. As a minimum it is important this be done monthly.

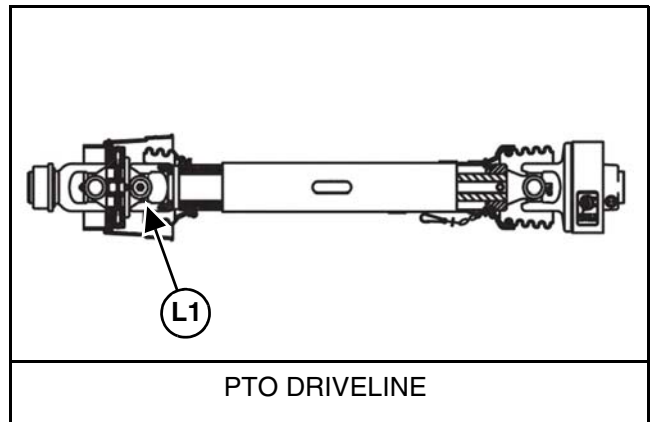
**NOTE:** Use a grease type that is composed of a high quality lithium complex or better, unless otherwise stated. We recommend using a #1 grade in colder temperatures or a #2 grade in warmer temperatures.

#### 8.1.1 PTO Lubrication Prior to Use

**L1** Using the CV Zerk place 20 pumps of grease into the CV center housing. This should be done with the driveline / CV as straight as possible.

Slowly articulate the double joint through its maximum joint angle several times.

Return the CV joint to its straight position and insert additional grease into the CV Zerk until grease is evident around the housing and center sliding disk.



### 8.1.2 Daily Lubrication (every 8-12 loads)

**L2** Grease (2) rear spinner lower bearings. The bearings are grease line fitted to the left rear frame channel of the spreader.

**L3** Oil (4) roller chain drives with automatic oiler at the front of the spreader with clean 30 weight oil. The roller chains are accessible by opening the front steel shielding cover.

**L4** Grease (5) bearings supporting the two large jack shaft reduction sprocket weldments and the third auger drive shaft on the front drive. The zerks are accessible by the right front side and left front side grease banks of the spreader. Be careful not to over grease.

**L5** Grease (2) auger shaft bearings. The bearings are grease line fitted to the lower zerks on the right front side and left front side grease banks of the spreader. Over greasing is not possible.

### 8.1.3 Weekly Lubrication (every 25-30 loads)

**IMPORTANT**

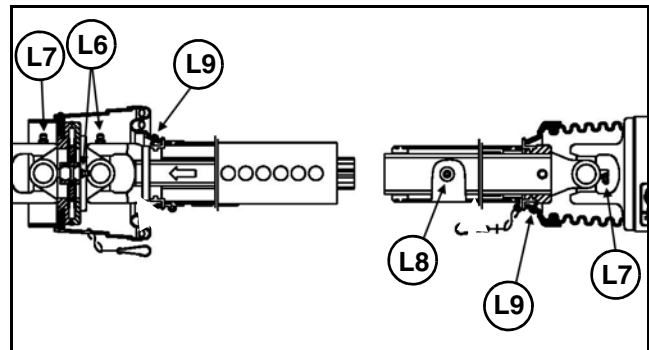
**Check regularly for any lubricant leakage of the front gearbox and the (3) gearboxes at the rear of the spreader. See L16 & L19 under Monthly Lubrication.**

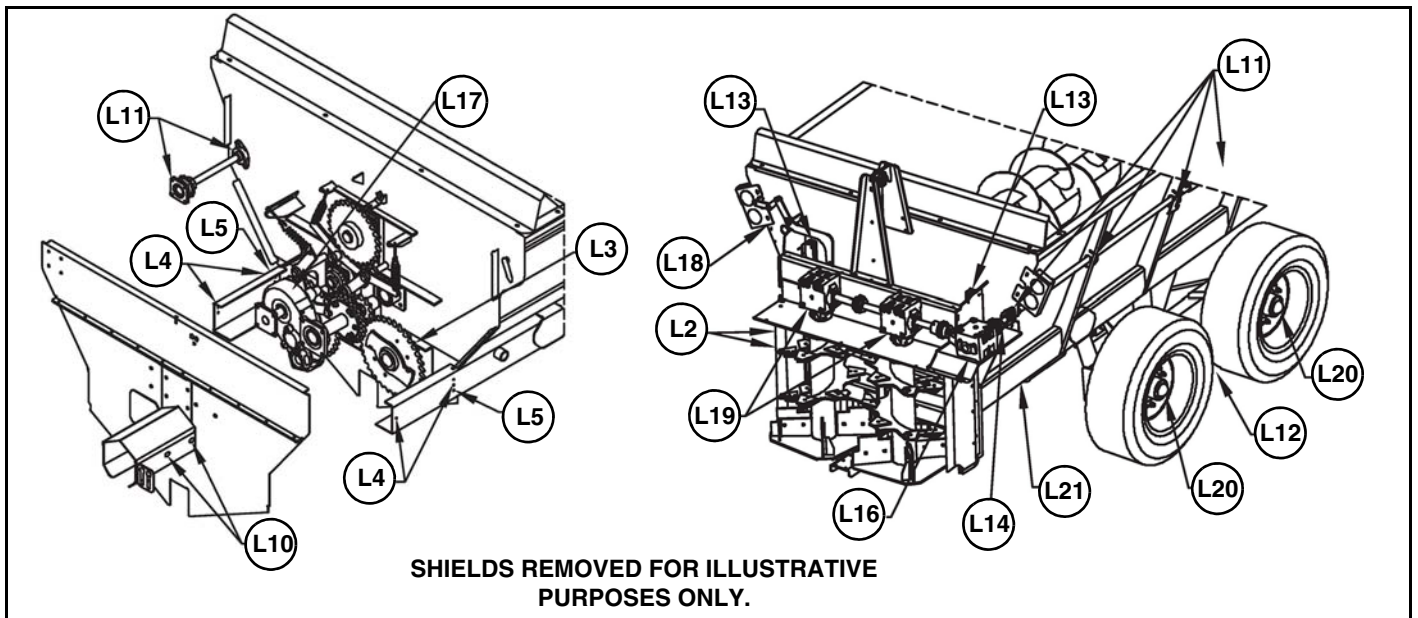
**L6** Grease the CV center housing until it is evident around the center sliding disk (CV gets greased through the cross and bearing).

**L7** Grease the cross and bearings until it is purged around the seals.

**L8** Grease telescoping members until it adequately covers the sliding members. Take apart occasionally to make sure adequate lubrication is being added. Take apart each season to be cleaned with solvent and re-coated with grease before re-assembling.

**L9** Add 2-3 pumps of grease to the shield bearings.



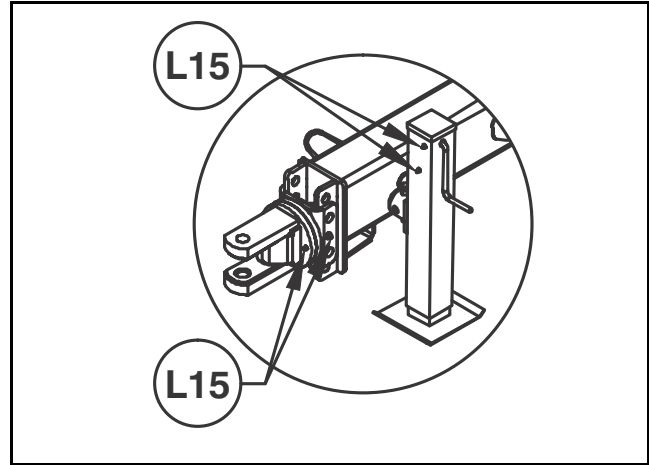


- (L10) Grease (2) PTO input shaft bearings. The bearings are accessible on the left side of the PTO cover shield.
- (L11) Grease (6) bearings on the right hand side drive shaft. The front and second bearings are grease line fitted to the right front side grease bank. The remaining rear bearings are located along the right hand side of the spreader tank. The zerks are accessible through the steel shielding.
- (L12) Grease (2) tandem wing pivots. Over greasing is not possible.
- (L13) Grease (2) rear gate slide guides. Grease the slide guides from the top side with the rear gate opened. Allow grease to lubricate rear gate ends and slide guide surfaces. In freezing weather, dump used motor oil down each slide guide once a week or more often if needed. Over greasing is not possible.
- (L14) Grease (1) integral overrunning clutch on the spinner transfer shaft connection to the corner gearbox.

### 8.1.4 Monthly Lubrication

(L15) Grease (2) jack assembly zerks located on the front face of the jack and grease (2) hitch zerks.

(L16) Maintain oil level in the corner gearbox at the centerline of the input shafts. Check regularly for any observable oil leakage. If oil leakage is excessive, replace required input/output shaft oil seals. Use ONLY EP #80-90 wt. gear lube oil or an equivalent in the corner gearbox. Only lighter weight gear lube oil may be used in temperatures lower than 20°F. Change oil in the gearboxes after the first season of use and regularly thereafter.



(L17) Maintain the lube level visible in the front gearbox sight glass at 1/2 full. Check regularly for any observable leakage. If oil leakage is excessive, replace required input/output shaft oil seals. Use ONLY SAE 90EP gear lube oil or an equivalent. A fill plug is provided. Change oil in the gearbox after the first season of use and regularly thereafter.

(L18) Grease (1) nylon bushing supporting the rear shaft of the 3rd auger assembly. The zerk is grease line fitted to the left rear corner of the tank below the light bracket.

(L19) Maintain the lube level in the (2) spinner gearboxes at 3/4 full. Check regularly for any observable leakage. If leakage is excessive, replace required input/output shaft seals. Lubricate with semi-fluid EP lithium base gear grease.

(L20) Clean and repack the wheel hubs with axle grease annually. Grease the hub through the zerk in the hub monthly. Be careful not to over grease and force the seal out of the back side of the hub.

(L21) Grease (2) T-post hold down sleeve zerks located above the cross channel on the underside of the spreader. The zerks are located on the front and the rear of the sleeve.

### 8.1.5 Automatic Chain Oiler



Shutoff and lockout power before performing machine service, adjusting, maintaining, or clearing an obstruction from this machine. Refer to section 5.3 SHUTOFF & LOCKOUT POWER.



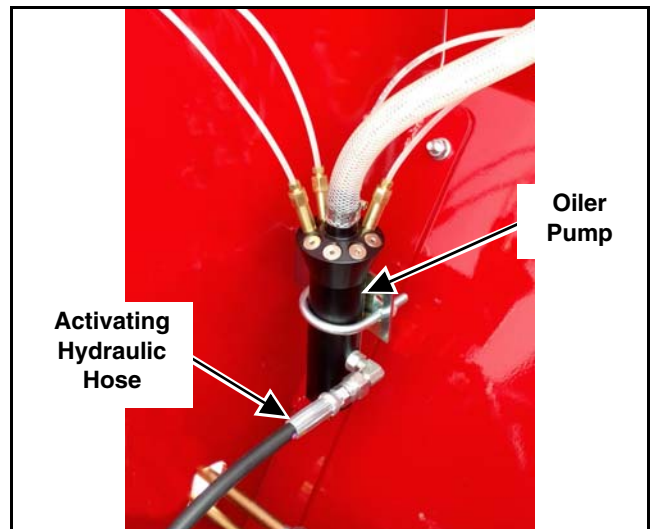
Hydraulic fluid escaping under pressure can have sufficient force to cause injury. Keep all hoses and connections in good serviceable condition. Failure to heed may result in serious personal injury or death.

The automatic chain oiler attachment gives a squirt of clean oil to all roller chains every time that the spreaders rear gate, hydraulic cylinder is activated. In this way, the spreaders roller chains get oiled in direct proportion to the number of hydraulic cylinder cycles of the rear gate. This assures adequate lubrication.

New 30 weight oil, which is placed in the reservoir tank mounted on the spreader, is all that is needed to properly lubricate all roller chains and sprockets. The automatic chain oiler does not use any oil from the tractor's hydraulic system. The hydraulic hose connected to the bottom of the oiler pump only serves to power the piston in the pump every time that the spreader's rear gate is opened.

Should the oil reservoir tank run dry, pour about a 1/2 cup of clean 30 weight oil into the tank. Allow time for the oil to run down into the oiler pump slowly and allow air to escape. After thirty minutes to one hour has passed, finish filling the reservoir tank. Make sure that all fittings and brackets are tight when finished filling the tank.

While running the tractors hydraulics only, open and close the spreaders rear gate several times. This will cycle the hydraulic cylinder leading to the oiler pump. Keep cycling until oil can be seen in all of the oil lines leading to the oiler brushes. (If you experience problems priming the oiler pump, you may need to bleed air out of the hydraulic hose where it is connected to the pump. Crack the fitting until oil comes out, and then re-tighten.) The hydraulic cylinder that the oiler pump is tied into is double acting and must reach 300 PSI of pressure to actuate the pump.



When replacing oiler brushes into brush holders, use regular 1/2"-20 nuts. Tighten nut finger tight initially as some adjustment may be needed later. For best results, place brush holders over top of roller chains and directly on top of sprockets. Adjust brush holders so oiler brushes are pushed down into the roller chain approximately 1/2". Carefully tighten up the 1/2"-20 nuts on the oiler brushes. DO NOT over tighten as damage to the brush will occur. The plastic threads of the oiler brush will crack and then break off from the brush body.

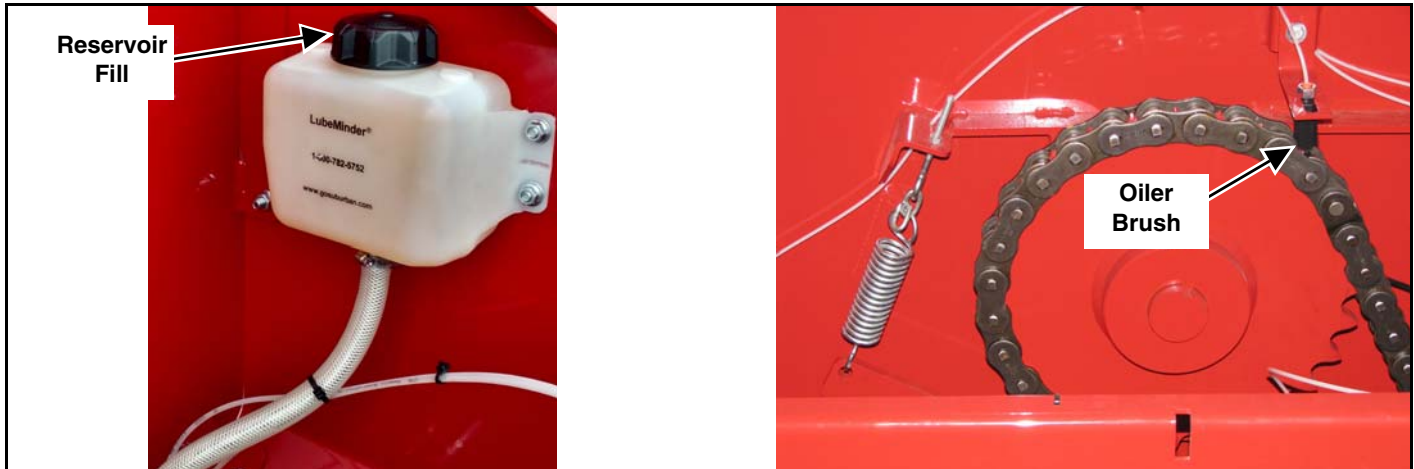


The 5/32" oil line tubing can only be removed from an oiler brush by pushing in on the red plastic ring and pulling the tubing out while holding the ring down.

The oiler pump is set at the factory to deliver the maximum amount of oil per cycle. If less oil is desired, loosen the jam nut on the bottom of the pump and screw in the adjusting shaft 1/4" or approximately 5 turns. It is not recommended to screw the shaft into the bottom of the oiler pump more than 15 turns as this may not allow for proper lubrication of the roller chains.

## IMPORTANT

Always use new 30 weight oil. In cold weather, use a SAE 10 or a mixture of two parts of 30 weight oil to one part diesel fuel.



## 8.2 ADJUSTMENTS

### CAUTION

Shutoff and lockout power before performing machine service, adjusting, maintaining, or clearing an obstruction from this machine. Refer to section 5.3 SHUTOFF & LOCKOUT POWER.

#### 8.2.1 Front Drive Roller Chains

There are four roller chain drives located at the front of the spreader. Regularly check that all tensioning springs are in serviceable condition for automatic roller chain tightening. Manually adjust spring tensioners (as needed) by turning locknuts on all tensioning bolt/idler assemblies. Proper roller chain tension is when gap between spring coils measures 1/8" to 3/16". Regularly re-check all roller chain tensions. Keep all roller chains tight at all times!

#### 8.2.2 Balance of Spinners

Review the rear spinners to make sure all paddles are in place and securely fastened. The loss of a paddle or tooth can cause the spinner to be unbalanced, causing damage such as premature bearing failure and cracking to occur to the frame of the spreader. If the spinners are out of balance do not operate until corrective action has been taken.



### **8.2.3 PTO Cutout Clutch Connection**

The cutout clutch end of the PTO driveline must always be attached to the implement. The PTO driveline is equipped with a 1-3/4 x 20 spline on the implement half for attaching to the spreader. Remove the M17-hexagon bolt from the splined hub and slide the PTO onto the implement splined input shaft. Install the hexagon bolt through the hub being sure the bolt is falling into the groove on the splined shaft. Torque tight using a metric size M17 6-point socket and torque down to 75 ft. lbs. A M17 6-POINT METRIC SOCKET MUST BE USED AS ROUNDING OF HEXAGON BOLT AND INACCURACY OF TORQUE SETTINGS COULD OCCUR.

If removal of the M-17 hexagon bolt is necessary, use the same M-17 6-point socket and loosen bolt 1/2 turn. Insert a 1/4" drift punch in the hole on the opposite side of the hexagon bolt and tap to loosen the seated portion of the bolt from the splined hub. Loosen in 1/4 turn increments and tapping to loosen. After bolt seat has been released, remove the bolt. If bolt is not unseated, damage to the hexagon bolt will occur.

Attach the shield safety chain to a suitable area on the spreader, preferably to the implement PTO steel shield.

### **8.2.4 720 Brake Adjustment**

Properly support wheel end to adjust the brakes with the tire assembly removed.

Excessive actuator travel (over one inch) is a sign that the brakes need to be adjusted. Jack wheel/tire off of the ground and rotate tire in the forward direction. The brake adjustment nut is located through a slot at the bottom of the backing plate. Insert brake tool or screw driver into slotted hole with handle up and bit against the adjusting wheel, pull down on handle and rotate drum in forward direction while tightening. When you can no longer rotate drum in the forward direction, then loosen the large nut on the back side of the brake cluster, located at the 12 o'clock position, one turn, do not take nut completely off, just loosen to allow anchor pin to realign. Take dead blow hammer and tap on brake drum several times around the perimeter, Now retighten the large anchor pin nut. Back off adjuster twenty clicks (notches) for two-wheel brake systems and fifteen clicks (notches) for four wheel brake systems. and back off shoe adjuster 10-15 clicks. If there is one spot where the wheel drags just slightly this is acceptable. As soon as the brake linings are burnished (this requires several braking stops) the brakes will then be set right.

### **8.2.5 865 Brake Adjustment**

Take up the slack when the stroke reaches about two thirds of the maximum travel. Adjust the slack adjuster until the brake shoes make contact with the drum. It may be necessary to jack the tire off of the ground and rotate the tire to feel contact with the drum. Once contact is felt back off the adjuster bolt on the slack adjuster 1/2 turn or until wheel turns freely without drag. Repeat the same process for the remainder of the brakes.

## 8.2.6 Wheels and Tires

### Wheel Torque

BOLT/STUD SIZE	SOCKET SIZE	PRESS FORMED WHEEL CENTER	BOLT TYPE	HEAVY DUTY WHEEL CENTER
3/4	1-1/8 / 1-1/2	NA	Flange Nut	378 ft lbs

### 720/865 Spreader W/Brakes Tire Wheel Torque

- Clean adjoining surfaces.
- Start nuts to bring wheel and brake drum flush to hub mounting surface.
- Avoid brake drum and/or wheel binding on hub.
- Install remaining wheel nuts. Torque to 50 ft-lbs. Then re-torque to required full torque.
- Re-torque wheel nuts after 50-100 miles.
- Check wheel nut torque every 10,000 miles and re-torque as necessary.



**CAUTION**

THESE INSTRUCTIONS ARE NOT COMPLETE. READ AND FOLLOW ALL PROCEDURES IN USER'S GUIDE TO WHEELS AND RIMS BY "THE MAINTENANCE COUNCIL" #T0410. IF YOU HAVE QUESTIONS CALL WALTHER ENG. & MFG. COMPANY INC. (937) 743-8125.

### Tire Inflation

TIRE SIZE	PLY	PSI
21.5L-16.1	18	44
28L-26	16	28
425/65 x 22.5	used truck	75
550/45 x 22.5	20	58
600/50 x 22.5	18	70

### 8.3 Brakes (Optional)

## IMPORTANT

Before using any equipment equipped with brakes the operation of the brakes should be checked. Brake linings should be replaced before the rivets or support plates come in contact with the wheel drum. Perform all necessary maintenance before using equipment.



## WARNING

Any corrosive materials (salt, saltwater, fertilizers, etc.) are destructive to metals. To properly maintain the life of the brake system, flushing with a high pressure water hose is recommended. After washing, be sure to grease actuator bearings (slides) and oil all moving parts. At the end of season, it is recommended that the brake drums be removed and cleaned inside. Repack wheel bearings being careful not to contaminate the brake system with grease. Readjust the brakes.

Check and test the brakes before intensive use and every three months thereafter. Check the brake wear and the clearance between the brake linings and the drum visually. It is probable that the linings are worn when the brake travel has increased significantly. If the linings are worn to the minimum thickness replace with new.

Check that the brakes are clean and clean them if necessary. (865 Only: Lubricate the brake cam shaft bearings with grease zerks. To prevent grease from getting on the brake drum or linings, do not over grease.)

#### 8.3.1 720 Brake Bleeding

Before bleeding brakes fill the system with DOT 3 hydraulic brake fluid. Using a vacuum type brake bleeder (this type of brake bleeder is available at your local automotive store) follow manufacturer's directions for bleeding.

Install bleeder hose on first wheel cylinder to be bled, if tandem bleed rear axles first. Have loose end of hose submerged in a glass container of brake fluid to observe bubbling. By working the manual hand pump you will draw the air out of the brake lines filling it with fluid.

By loosening the bleeder screw located in the wheel cylinder one turn, the system is open to the atmosphere through the passage drilled in the screw. When the bubbling stops in the glass container close the bleeder screw securely. Follow the same procedure at each wheel cylinder being sure to maintain the master cylinder fluid level at least one half full of brake fluid. After all wheels are bled fill the master cylinder to 3/8" below the full level.

### 8.4 STORING THE SPREADER

LOCKOUT / TAGOUT the machine / spreader when preparing for storage. (See 5.3 SHUTOFF & LOCKOUT POWER on page 20.)

Sometimes it may be necessary to store your Meyer spreader for an extended period of time. Below is a list of items to perform before storage.

- Fully empty the material from the spreader. (See 7.0 OPERATION on page 29.)
- Thoroughly clean the equipment.
- Lubricate the equipment. (See 8.1 LUBRICATION on page 35.)
- Apply oil to the rear gate and inspect all spreader components for wear or damage. Repair and replace components as necessary.
- Make appropriate adjustments to equipment. (See 8.2 ADJUSTMENTS on page 40.)
- Place hydraulic hoses and 7-pin connector in the storage brackets (if equipped).
- Inspect the hitch and all welds on the equipment for wear and damage.
- Check for loose hardware, missing guards, or damaged parts.

- Check for damaged or missing safety signs (decals); replace if necessary.
- Replace worn or damaged parts.
- Touch up all paint nicks and scratches to prevent rusting.
- Place the equipment in a dry protected shelter.
- Place the equipment flat on the ground.

## **8.5 RETURNING THE SPREADER TO SERVICE**

After the Meyer spreader has been in storage, it is necessary to follow a list of items to return the equipment to service.

- Be sure all shields and guards are in place.
- Lubricate the equipment.
- Connect to a truck (if required) and operate the truck and equipment; verify all functions operate correctly.
- Connect to a tractor (if required) and operate equipment; verify all functions operate correctly.
- Check for leaks; repair as needed.

## 9.0 PARTS REPAIR AND REPLACEMENT

### 9.1 REPLACEMENT PARTS



Before servicing this equipment, ensure that all personnel, including family members are familiar with the equipment and the safety hazards that are present, along with the safety practices that should be observed while working in this equipment.



Inspect the axles, o-beams, spindles, tires, hitches and all safety shielding, safety signs and safety lighting regularly. These parts if not watched closely, could pose potential injury or death. If any part is found in need of repair, follow the SHUTOFF & LOCKOUT POWER recommendations and have qualified personnel repair immediately.

Shutoff and lockout power before performing machine service, adjusting, maintaining, or clearing an obstruction from this machine. Refer to section 5.3 SHUTOFF & LOCKOUT POWER.

**IMPORTANT**

It is important that everyone who works on this equipment is properly trained to help ensure that they are familiar with this procedure and that they follow the steps outlined above. This manual will remind you when to Shutoff & Lockout Power.

At times, parts on this implement will become worn or damaged. Performing repairs on this implement can pose a risk of injury including death. To reduce risk, the party that will be doing the repair should be very knowledgeable of the implement and the equipment that they will be using to do the repair.

- Review the repair so that a plan can be put together and the proper equipment can be used to repair this implement safely and correctly.
- Personal safety equipment may include items such as safety glasses, protective footwear, hearing protection, gloves, fire retardant clothes, etc.



#### Crushing Hazard

Do Not work under suspended or blocked parts.



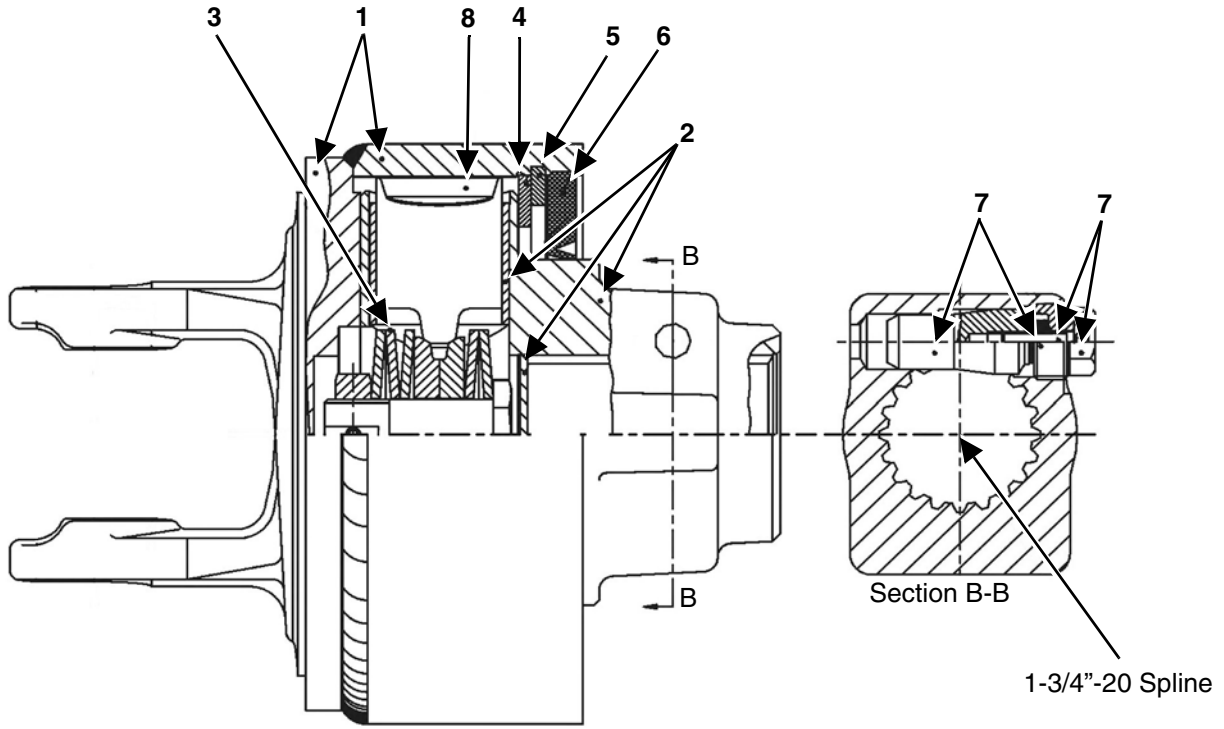
- The use of hoists and/or supports may be needed to handle heavy components.
- If the implement is being repaired in the field, make sure the parking brake of the tractor is engaged, the implement is on solid and level ground.
- Welding and torching should be done by properly trained individuals who have proven their skills.

**IMPORTANT**

Call the factory for any additional details you may need to perform the repair. Some parts may come with instruction sheets to assist in the repair. Instructions sheets may be provided with your parts order. Otherwise, if available, instruction sheets can be e-mailed or faxed for you convenience. Call Meyer Manufacturing Corporation toll free at 1-800-325-9103 or email [sales@meyermfg.com](mailto:sales@meyermfg.com).

**NOTE:** Be environmentally friendly and dispose of any waste materials properly. Recycle when appropriate.

# CUTOUT CLUTCH

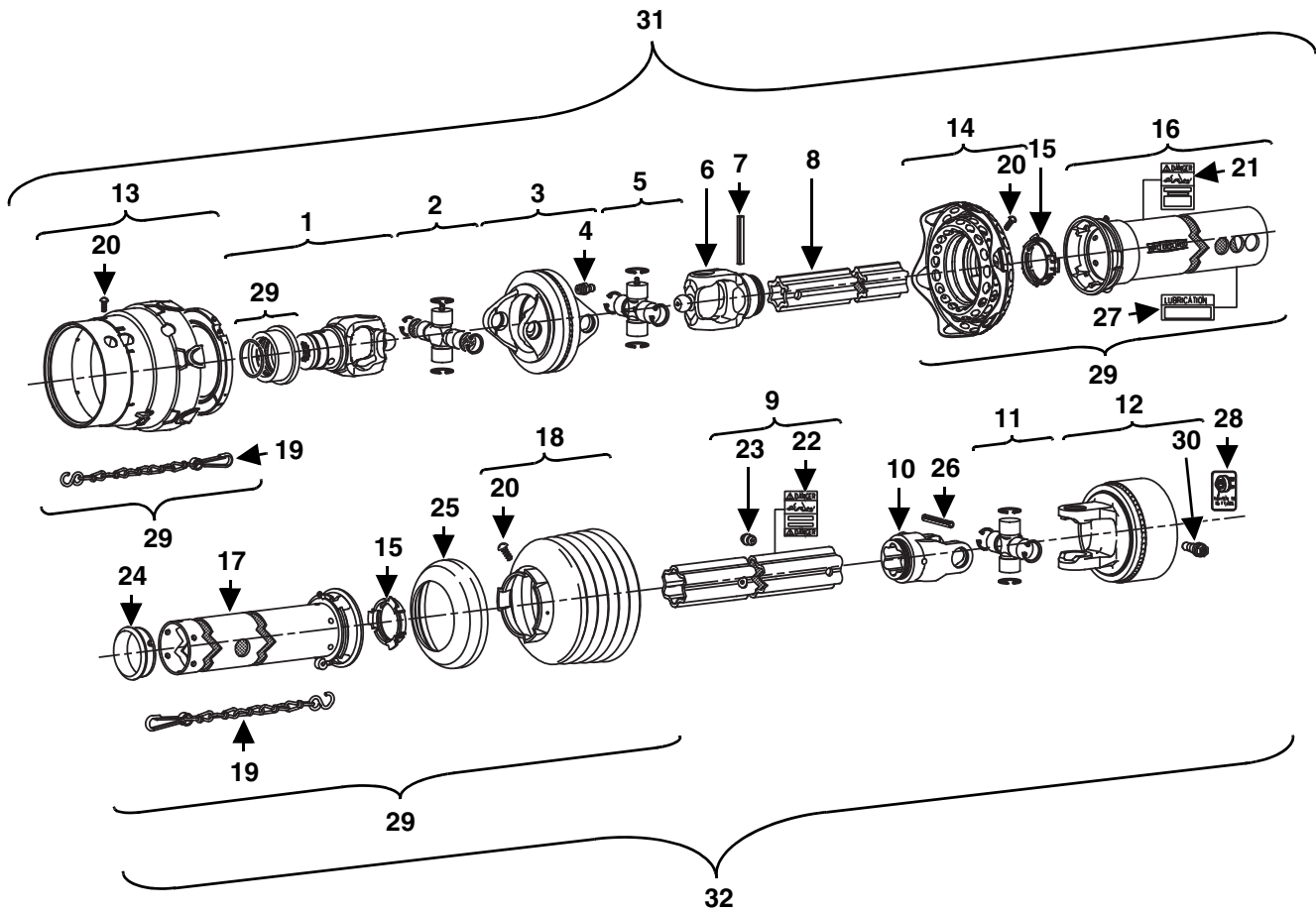


PB-0010

KEY	PART NUMBER	QTY	DESCRIPTION
0	918-0511-2-2	1	Cut-Out Clutch
1	618-0202-2-3-1	1	Housing
2	618-0003-2-1	1	Hub
3	918-0308-2-2-3	1	Spring Pack
4	918-0208-2-3-5	1	Washer
5	918-0208-2-3-6	1	Retaining Ring
6	918-0208-2-3-7	1	Sealing Ring
7	918-0410-2-1-1	1	Clamp Cone Locking Pin
8	918-0308-2-2-4	2	Cam
NS	918-0208-2-3-9	2	Bushing-In Item #2
NS	918-0208-2-3-11	1	Shim Kit

# PTO DRIVE SHAFT

1-3/4" 20 SPLINE WITHOUT OVERRUNNING CLUTCH

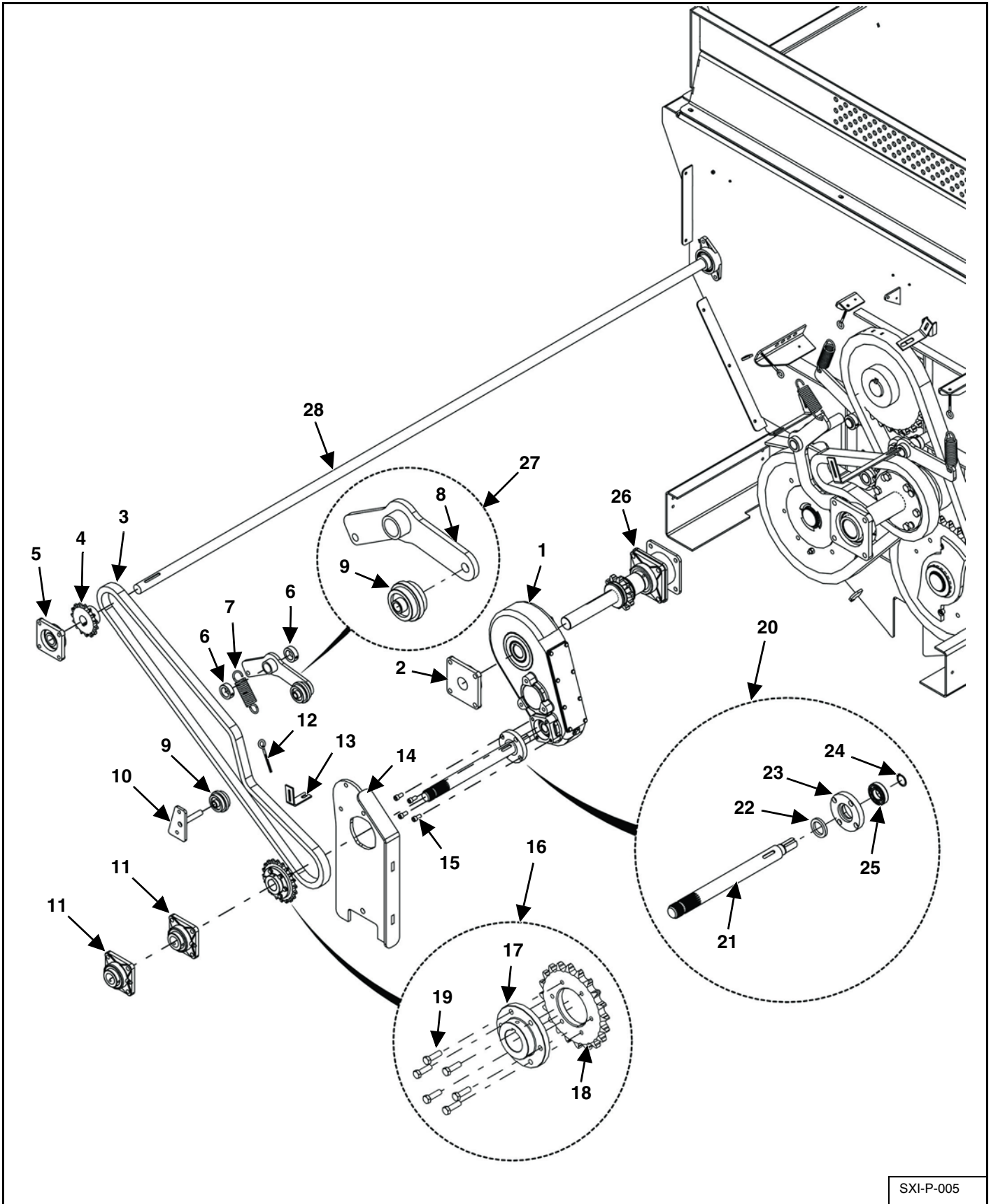


SXI-P-011



KEY	PART NUMBER	QTY	DESCRIPTION
0	918-0511	1	1-3/8" 21 Spline Complete PTO (Standard 720)
	918-0512	1	1-3/4" 20 Spline Complete PTO (Standard 865)(Optional 720)
1	918-0511-1-1	1	1-3/8" 21 Spline Yoke (Standard 720)
	918-0512-1-1	1	1-3/4" 20 Spline Yoke (Standard 865)(Optional 720)
2	918-0511-1-2	1	Cross & Bearing Kit
3	918-0511-1-3	1	Double Yoke
4	918-0208-1-2	1	Grease Zerk
5	918-0511-1-4	1	Cross & Bearing Kit
6	918-0511-1-5	1	Inboard Yoke
7	918-0308-1-5	1	Spring Pin
8	918-0511-1-6	1	Inner Profile
9	918-0511-2-1	1	Outer Profile
10	618-0201-2-2	1	Inboard Yoke
11	618-0201-1-2	1	Cross & Bearing Kit
12	See Page 46	1	Complete Cut-Out Clutch
13	618-0202-1-11	1	CV Guard & Bearing Assembly
14	918-0212-1-5	1	Flex Net & Guard Assembly
15	918-0208-2-4	2	Bearing Ring
16	918-0511-1-7	1	Guard Tube Outer
17	918-0511-2-3	1	Guard Tube Inner
18	618-0202-2-7	1	Guard Cone
19	918-0208-2-7	2	Restraint Chain
20	918-0208-2-9	10	Screw
21	918-0208-2-8	1	Decal Outer
22	918-0208-1-10	1	Decal Inner
23	918-0208-1-12	1	Grease Zerk
24	618-0202-1-10	1	Support Bearing
25	618-0202-2-8	1	Reinforcing Collar
26	618-0202-2-5	1	Spring Pin
27	918-0308-2-6	1	Lubrication Decal
28	918-0208-2-10	1	Decal
29	918-0511-1-1-1	1	Collar Kit (Standard 720)
	918-0210-1-1-1	1	Collar Kit (Standard 865) (Optional 720)
30	918-0410-2-1-1	1	Cut-Out Clutch Lock Assembly
31	918-0511-1	1	Tractor Half Shaft (Standard 720)
	918-0512-1	1	Tractor Half Shaft (Standard 865) (Optional 720)
32	918-0511-2	1	Implement Half Shaft

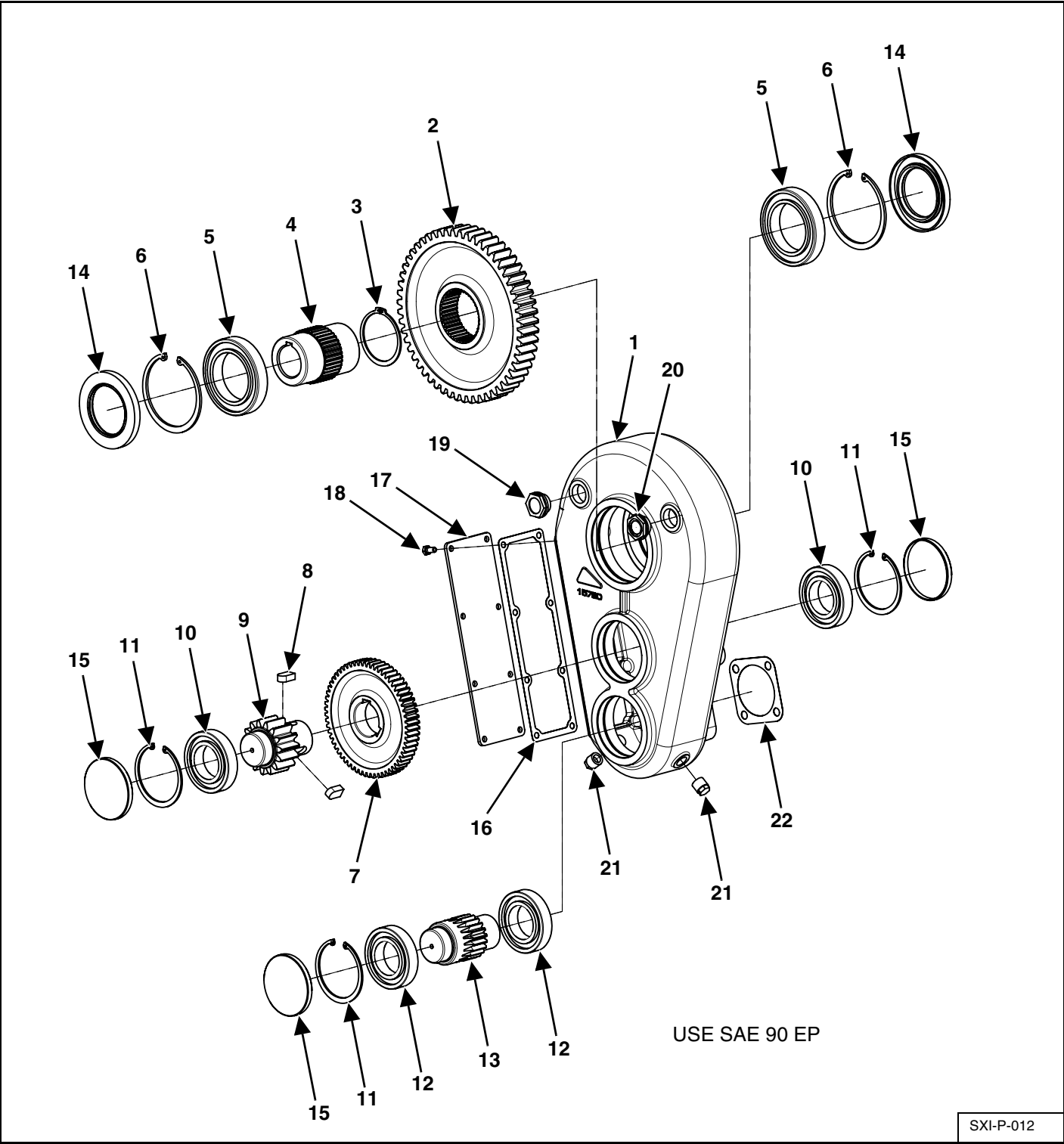
# FIRST REDUCTION AND SPINNER DRIVE



SXI-P-005

KEY	PART NUMBER	QTY	DESCRIPTION
1	See Page 52	1	Berma Front Gearbox
2	14-0031	1	4-Bolt Flange Bearing
3	111-0080-116-OR	1	#80-116 O-Ring Roller Chain Including Connector
4	910-0107	1	Sprocket Assembly With Hub, Bolts, & Washers
5	914-3602	1	4-Bolt Flange Bearing
6	921-0005	2	1-1/2" Set Collar
7	929-0501	1	Extension Spring
8	925-0525-1	1	Tightener Arm Weldment
9	912-0511	2	Chain Idler
10	925-0537	1	Chain Idler Mount Weldment
11	914-3819	2	4-Bolt Flange Bearing
12	933-3804	1	5/16-18 x 4" Eyebolt
	925-3822-6	1	2 Chain Links
13	33-8000-10	1	First Reduction Auger Chain Brush Holder
14	925-0511	1	Gearbox Torque Arm Weldment
15	831-M12-1.75-25	4	Socket Head Cap Screw
16	910-0128	1	Spinner Input Sprocket Assembly
17	910-0128-1	1	Input Sprocket Hub
18	910-0128-2	1	Split Sprocket
19	881-3816-1Z	6	3/8-16 x 1" Machine Bolt
20	914-0508	1	Input Shaft Assembly
	SXI-IBSR-KIT	1	Access Panel Kit (Prior to SN SXI17720208)
21	914-0508	1	Gearbox Drive Input Shaft Update Kit (Prior to SN SXI20720218)
	923-0539	1	Gearbox Drive Input Shaft (SN SXI20720218 & Later)
	135-3131-1.75-2	1	5/16" x 5/16" x 1-3/4" Key
	35-0026	1	3/8" x 3/8" x 1-3/4" Key
22	914-0501-3	1	Double Lip Oil Seal
23	914-0501-1	1	Gearbox Input Housing (Prior to SN SXI20720205)
	914-0508-1	1	Gearbox Input Housing (SN SXI20720205 & Later)
24	933-0503	1	35MM External Retaining Ring (Prior to SN SXI20720205)
	933-0508	1	40MM External Retaining Ring (SN SXI20720205 & Later)
25	914-0501-2	1	35MM Ball Bearing (Prior to SN SXI20720205)
	914-0508-2	1	40MM Ball Bearing (SN SXI20720205 & Later)
26	See Page 54	1	Second Reduction
27	925-0538	1	Tightener Arm Assembly
28	See Page 64	1	Spinner Front Transfer Shaft

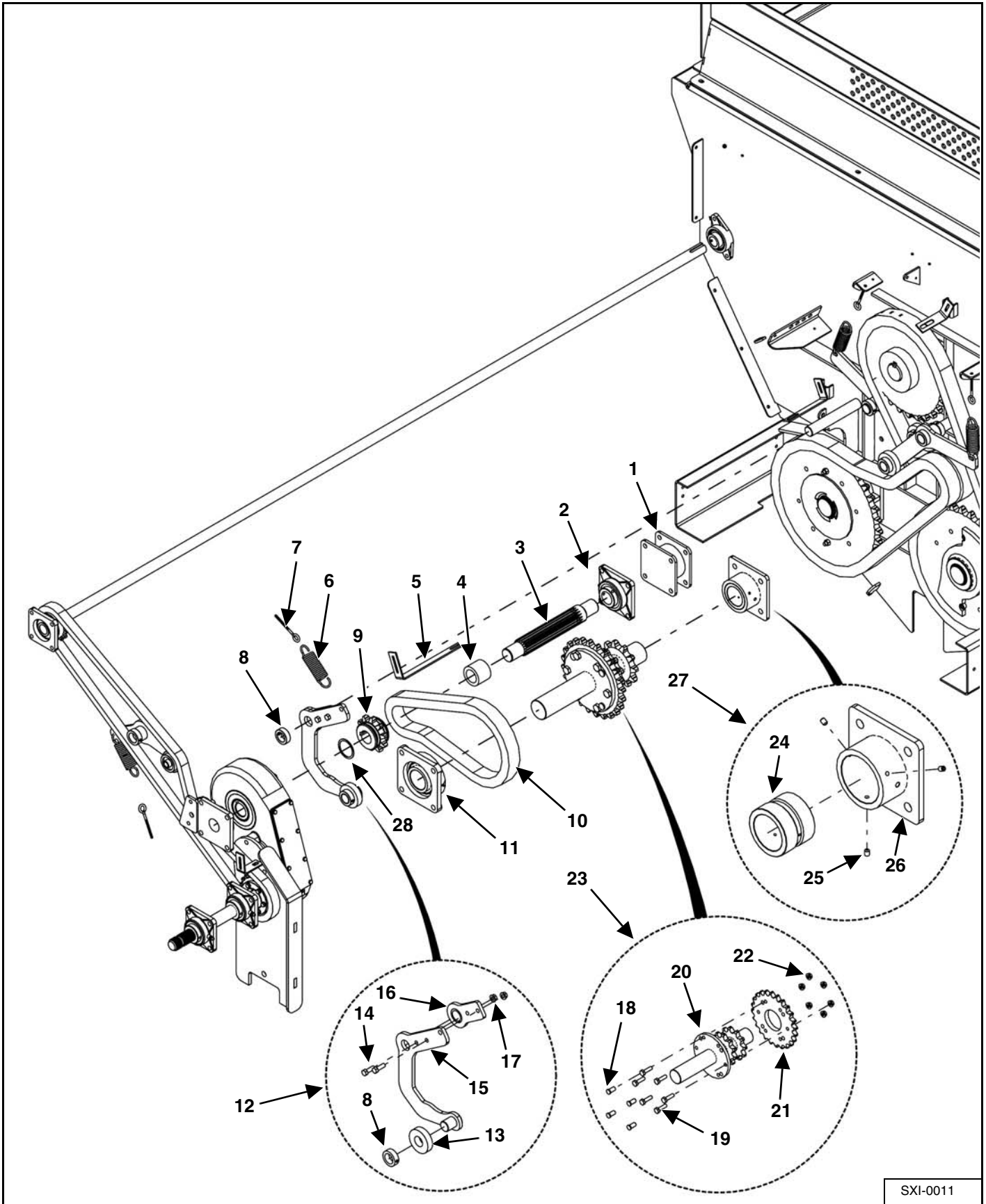
BERMA FRONT GEARBOX



SXI-P-012

KEY	PART NUMBER	QTY	DESCRIPTION
0	19-0211	1	Berma Front Gearbox (Prior to SN SXI19720201)
	19-0214	1	Berma Front Gearbox (SN SXI19720201 & Later)
1	19-0204-1	1	Housing
2	19-0204-3	1	Gear
3	19-0201-4	1	Snap Ring
4	19-0211-1	1	Hub (Prior to SN SXI19720201)
	19-0214-1	1	Hub (SN SXI19720201 & Later)
5	19-0204-4	2	Bearing
6	19-0204-5	2	Snap Ring
7	19-0204-6	1	Gear
8	19-0204-8	2	Key
9	19-0204-7	1	Pinion
10	19-0204-9	2	Bearing
11	19-0204-10	3	Snap Ring
12	19-0204-17	2	Bearing
13	19-0211-2	1	Pinion
14	19-0204-12	2	Oil Seal
15	19-0204-13	3	Plug
16	19-0204-14	1	Gasket
17	19-0204-15	1	Cover
18	619-0001-27	8	Cover Bolt
19	619-0001-20	1	Oil Breather Plug
20	619-0001-21	1	Oil Level Indicator
21	19-0204-16	2	1/2" Oil Plug
22	19-0201-15	1	Gasket

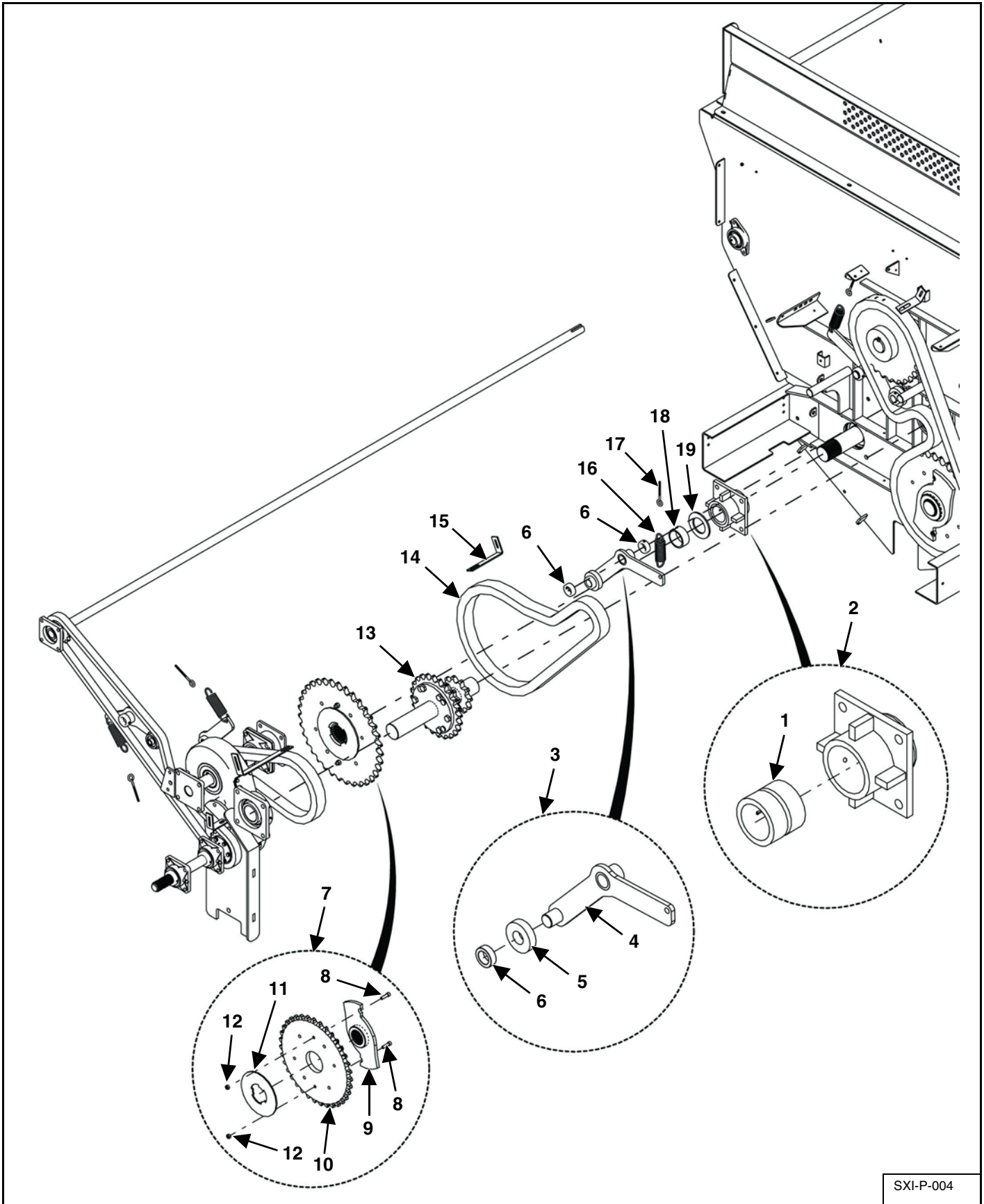
# SECOND REDUCTION DRIVE



SXI-0011

KEY	PART NUMBER	QTY	DESCRIPTION
1	901-0506	1	Bearing Standoff Weldment
2	14-0031	1	4-Bolt Flange Bearing
3	SXI-19-0214-K	1	Spline Shaft Update Kit (Prior to SN SXI19720201)
	135-5050-7.5-1	1	1/2" x 1/2" x 7-1/2" Key (Prior to SN SXI19720201)
	923-0517	1	Output Gearbox Jackshaft (SN SXI19720201 & Later)
4	912-0510	1	Chain Guide (Prior to SN SXI19720201)
	912-0512	1	Chain Guide (SN SXI19720201 & Later)
5	25-0538	1	Second Reduction Auger Chain Brush Holder
6	929-0501	1	Extension Spring
7	933-3804	1	5/16-18 x 4" Eyebolt
	925-3822-6	1	2 Chain Links
8	921-0005	2	1-1/2" Set Collar
9	910-0504-2	1	Sprocket (Prior to SN SXI19720201)
	910-0511	1	Sprocket (SN SXI19720201 & Later)
10	111-0120-38	1	#120-38 Roller Chain Including Connector (Standard 11 RPM Auger)
	111-0120-48	1	#120-48 Roller Chain Including Connector (7.2 RPM Auger)
11	914-0502	1	4-Bolt Flange Bearing
12	925-0532	1	Tightener Arm Assembly
13	912-0016-1	1	Nylon Roller
14	851-5013-1.5Z	2	1/2-13 x 1-1/2" Machine Bolt
15	925-0532-1	1	Tightener Arm Weldment
16	925-0532-2	1	Chain Tightener Pivot Tube Weldment
17	810-5013-Z	2	1/2" Spin Lock Nut
18	910-0502-5	4	Sprocket Drive Pin
19	851-6311-2.25Z	6	5/8-11 x 2-1/4" Hex Head Cap Screw
20	910-0529-1	1	Jackshaft Weldment (With Studs)
21	910-0502-9	1	Split Sprocket (Standard 11 RPM Auger)
	910-0502-11	1	Split Sprocket (7.2 RPM Auger)
22	810-6311-Z	6	5/8" Spin Lock Nut
23	910-0529	1	Jackshaft Sprocket Assembly (Comes With Standard RPM Auger Split Sprocket)
24	914-3824	1	Jackshaft Bearing
25	827-3816-.5	3	3/8-16 x 1/2" Knurled Set Screw
26	914-0503-1	1	Jackshaft Bearing Weldment
27	914-0503	1	Jackshaft Bearing Assembly
28	925-0528	1	Sprocket Spacer (Prior to SN SXI19720201)
	925-0551	1	Sprocket Spacer (SN SXI19720201 & Later)

# FINAL REDUCTION, RH AUGER DRIVE

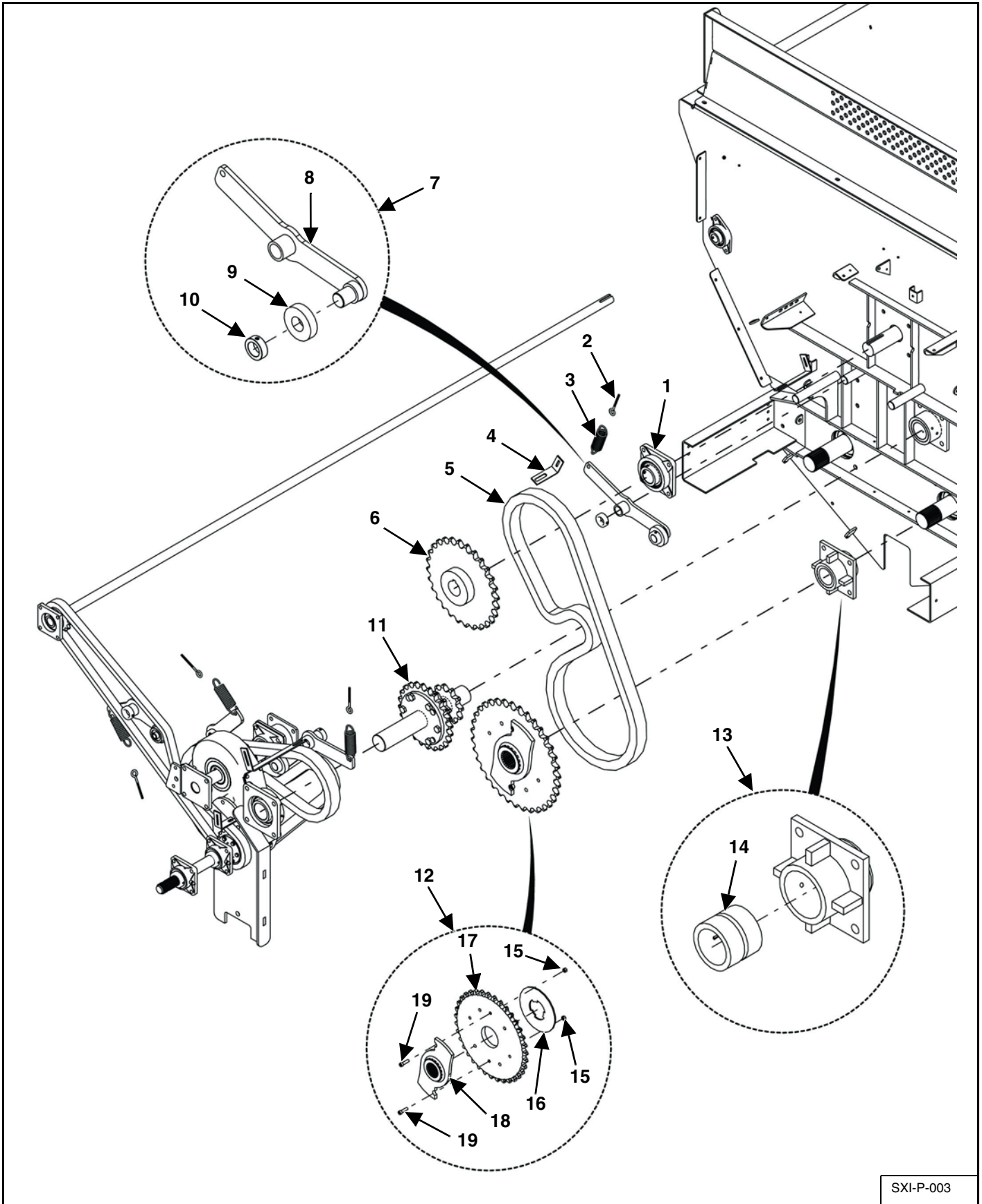


SXI-P-004



KEY	PART NUMBER	QTY	DESCRIPTION
1	913-3701	1	Nylon Bushing
2	925-3766	1	Front Auger Bushing Assembly
3	925-0530	1	Right Auger Tightener Arm Assembly
4	925-0530-1	1	Right Auger Tightener Arm Weldment
5	912-0016-1	1	Nylon Roller
6	921-0005	3	1-1/2" Set Collar
7	910-0100	1	Shear Sprocket Welded Assembly
8	831-5618-1.50-SL	2	9/16-18 x 1-1/2" Socket Head Screw (Standard Protection)
	831-6318-1.50	2	5/8-18 x 1-1/2" Socket Head Screw (Least Protection)
9	910-0100-1	1	Shear Plate & Splined Hub Welded Assembly
10	910-0100-3	1	Shear Sprocket
11	910-0100-2	1	Shear Washer
12	884-5618	2	9/16-18 Top Lock Nut (Standard Protection)
	884-6318	2	5/8-18 Top Lock Nut (Least Protection)
13	See Page 54	1	Jackshaft Sprocket Assembly
14	111-0140-54	1	#140-54 Roller Chain Including Connector
15	33-8000-7	1	Auger Chain Brush Holder
16	929-0501	1	Extension Spring
17	933-3804	1	5/16-18 x 4" Eyebolt
	925-3822-6	1	2 Chain Links
18	933-0504	1	Right Auger Sprocket Spacer
19	933-3704	1	Front Auger Washer

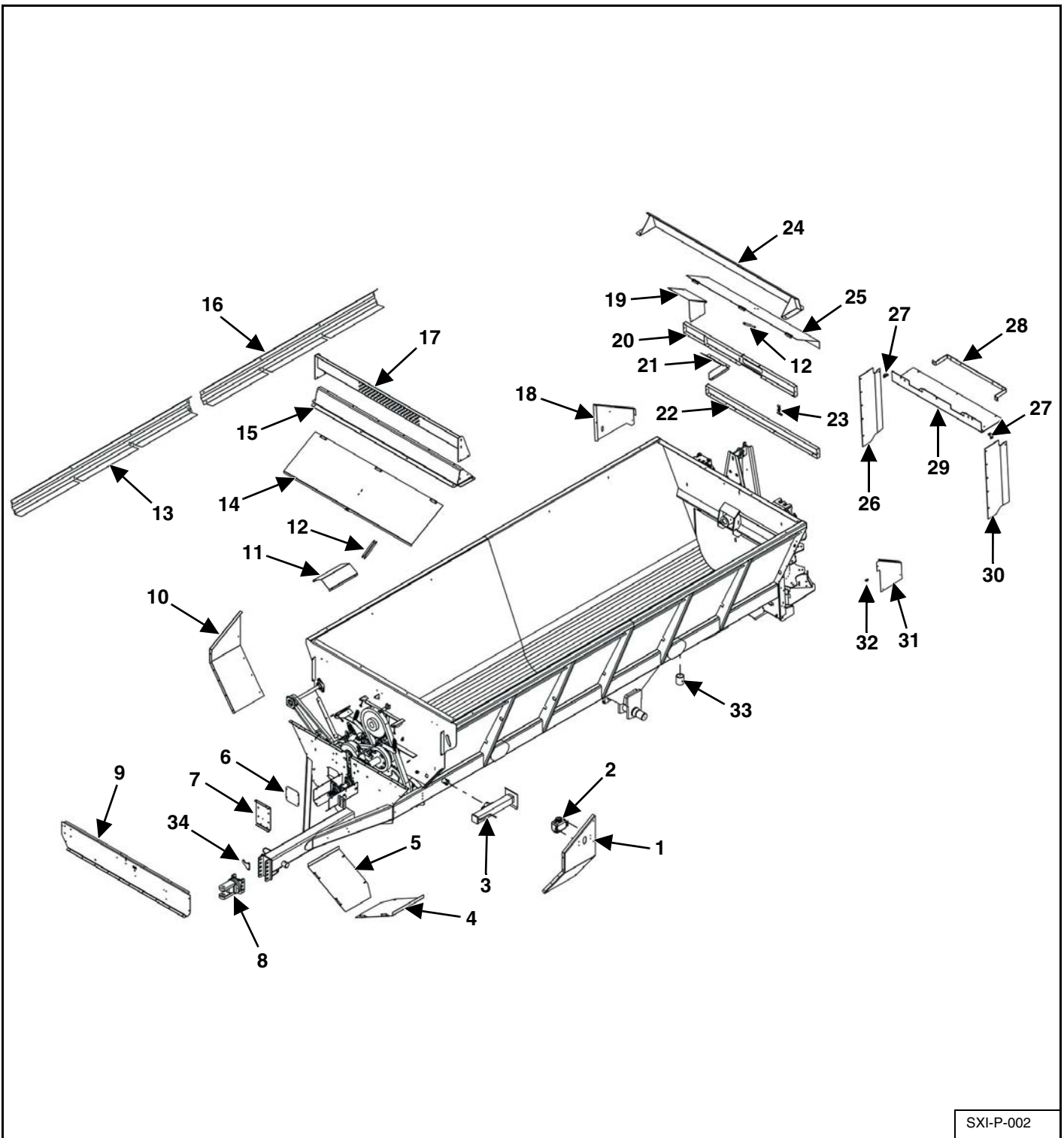
# FINAL REDUCTION, LH AUGER & THIRD AUGER DRIVE



SXI-P-003

KEY	PART NUMBER	QTY	DESCRIPTION
1	914-3811	1	4-Bolt Flange Bearing
2	933-3804	1	5/16-18 x 4" Eyebolt
	925-3822-6	1	2 Chain Links
3	929-0501	1	Extension Spring
4	952-0001-3	1	Left Auger Chain Brush Holder
5	111-0140-77	1	#140-77 Roller Chain Including Connector & Offset
6	910-0087	1	Third Auger Sprocket
7	925-0529	1	Left Auger Chain Tightener Assembly
8	925-0529-1	1	Left Auger Chain Tightener Weldment
9	912-0016-1	1	Nylon Roller
10	921-0005	2	1-1/2" Set Collar
11	See Page 54	1	Jackshaft Sprocket Assembly
12	910-0100	1	Shear Sprocket Welded Assembly
13	925-3766	1	Front Auger Bushing Assembly
14	913-3701	1	Nylon Bushing
15	884-5618	2	9/16-18 Top Lock Nut (Standard Protection)
	884-6318	2	5/8-18 Top Lock Nut (Least Protection)
16	910-0100-2	1	Shear Washer
17	910-0100-3	1	Shear Sprocket
18	910-0100-1	1	Shear Plate & Splined Hub Welded Assembly
19	831-5618-1.50-SL	2	9/16-18 x 1-1/2" Socket Head Screw (Standard Protection)
	831-6318-1.50	2	5/8-18 x 1-1/2" Socket Head Screw (Least Protection)

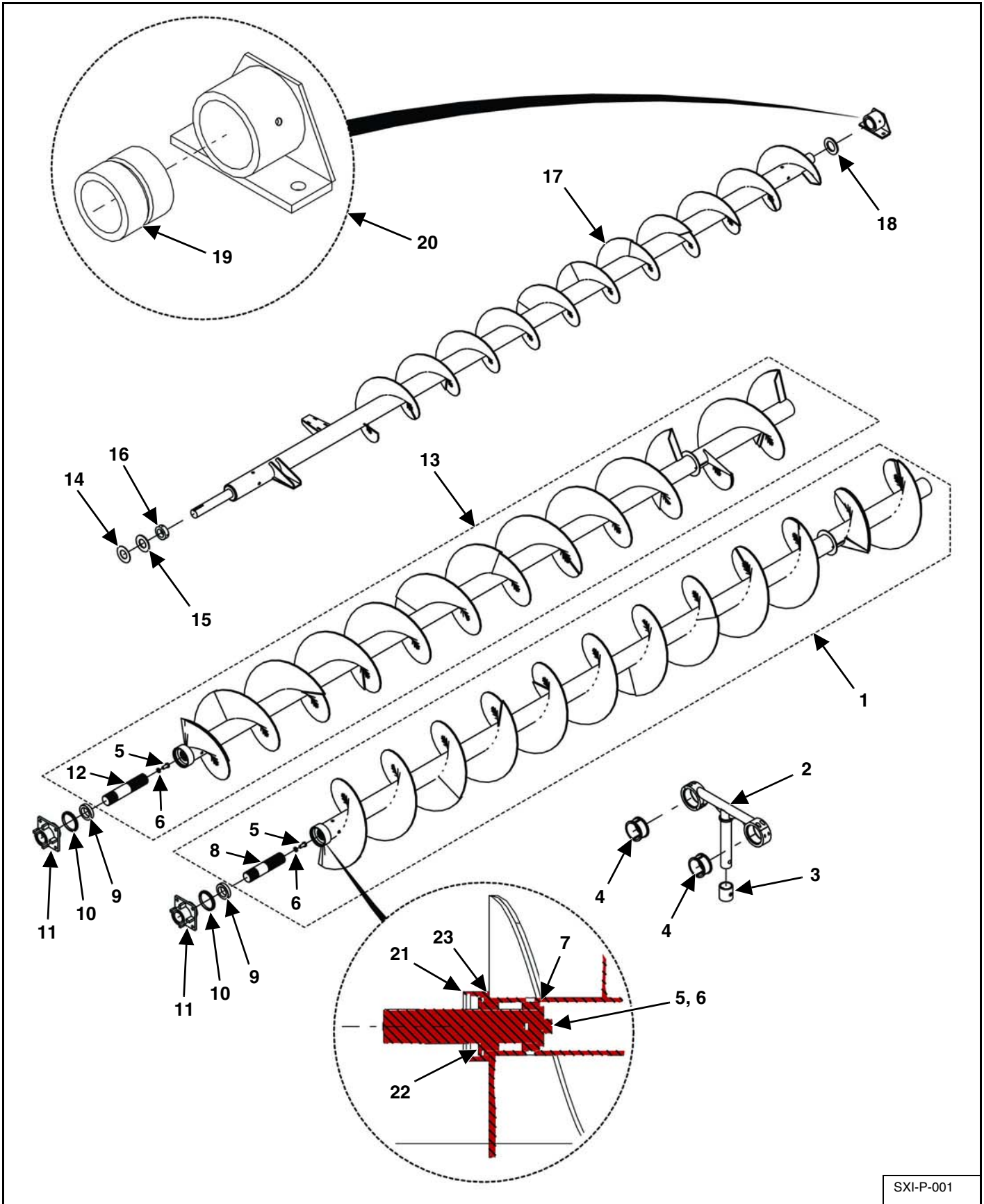
# BODY & SHIELDS



SXI-P-002

KEY	PART NUMBER	QTY	DESCRIPTION
1	924-0523	1	Left Front Panel
2	See Page 86	1	2 Quart Tank
3	956-3804	1	Jack
4	925-0518	1	Left Side Panel Assembly
	924-0518-1	1	Left Side Panel
	924-0515-2	2	Stainless Steel Shield Hinge
	802T-2520-.63Z	4	1/4-20 x 5/8" Truss Head Machine Screw Zink
	815-2520-Z	4	1/4-20 Nylon Insert Lock Nut
5	924-0504	1	Right Side Panel Assembly
	924-0504-1	1	Right Side Panel
	924-0515-2	2	Stainless Steel Shield Hinge
	802T-2520-.63Z	4	1/4-20 x 5/8" Truss Head Machine Screw Zink
	815-2520-Z	4	1/4-20 Nylon Insert Lock Nut
6	924-0519	1	Motor Cover
7	924-0502	1	Input Panel Cover
8	75-2024	1	Swivel Clevis Weldment With Hardware
	75-2028-KIT	1	Bull Pull Hitch With Hardware (Optional)
	75-2027	1	Hitch Assembly (720 With Scales Only)
	75-2023	1	Clevis Weldment (720 With Scales Only)
9	924-0514	1	Upper Input Panel Weldment
10	924-0522	1	Right Front Panel
11	924-0501	1	Input Shaft Cover
12	955-3703	3	Gas Spring
13	924-0524	1	Front Transfer Shield
14	924-0515	1	Front Top Shield Assembly
	924-0515-1	1	Front Top Shield
	924-0515-2	3	Stainless Steel Shield Hinge
	802T-2520-.63SS	6	1/4-20 x 5/8" Truss Head Machine Screw Stainless Steel
	815-2520-Z	6	1/4-20 Nylon Insert Lock Nut
15	901-0529	1	Splash Guard Weldment
16	924-0526	1	Rear Transfer Shield (720)
	924-0525	1	Rear Transfer Shield (865)
17	901-0530	1	Rock Guard Weldment
18	924-0508	1	Rear Shield End Cap (Prior to SN SXI17720214)
	924-0530	1	Rear Shield End Cap (SN SXI17720214 & Later)
19	924-0512	1	Rear Shield (Prior to SN SXI17720214)
	924-0531	1	Rear Shield (SN SXI17720214 & Later)
20	924-0505	1	Rear Shield Upper Channel Weldment
21	924-0510	1	Rear Shield Weldment
22	924-0506	1	Rear Shield Channel Weldment
23	32-0027-2	2	Rubber T-Latch With End Piece
24	901-3769	1	Splash Guard Welded Assembly
25	924-0511	1	Rear Shield Assembly
	924-0511-1	1	Rear Shield
	924-0515-2	3	Stainless Steel Shield Hinge
	802T-2520-.63SS	6	1/4-20 x 5/8" Truss Head Machine Screw Stainless Steel
	810-2520-Z	6	1/4-20 Nylon Insert Lock Nut
26	925-0520-3	1	Right Material Guide (Prior to SN SXI17720214)
	925-0520-4	1	Right Material Guide (SN SXI17720214 & Later)
27	925-0520-2	2	Rear Shield Mount Tab
28	925-0506	1	Gearbox Strap
29	925-0503	1	Spinner Top Shield
30	925-0520-1	1	Left Material Guide (Prior to SN SXI17720214)
	925-0520-5	1	Left Material Guide (SN SXI17720214 & Later)
31	924-0507	1	Rear Shield End Cap
32	925-0505	1	Rear Shield Mount Tab
33	See Page 62	1	Auger Hold Down Collar
34	901-0555-1	1	PTO Holder Plate

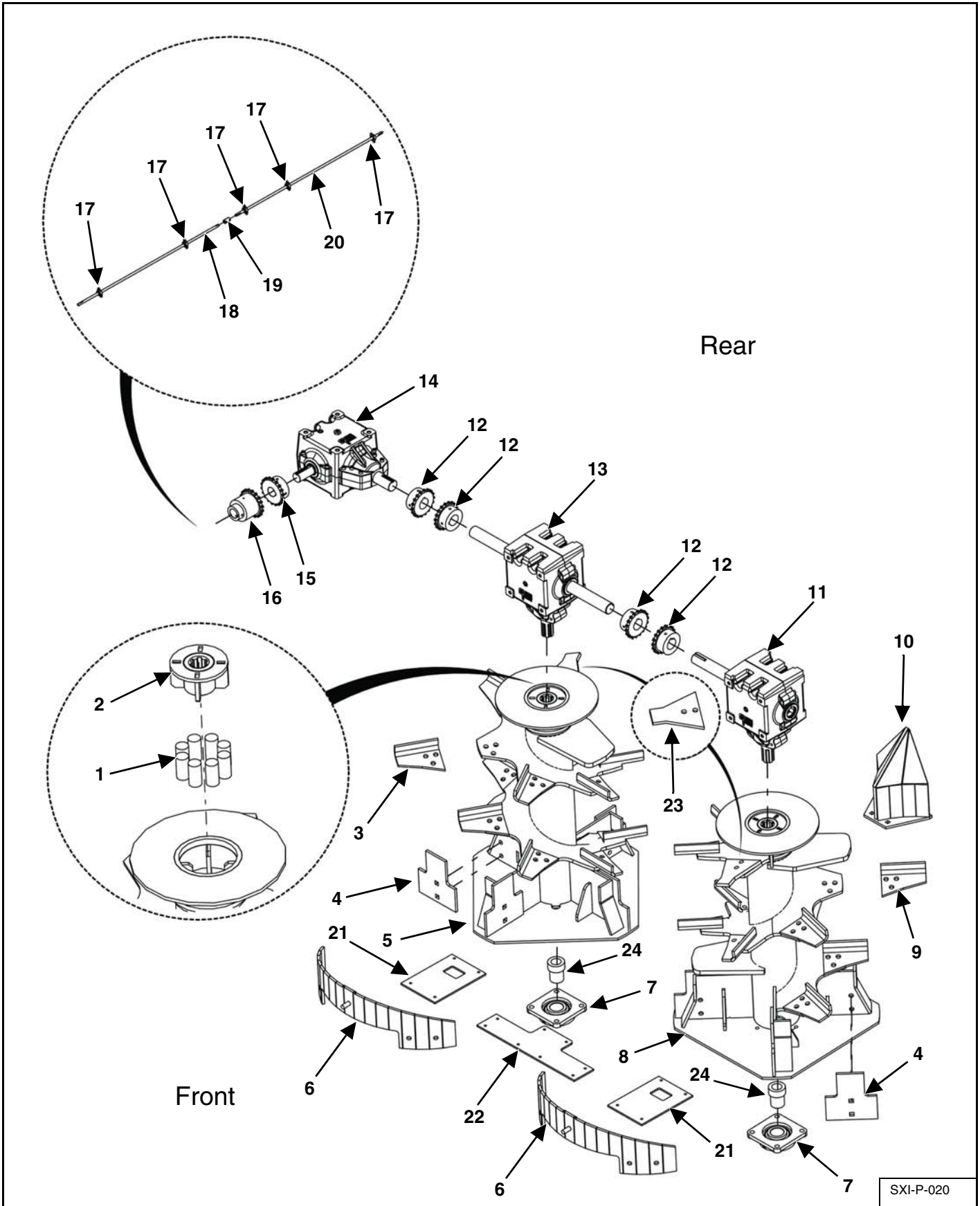
# AUGERS



SXI-P-001

KEY	PART NUMBER	QTY	DESCRIPTION
1	926-0504	1	Left Auger Weldment (720)
	926-0501	1	Left Auger Weldment (865)
2	925-3773	1	T-Post Weldment
3	925-3771-4	1	Auger Hold Down Collar
4	925-3864-1	2	Auger Ring Hold Down Nylon Bearing
5	881-7510-1.5	2	3/4-10 x 1-1/2" Machine Bolt
6	822-0075-Z	2	3/4" Split Lock Washer
7	926-3701-2-1	2	Rear Splined Sleeve With Washer Welded Assembly
8	926-3701-1	1	Splined Shaft
9	914-3812-NSM	2	Nylon Auger Thrust Bearing
10	914-3813	2	Seal
11	See Page 56 & 58	2	Front Auger Bushing Assembly
12	926-3770-9	1	Splined Shaft
13	926-0503	1	Right Auger Weldment (720)
	926-0500	1	Right Auger Weldment (865)
14	933-3801	1	Bronze Washer
15	933-3802	1	Front Auger Washer
16	933-3753	1	3rd Auger Collar
17	926-0505	1	3rd Auger Weldment (720)
	926-0502	1	3rd Auger Weldment (865)
18	933-0506	1	Nylon Washer
19	913-3701	1	Auger Nylon Bushing
20	925-3770	1	3rd Auger Bushing
21	926-3750-3	2	Front Auger Bearing Seal Collar
22	933-3704	2	Front Auger Washer
23	926-3701-2	2	Splined Sleeve

# SPINNERS & GEARBOXES

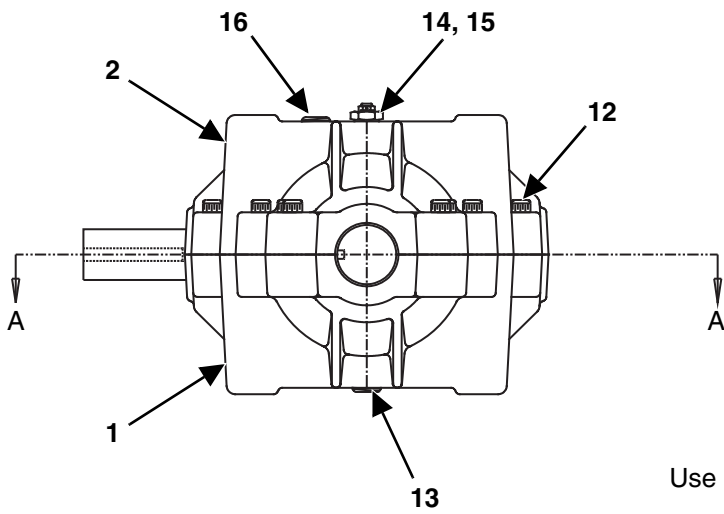
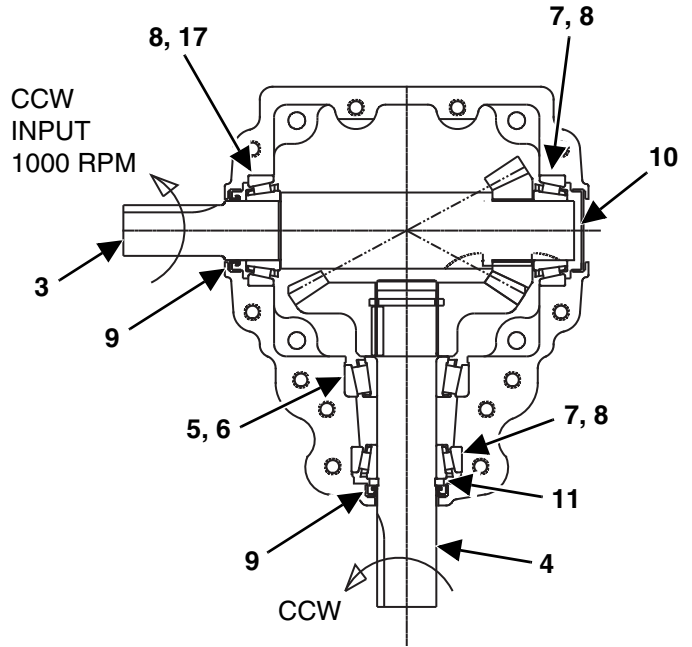
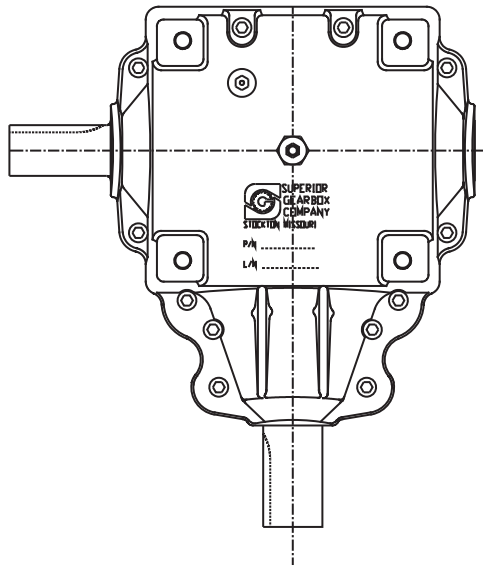


SXI-P-020



KEY	PART NUMBER	QTY	DESCRIPTION
1	637-0004	8	Polyurethane Coupling Rod
2	901-13811	2	Upper Coupling Hub Weldment
3	901-0558-8	11	Right Spinner Tooth (Prior to SN SXI17720214)
	901-0562-2	11	Right Spinner Tooth (SN SXI17720214 & Later)
	881-6311-2Z	22	5/8-11 x 2" Machine Bolt (Prior to SN SXI18720235)
	881-6311-2Z	33	5/8-11 x 2" Machine Bolt (SN SXI18720235 & Later)
	885-6311-Z	22	5/8-11 Nylon Lock Nut (Prior to SN SXI18720235)
	885-6311-Z	33	5/8-11 Nylon Lock Nut (SN SXI18720235 & Later)
4	901-0521	8	Lower Spinner Paddle (Prior to SN SXI17720213)
	901-0564	8	Lower Spinner Paddle (SN SXI17720213 & Later)
5	901-0562	1	Right Spinner Assembly (Includes Key #'s 1 & 2)
6	901-0508	2	Expeller Liner Weldment (Prior to SN SXI17720214)
	901-0556	2	Expeller Liner Weldment (SN SXI17720214 & Later)
7	914-3832	2	4-Bolt Flange Bearing
	914-3832-NG	2	Backside Bearing Seal (SN SXI18720255 & Later)
	881-6311-2Z	8	5/8-11 x 2" Machine Bolt
	885-6311-Z	8	5/8-11 Nylon Locknut
8	901-0563	1	Left Spinner Assembly (Includes Key #'s 1 & 2)
9	901-0557-8	11	Left Spinner Tooth (Prior to SN SXI17720214)
	901-0563-2	11	Left Spinner Tooth (SN SXI17720214 & Later)
	881-6311-2Z	22	5/8-11 x 2" Machine Bolt (Prior to SN SXI18720235)
	881-6311-2Z	33	5/8-11 x 2" Machine Bolt (SN SXI18720235 & Later)
	885-6311-Z	22	5/8-11 Nylon Lock Nut (Prior to SN SXI18720235)
	885-6311-Z	33	5/8-11 Nylon Lock Nut (SN SXI18720235 & Later)
10	925-0523	1	Spinner Deflector
	925-0565	1	Short Spinner Deflector (Optional For Light Material)
11	See Page 70	1	Complete Left Spinner Gearbox
12	937-0010-1	4	Chain Coupler
13	See Page 68	1	Complete Right Spinner Gearbox
14	See Page 66	1	Complete Corner Gearbox
15	937-0009-1	1	Chain Coupler
16	937-0020	1	Overrunning Clutch
17	914-3814	5	2-Bolt Flange Bearing
18	923-0506	1	Spinner Front Transfer Shaft
19	937-0004	1	1-1/2" Coupler With 4 Set Screws
20	923-0508	1	Spinner Rear Transfer Shaft (720) (Prior to SN SXI17720214)
	923-0510	1	Spinner Rear Transfer Shaft (720) (SN SXI17720214 & Later)
	923-0505	1	Spinner Rear Transfer Shaft (865) (Prior to SN SXI17720214)
	923-0512	1	Spinner Rear Transfer Shaft (865) (SN SXI17720214 & Later)
21	901-0559-2	2	Spinner Poly Liner (Prior to SN SXI17720214)
	901-0561-2	2	Spinner Poly Liner (SN SXI17720214 & Later)
22	901-0561-1	1	Spinner Poly Liner
23	625-0101-10-3	2	Top Spinner Tooth Only (Prior to SN SXI17720214)
	901-0558-6	2	Top Spinner Tooth Only (SN SXI17720214 & Later)
	881-6311-2Z	4	5/8-11 x 2" Machine Bolt
	885-6311-Z	4	5/8-11 Nylon Lock Nut (Prior to SN SXI18720235)
24	901-0562-1-6	2	Spinner Shaft Sleeve (Welded On)

# CORNER GEARBOX

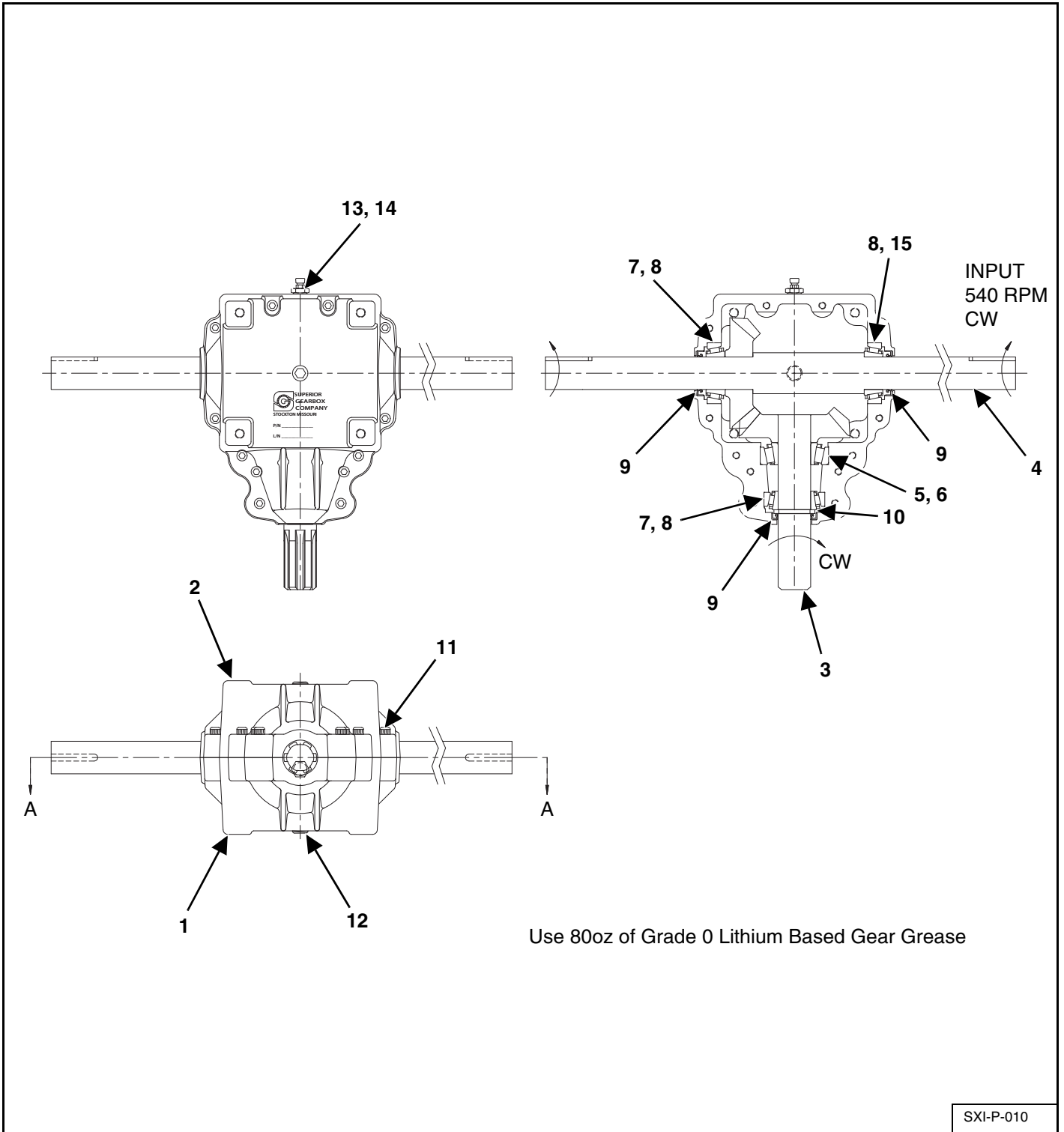


Use 85oz of SAE 80-90 EP

SXI-P-014

KEY	PART NUMBER	QTY	DESCRIPTION
0	19-0031	1	Complete Corner Gearbox
1	619-0010-1	1	Casting, Machined (Thru Holes)
2	19-0039-2	1	Casting, Machined (Tapped Holes)
3	19-0031-3	1	Cross Shaft Assembly With Gear
4	19-0031-4	1	Stub Shaft Assembly With Gear
5	19-0029-5	1	Bearing Cone
6	19-0029-6	1	Bearing Cup
7	19-0029-7	2	Bearing Cone
8	19-0029-8	3	Bearing Cup
9	19-0029-9	2	Seal
10	19-0029-10	1	Seal End Cap
11	19-0029-11	1	Retaining Ring
12	19-0029-12	12	Bolt, 3/8-16 x 2-1/4" SHCS
13	19-0029-13	1	1/2-14 NPT Plug
14	19-0023-2	1	1/2" NPT Bushing
15	19-0002-17	1	1/8-27 NPT Plug Vent
16	19-0031-5	1	Dip Stick
17	19-0029-16	1	Bearing Cone

# RIGHT SPINNER GEARBOX

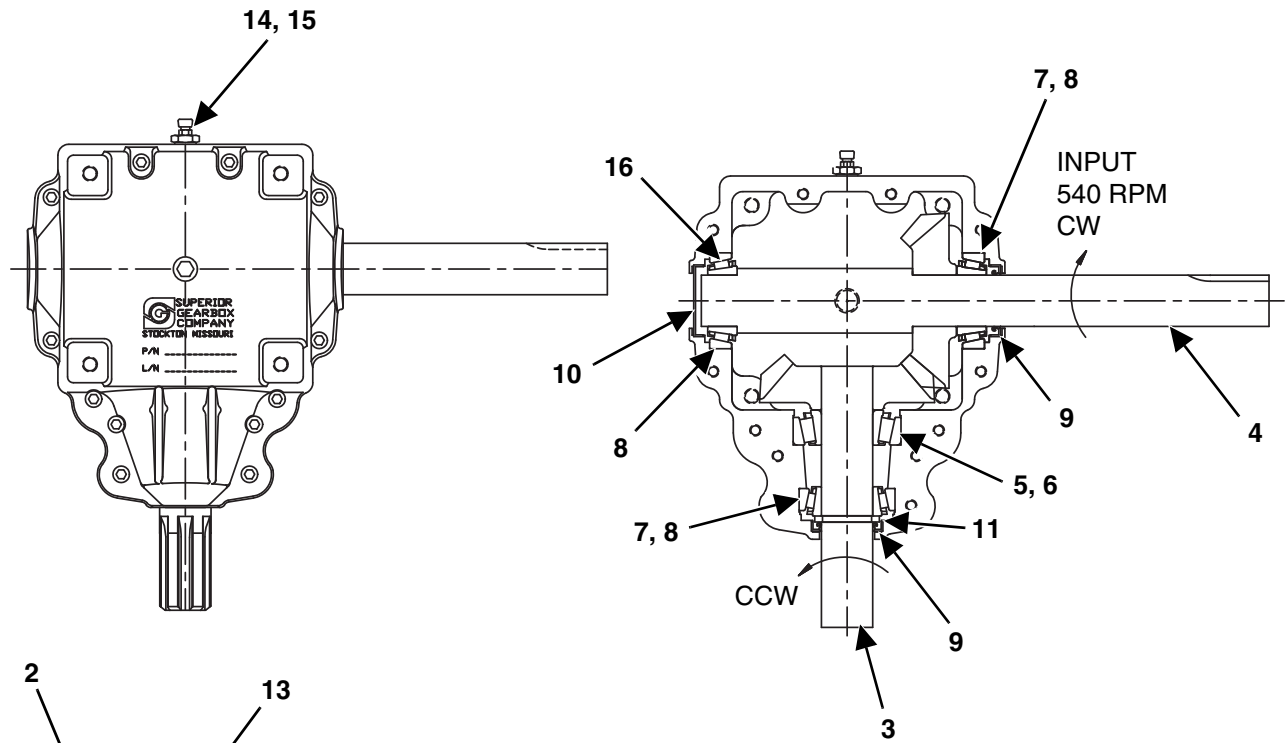


Use 80oz of Grade 0 Lithium Based Gear Grease

SXI-P-010

KEY	PART NUMBER	QTY	DESCRIPTION
0	19-0130	1	Complete Center Gearbox
1	19-0029-1	1	Casting, Machined (Tapped Holes)
2	19-0029-2	1	Casting, Machined (Thru Holes)
3	19-0029-3	1	Assembly, Pinion Shaft/Gear
4	19-0130-1	1	Assembly, Cross Shaft/Gear
5	19-0029-5	1	Bearing Cone
6	19-0029-6	1	Bearing Cup
7	19-0029-7	2	Bearing Cone
8	19-0029-8	3	Bearing Cup
9	19-0029-9	3	Seal 1-3/4"
10	19-0029-11	1	Retaining Ring
11	19-0016-11	12	Bolt, 3/8-16 x 2-1/4" SHCS
12	19-0016-5	1	1/2-14 NPT Plug
13	19-0029-14	1	1/2" NPT Bushing
14	55-0107	1	Plug, Breather
15	19-0029-16	1	Bearing Cone

# LEFT SPINNER GEARBOX

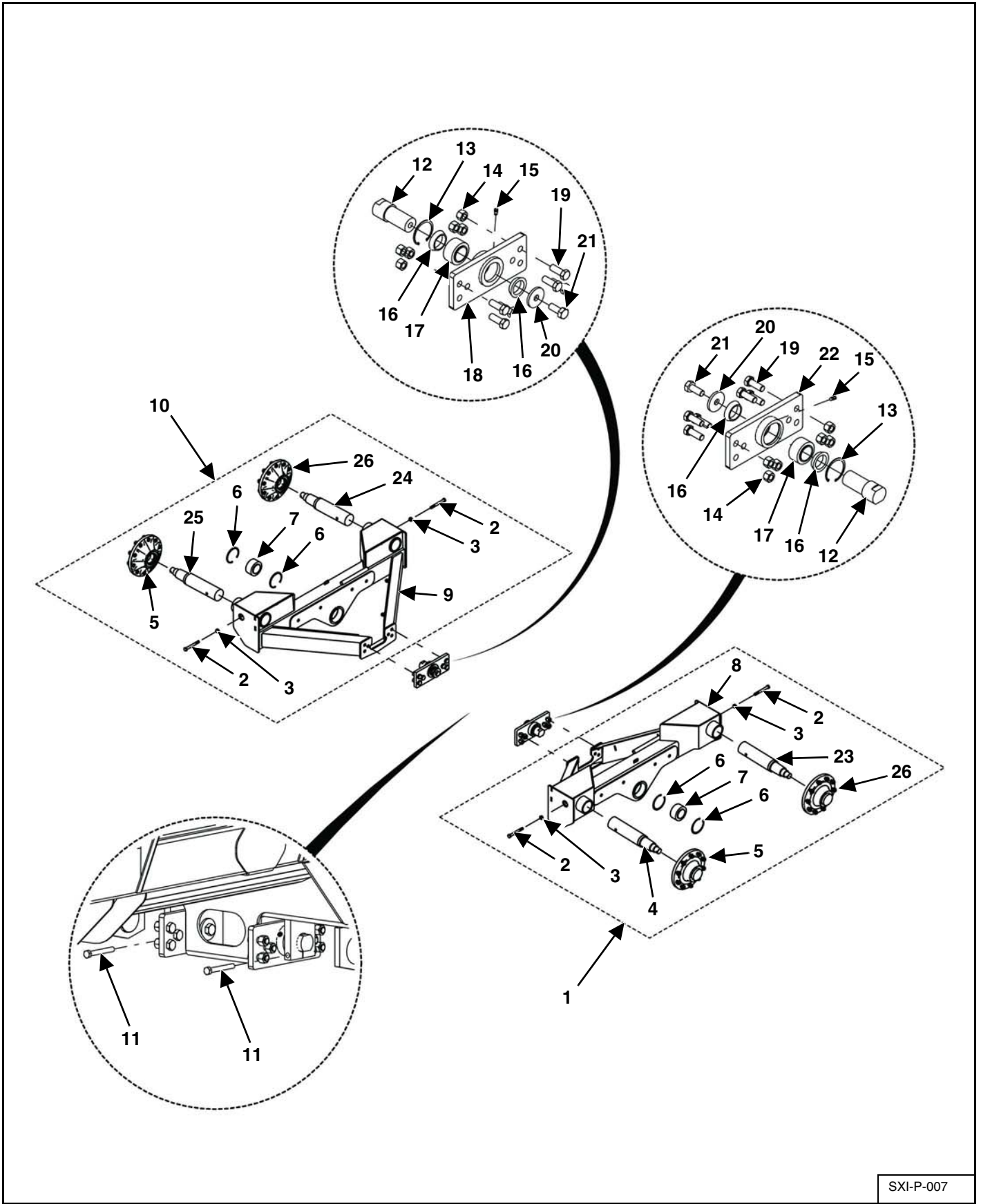


Use 80oz of Grade 0 Lithium Based Gear Grease

SXI-P-015

KEY	PART NUMBER	QTY	DESCRIPTION
0	19-0129	1	Complete Left Gearbox
1	19-0029-1	1	Casting, Machined (Tapped Holes)
2	19-0029-2	1	Casting, Machined (Thru Holes)
3	19-0029-3	1	Assembly, Pinion Shaft/Gear
4	19-0129-1	1	Assembly, Cross Shaft/Gear
5	19-0029-5	1	Bearing Cone
6	19-0029-6	1	Bearing Cup
7	19-0029-7	2	Bearing Cone
8	19-0029-8	3	Bearing Cup
9	19-0029-9	2	Seal 1-3/4"
10	19-0029-10	1	End Plug, Rubber Cover
11	19-0029-11	1	Retaining Ring
12	19-0016-11	12	Bolt, 3/8-16 x 2-1/4" SHCS
13	19-0016-5	1	1/2-14 NPT Plug
14	19-0029-14	1	1/2" NPT Bushing
15	55-0107	1	Plug, Breather
16	19-0029-16	1	Bearing Cone

# SPINDLES & O-BEAMS

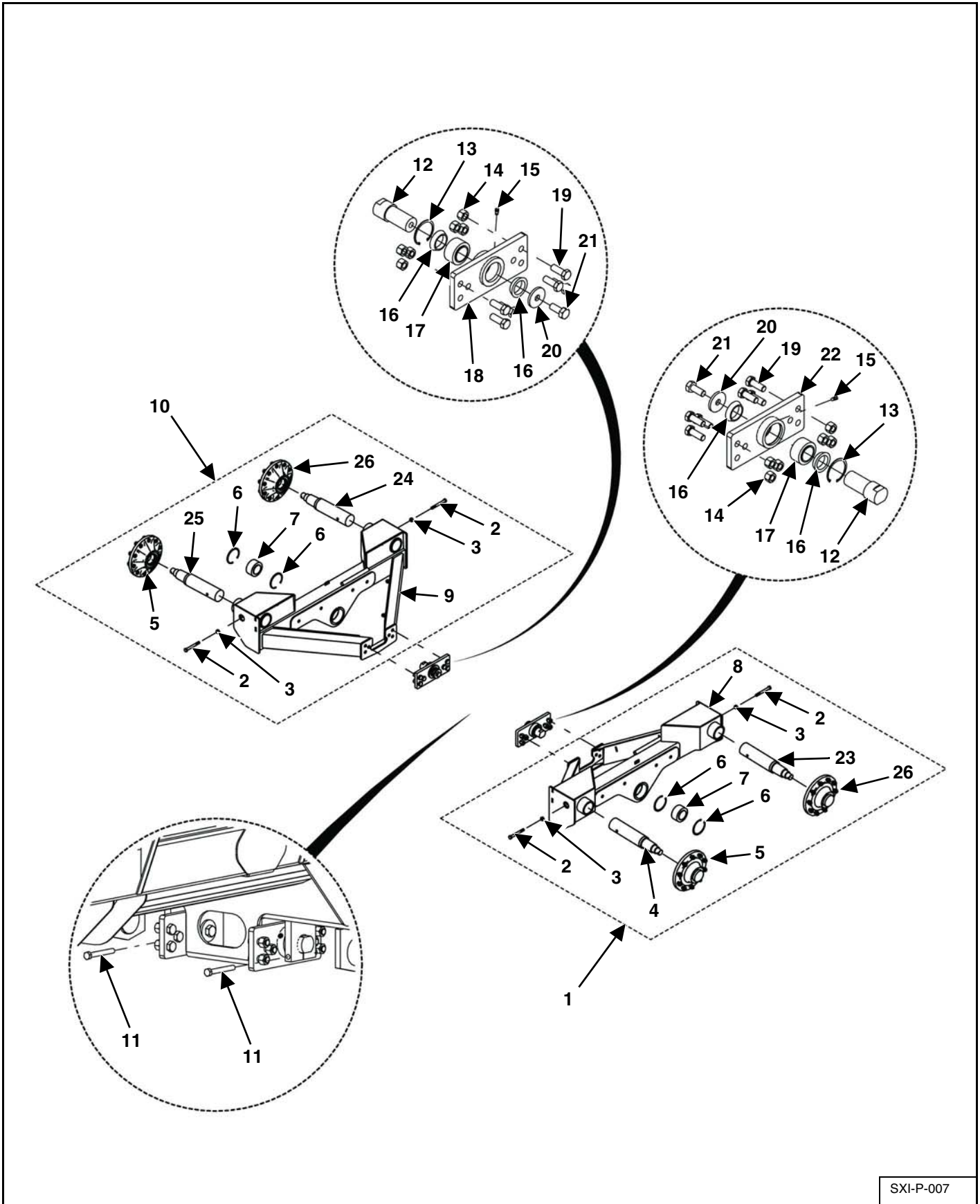


SXI-P-007



KEY	PART NUMBER	QTY	DESCRIPTION
1	901-0514	1	Left O-Beam Assembly (Standard 720) (Includes Key #'s 13, 17, & 22)
	901-0514-NH	1	Left O-Beam Assembly Without Hubs (Standard 720) (Includes Key #'s 13, 17, & 22)
	901-0514-NHS	1	Left O-Beam Assembly Without Hubs & Spindles (Standard 720) (Includes Key #'s 13, 17, & 22)
	901-0503	1	Left O-Beam Assembly (Hi-Float Package) (Standard 865) (Optional 720) (Includes Key #'s 13, 17, & 22)
	901-0503-NH	1	Left O-Beam Assembly Without Hubs (Hi-Float Package) (Standard 865) (Optional 720) (Includes Key #'s 13, 17, & 22)
	901-0503-NHS	1	Left O-Beam Assembly Without Hubs & Spindles (Hi-Float Package) (Standard 865)(Optional 720) (Includes Key #'s 13, 17, & 22)
	901-0572	1	Left O-Beam Assembly (720 With Scales Only) (Includes Key #'s 13, 17, & 22)
	901-0572-NH	1	Left O-Beam Assembly Without Hubs (720 With Scales Only) (Includes Key #'s 13, 17, & 22)
	901-0572-NHS	1	Left O-Beam Assembly Without Hubs & Spindles (720 With Scales Only) (Includes Key #'s 13, 17, & 22)
	901-0704	1	Left O-Beam Assembly (720 With Brakes Only) (Includes Key #'s 13, 17, & 22)
	901-0704-NH	1	Left O-Beam Assembly Without Hubs (720 With Brakes Only) (Includes Key #'s 13, 17, & 22)
	901-0704-NHS	1	Left O-Beam Assembly Without Hubs & Spindles (720 With Brakes Only) (Includes Key #'s 13, 17, & 22)
	901-0604	1	Left O-Beam Assembly (865 With 2 Brake System Only) (Includes Key #'s 13, 17, & 22)
	901-0604-NHS	1	Left O-Beam Assembly Without One Hub & One Spindle (865 With 2 Brake System Only) (Includes Key #'s 13, 17, & 22)
901-0606	1	Left O-Beam Assembly (865 With 4 Brake System Only) (Includes Key #'s 13, 17, & 22)	
2	851-7510-5.5Z	4	3/4-10 x 5-1/2" Machine Bolt (Standard 720) (720 With Scales)
	851-7510-6.5Z	4	3/4-10 x 6-1/2" Machine Bolt (Hi-Float Package) (Standard 865) (Optional 720) (865 With 2/4 Brake System)
3	815-7510-Z	4	3/4-10 Nylon Insert Lock Nut (Standard 720) (720 With Scales)
	814-7510-Z	4	3/4-10 Indented Lock Nut (Hi-Float Package) (Standard 865) (Optional 720) (865 With 2/4 Brake System)
4	75-0111-3	1	O-Beam Spindle (Standard 720)
	75-0118	1	O-Beam Spindle (Hi-Float Package) (Standard 865) (Optional 720) (865 With 2 Brake System)
	901-0704-2-AS	1	O-Beam Spindle (720 With 4 Brake System)
	See Page 92	1	O-Beam Weigh Bar Spindle (720 With Scales Only)
		1	Refer to Key #8 (865 4 Brake System)
5	See Page 78	2	Hub (Standard 720) (720 With Brakes) (720 With Scales)
	See Page 78	2	Hub (Hi-Float Package) (Standard 865) (Optional 720) (865 With 2 Brake System)
	975-0200	2	Hub (865 With 4 Brake System)
6	33-0057	4	Internal Snap Ring (Standard 720) (720 With Brakes) (720 With Scales)
	33-0058	4	Internal Snap Ring (Hi-Float Package) (Standard 865) (Optional 720) (865 With 2/4 Brake System)
7	914-3822	2	Sealed Spherical Bearing (Standard 720) (720 With Brakes) (720 With Scales)
	114-VM-0003	2	Sealed Spherical Bearing (Hi-Float Package) (Standard 865) (Optional 720) (865 With 2/4 Brake System)

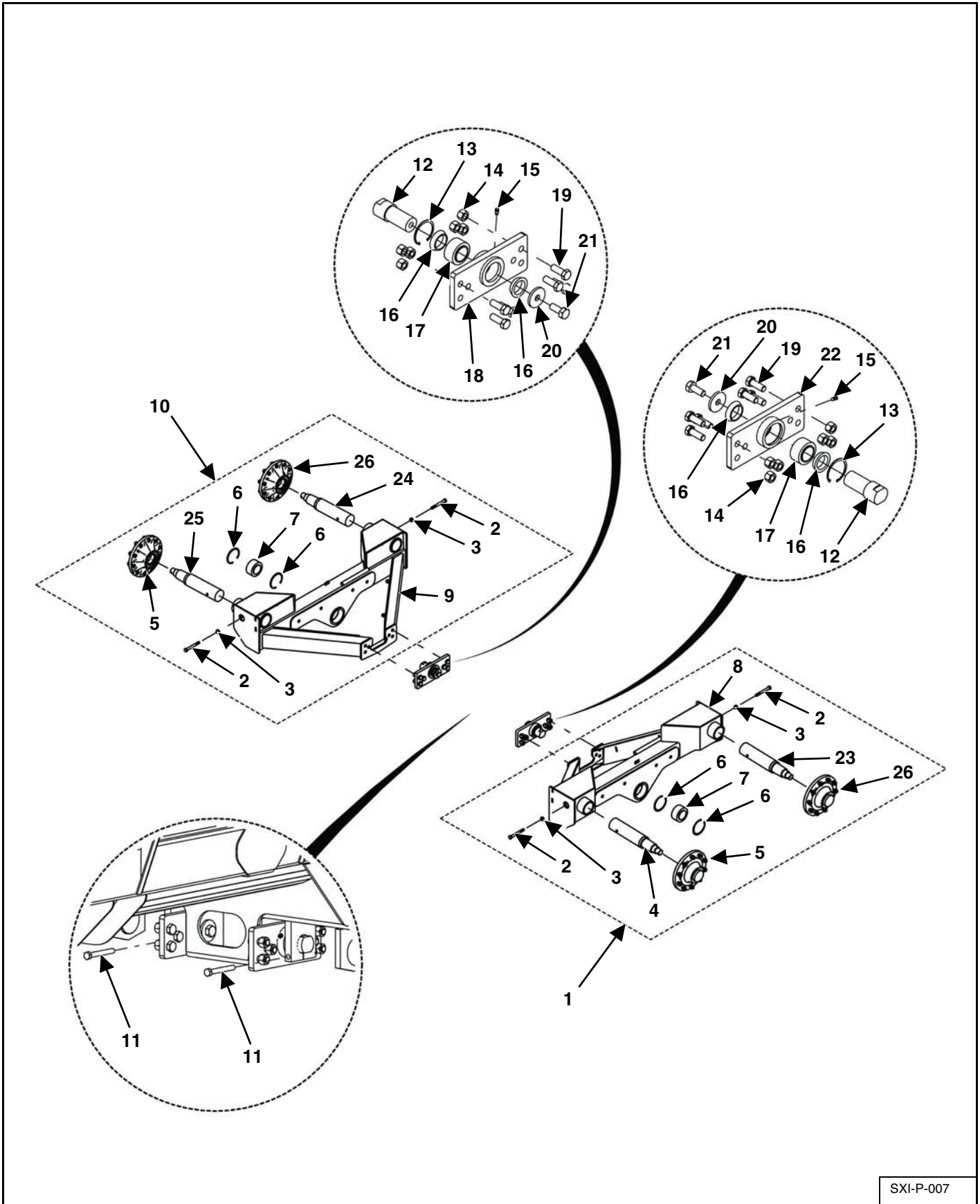
SPINDLES & O-BEAMS (CONT'D)



SXI-P-007

KEY	PART NUMBER	QTY	DESCRIPTION
8	901-0514-1	1	Left O-Beam Weldment (Standard 720)
	901-0503-1	1	Left O-Beam Weldment (Hi-Float Package) (Standard 865) (Optional 720)
	901-0704-1	1	Left O-Beam Weldment (720 With 4 Brake System)
	901-0572-1	1	Left O-Beam Weldment (720 With Scales Only)
	901-0604-1	1	Left O-Beam Weldment (865 With 4 Brake System Only)
	901-0606-1	1	Left O-Beam Weldment (865 With 4 Brake System Only)
9	901-0513-1	1	Right O-Beam Weldment (Standard 720)
	901-0502-1	1	Right O-Beam Weldment (Hi-Float Package) (Standard 865)(Optional 720)
	901-0705-1	1	Right O-Beam Weldment (720 With 4 Brake System)
	901-0573-1	1	Right O-Beam Weldment (720 With Scales Only)
	901-0605-1	1	Right O-Beam Weldment (865 With 2 Brake System Only)
	901-0607-1	1	Right O-Beam Weldment (865 With 4 Brake System Only)
10	901-0513	1	Right O-Beam Assembly (Standard 720) (Includes Key #'s 13, 17, & 18)
	901-0513-NH	1	Right O-Beam Assembly Without Hubs (Standard 720) (Includes Key #'s 13, 17, & 18)
	901-0513-NHS	1	Right O-Beam Assembly Without Hubs & Spindles (Standard 720) (Includes Key #'s 13, 17, & 18)
	901-0502	1	Right O-Beam Assembly (Hi-Float Package) (Standard 865) (Optional 720) (Includes Key #'s 13, 17, & 18)
	901-0502-NH	1	Right O-Beam Assembly Without Hubs (Hi-Float Package) (Standard 865) (Optional 720) (Includes Key #'s 13, 17, & 18)
	901-0502-NHS	1	Right O-Beam Assembly Without Hubs & Spindles (Hi-Float Package) (Standard 865) (Optional 720) (Includes Key #'s 13, 17, & 18)
	901-0573	1	Right O-Beam Assembly (720 With Scales Only) (Includes Key #'s 13, 17, & 18)
	901-0573-NH	1	Right O-Beam Assembly Without Hubs (720 With Scales Only) (Includes Key #'s 13, 17, & 18)
	901-0573-NHS	1	Right O-Beam Assembly Without Hubs & Spindles (720 With Scales Only) (Includes Key #'s 13, 17, & 18)
	901-0705	1	Right O-Beam Assembly (720 With Brakes Only) (Includes Key #'s 13, 17, & 18)
	901-0705-NH	1	Right O-Beam Assembly Without Hubs (720 With Brakes Only) (Includes Key #'s 13, 17, & 18)
	901-0705-NHS	1	Right O-Beam Assembly Without Hubs & Spindles (720 With Brakes Only) (Includes Key #'s 13, 17, & 18)
	901-0605	1	Right O-Beam Assembly (865 With 2 Brake System Only) (Includes Key #'s 13, 17, & 18)
	901-0605-NHS	1	Right O-Beam Assembly Without One Hub & One Spindle (865 With 2 Brake System Only) (Includes Key #'s 13, 17, & 18)
	901-0607	1	Right O-Beam Assembly (865 With 4 Brake System Only) (Includes Key #'s 13, 17, & 18)
11	881-7510-7Z	2	3/4-10 x 7" Hex Head Cap Screw
	885-7510-Z	2	3/4-10 Indented Lock Nut
12	M1-10-0004-1-2	2	O-Beam Inner Bearing Pin
13	33-0056	2	Internal Snap Ring
14	884-1008-Z	12	1-8 Top Lock Nut
15	930-3602	2	Brass Male Connector
16	M1-10-0004-1-1	4	O-Beam Inner Bearing Torque Collar
17	114-VM-0002	2	Plain Spherical Bearing
18	M1-12-0018-1	1	Left O-Beam Inner Bearing Weldment

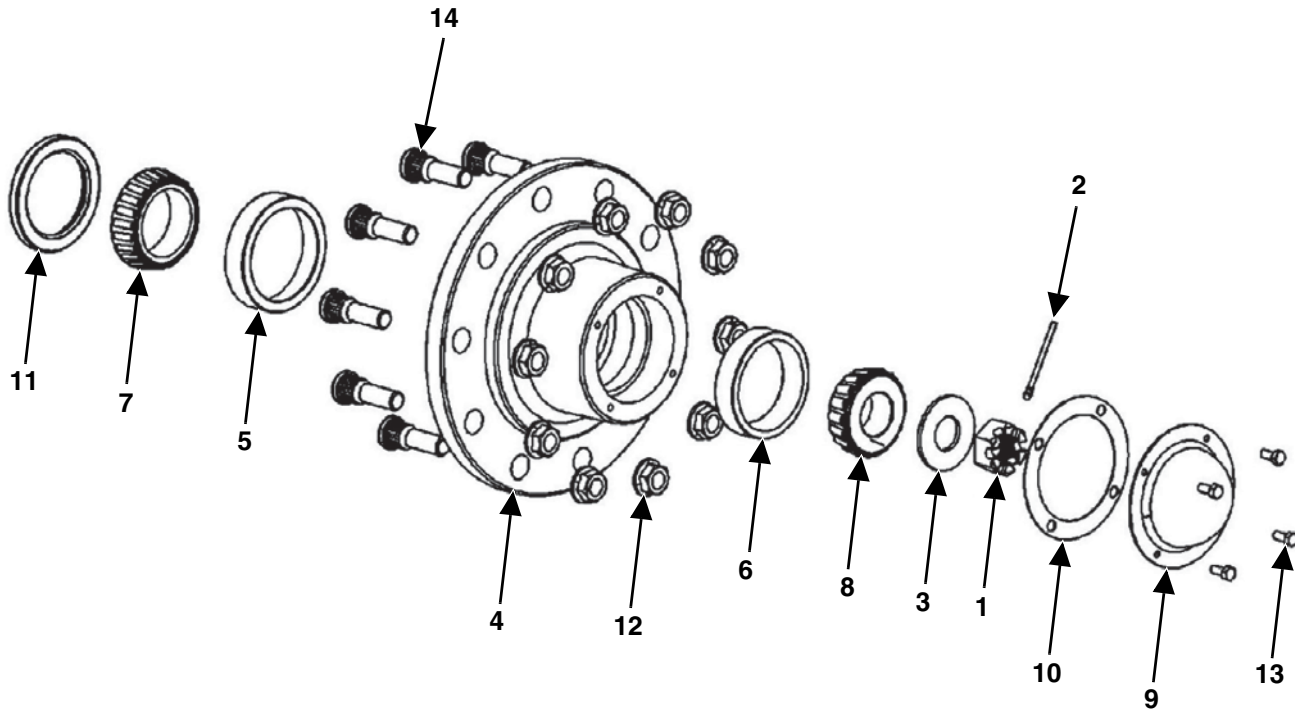
SPINDLES & O-BEAMS (CONT'D)



SXI-P-007

KEY	PART NUMBER	QTY	DESCRIPTION
19	851-1008-2.75Z	12	1-8 x 2-3/4" Hex Head Cap Screw
20	M1-10-0004-1-3	2	O-Beam Inner Bearing Washer
21	881-1014-2.5Z	2	1-14 x 2-1/2" Machine Bolt
22	M1-12-0017-1	1	Right O-Beam Inner Bearing Weldment
23	75-0111-3	1	O-Beam Spindle (Standard 720)
	75-0118	1	O-Beam Spindle (Hi-Float Package) (Standard 865)(Optional 720)
	901-0704-2-AS	1	O-Beam Spindle (720 With 4 Brake System)
	See Page 92	1	O-Beam Weigh Bar Spindle (720 With Scales Only)
		1	Refer to Key #8 (865 2/4 Brake System)
24	75-0111-3	1	O-Beam Spindle (Standard 720)
	75-0118	1	O-Beam Spindle (Hi-Float Package) (Standard 865)(Optional 720)
	901-0704-2-AS	1	O-Beam Spindle (720 With 4 Brake System)
	See Page 92	1	O-Beam Weigh Bar Spindle (720 With Scales Only)
		1	Refer to Key #9 (865 2/4 Brake System)
25	75-0111-3	1	O-Beam Spindle (Standard 720)
	75-0118	1	O-Beam Spindle (Hi-Float Package) (Standard 865)(Optional 720) (865 With 2 Brake System)
	901-0704-2-AS	1	O-Beam Spindle (720 With 4 Brake System)
	See Page 92	1	O-Beam Weigh Bar Spindle (720 With Scales Only)
		1	Refer to Key #9 (865 4 Brake System)
26	See Page 78	2	Hub (Standard 720) (720 With Brakes) (720 With Scales)
	See Page 78	2	Hub (Hi-Float Package) (Standard 865)(Optional 720)
	975-0200	2	Hub (865 With 2/4 Brake System)

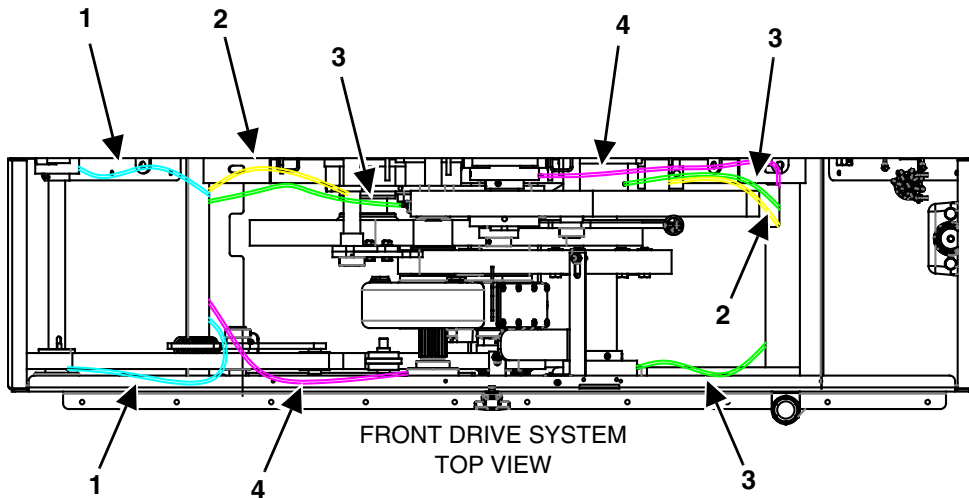
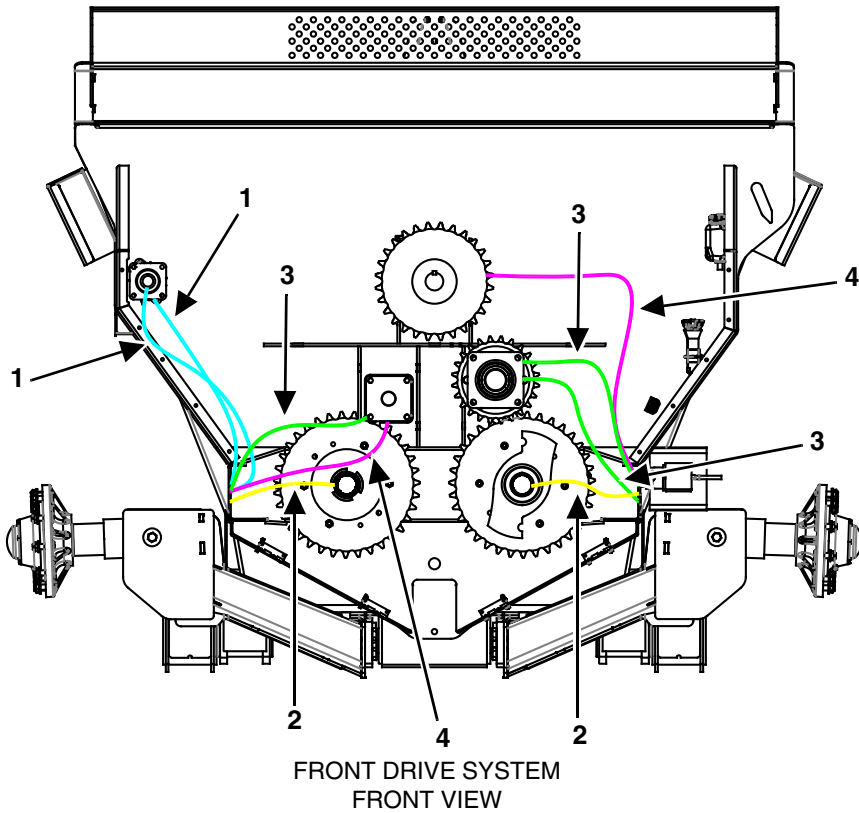
# HUB ASSEMBLY



SXI-P-016

KEY	PART NUMBER	QTY	DESCRIPTION
0	75-0219	1	Hub Assembly (Standard 720) (720 With Brakes)
	75-0219-SC	1	Hub Assembly (720 With Scales)
	75-0213	1	Hub Assembly (Hi-Float Package) (Standard 865) (Optional 720)
1	75-0208-8	1	Nut, Castle (Standard 720) (720 With Brakes) (720 With Scales)
	75-0213-13	1	Nut, Castle (Hi-Float Package) (Standard 865) (Optional 720)
2	75-0208-9	1	Cotter Pin (Standard 720) (720 With Brakes) (720 With Scales)
	75-0213-14	1	Cotter Pin (Hi-Float Package) (Standard 865) (Optional 720)
3	75-0208-7	1	Washer (Standard 720) (720 With Brakes) (720 With Scales)
	75-0213-12	1	Washer (Hi-Float Package) (Standard 865)(Optional 720)
4	75-0219-1	1	Hub With Bearing Races & Studs (Standard 720) (720 With Brakes) (720 With Scales)
	75-0213-1	1	Hub With Bearing Races & Studs (Hi-Float Package) (Standard 865)(Optional 720)
5	75-0211-4	1	Inner Wheel Race (Standard 720) (720 With Brakes) (720 With Scales)
	75-0213-10	1	Inner Wheel Race (Hi-Float Package) (Standard 865)(Optional 720)
6	75-0208-5	1	Outer Wheel Race (Standard 720) (720 With Brakes) (720 With Scales)
	75-0213-3	1	Outer Wheel Race (Hi-Float Package) (Standard 865) (Optional 720)
7	75-0211-3	1	Inner Wheel Bearing Cone (Standard 720) (720 With Brakes) (720 With Scales)
	75-0213-5	1	Inner Wheel Bearing Cone (Hi-Float Package) (Standard 865) (Optional 720)
8	75-0208-6	1	Outer Wheel Bearing Cone (Standard 720) (720 With Brakes) (720 With Scales)
	75-0213-6	1	Outer Wheel Bearing Cone (Hi-Float Package) (Standard 865) (Optional 720)
9	75-0208-10	1	Hub Cap (Standard 720) (720 With Brakes) (720 With Scales) (With Brakes: Prior to SN SXI20720207) (Without Brakes: Prior to SN SXI20720205)
	75-0219-3	1	Hub Cap (Standard 720) (720 With Brakes) (720 With Scales) (With Brakes: SN SXI20720207 & Later) (Without Brakes: SN SXI20720205 & Later)
	75-0213-7	1	Hub Cap (Hi-Float Package) (Standard 865) (Optional 720)
10	75-0208-14	1	Hub Cap Gasket (Standard 720) (720 With Brakes) (720 With Scales) (With Brakes: Prior to SN SXI20720207) (Without Brakes: Prior to SN SXI20720205)
	75-0219-2	1	Hub Cap Gasket (Standard 720) (720 With Brakes) (720 With Scales) (With Brakes: SN SXI20720207 & Later) (Without Brakes: SN SXI20720205 & Later)
	75-0213-11	1	Hub Cap Gasket (Hi-Float Package) (Standard 865) (Optional 720)
11	75-0211-2	1	Grease Seal (Standard 720) (720 With Brakes)
	75-0211-2-SC	1	Grease Seal (720 With Scales)
	75-0213-2	1	Grease Seal (Hi-Float Package) (Standard 865) (Optional 720)
12	75-0208-11	10	3/4"-16 Lug Nut-Flanged, Grade 8, Torque 378 ft/lbs
13	75-0208-13	4	Hex Bolt, 5/16"-18 x .75
14	75-0208-12	10	3/4"-16 Lug Bolt
NS	75-0219-4	11	Grease Zerk

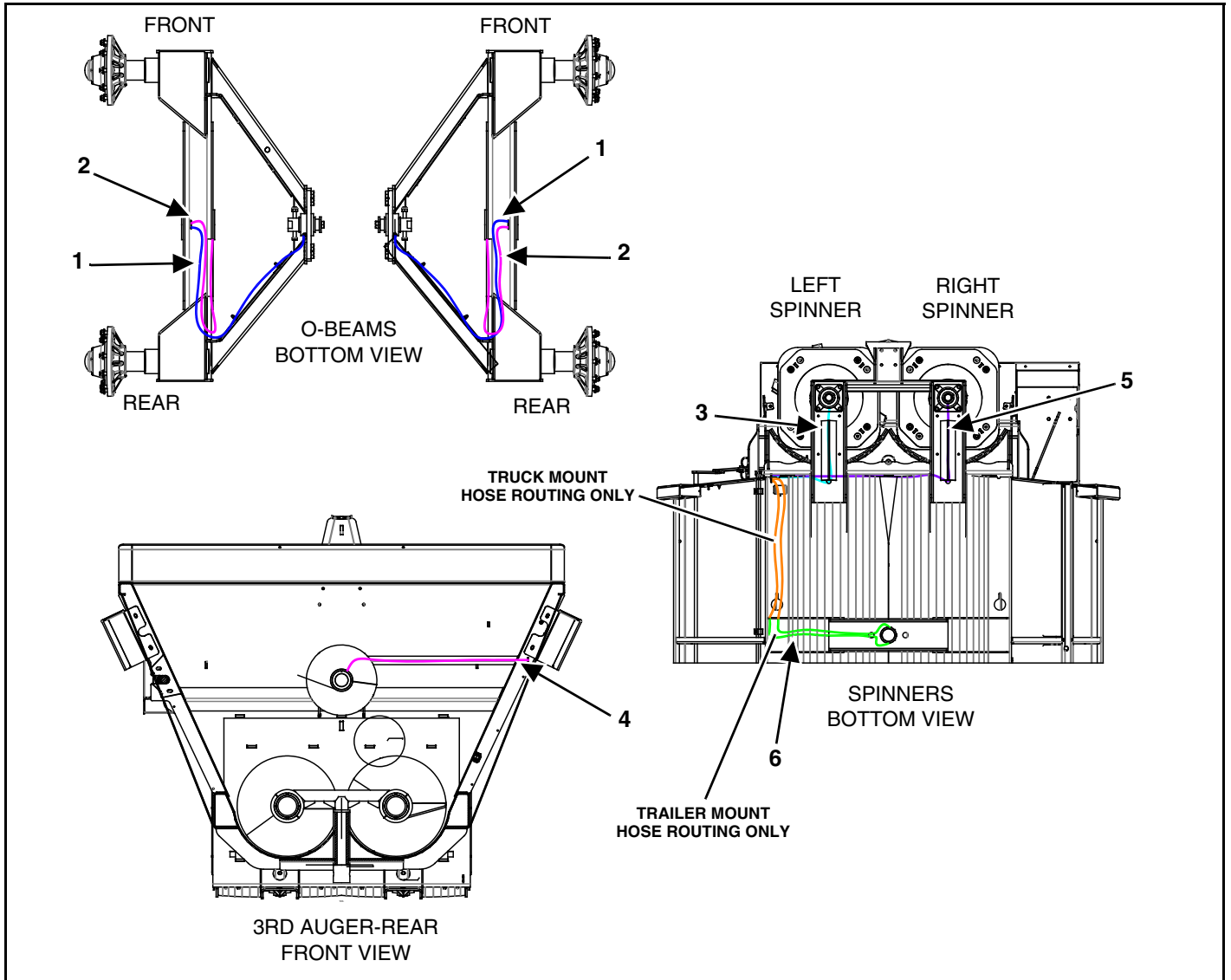
## FRONT GREASE HOSES



KEY	PART NUMBER	QTY	DESCRIPTION
1	155-02R7-35-1	2	1/8" x 35" Grease Hose Assembly
	30-0001	2	1/4"-28 Straight Fitting
2	155-02R7-17-1	2	1/8" x 17" Grease Hose Assembly
	30-0001	2	1/4"-28 Straight Fitting
3	155-02R7-28-1	3	1/8" x 28" Grease Hose Assembly
	30-0001	3	1/4"-28 Straight Fitting
4	155-02R7-47-1	2	1/8" x 47" Grease Hose Assembly
	30-0001	2	1/4"-28 Straight Fitting

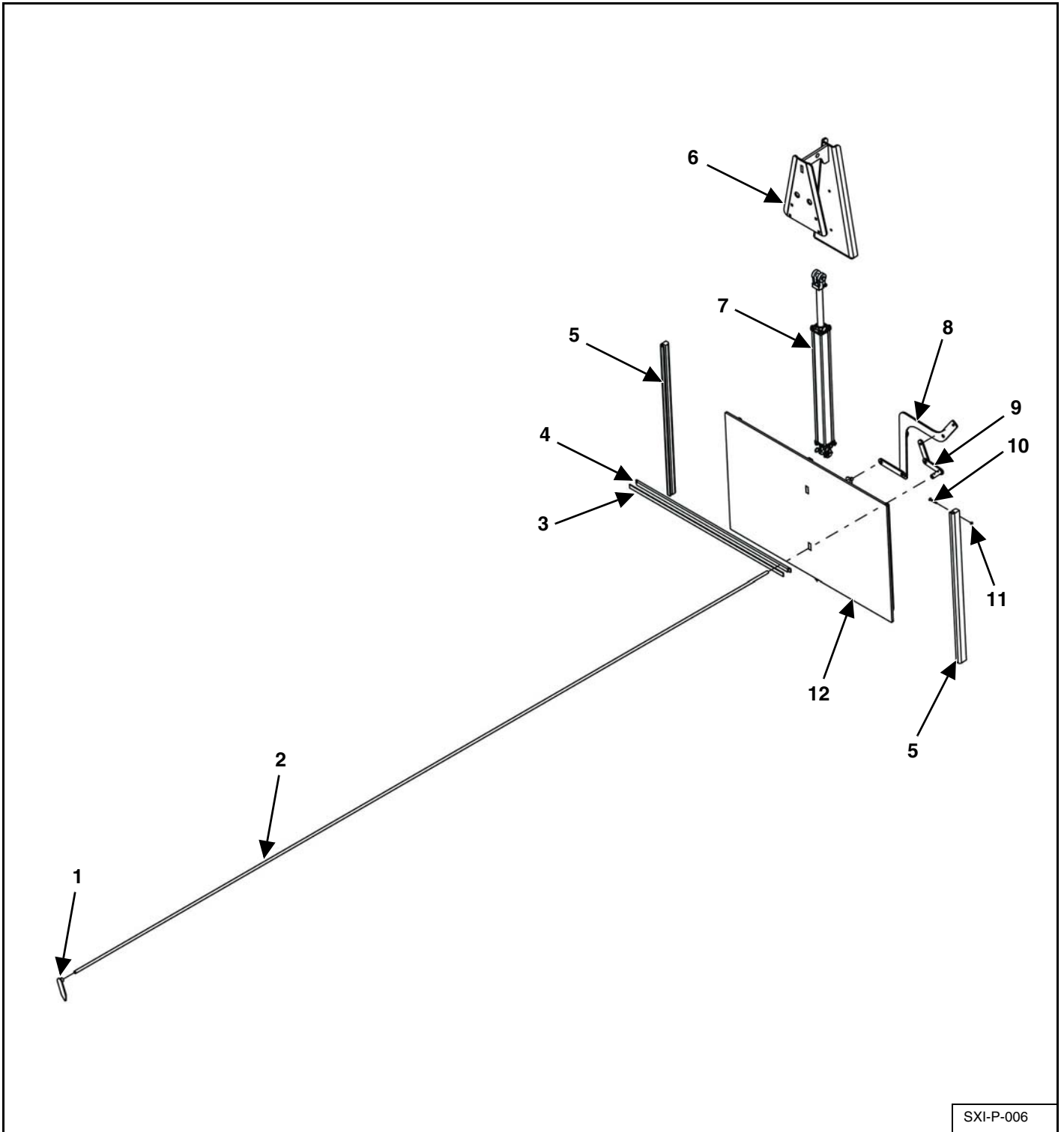


## O-BEAMS & REAR GREASE HOSES



KEY	PART NUMBER	QTY	DESCRIPTION
1	155-02R7-59-1	2	O-Beam Inner Bearing 1/8" x 47" Grease Hose Assembly (720 Only)
	155-02R7-59-1	2	O-Beam Inner Bearing 1/8" x 59" Grease Hose Assembly (865 Only)
	30-0001	2	1/4"-28 Straight Fitting
2	155-02R7-47-1	2	O-Beam Outer Bearing 1/8" x 47" Grease Hose Assembly (865 Only)
	30-0001	2	1/4"-28 Straight Fitting (865 Only)
3	155-02R7-35-1	1	1/8" x 35" Grease Hose Assembly
	30-0001	1	1/4"-28 Straight Fitting
4	155-02R7-47-1	1	1/8" x 47" Grease Hose Assembly
	30-0003	1	1/4"-28 45 Degree Fitting
5	155-02R7-62-1	1	1/8" x 62" Grease Hose Assembly
	30-0001	1	1/4"-28 Straight Fitting
6	155-02R7-28-1	2	1/8" x 28" Grease Hose Assembly (Trailer Mount)
	155-02R7-75-1	2	1/8" x 75" Grease Hose Assembly (Truck Mount)
	30-0001	2	1/4"-28 Straight Fitting
	30-0020	2	1/8" NPT Street 90 Degree Fitting
NS	30-0019	2	O-Beam Outer Bearing 1/8" NPT x 2" Nipple (720 Only)
	30-0009	2	O-Beam Outer Bearing 1/8" NPT x 3/4" Coupler (720 Only)
	30-0006	2	O-Beam Outer Bearing 1/8" NPT 90 Degree Fitting (720 Only)

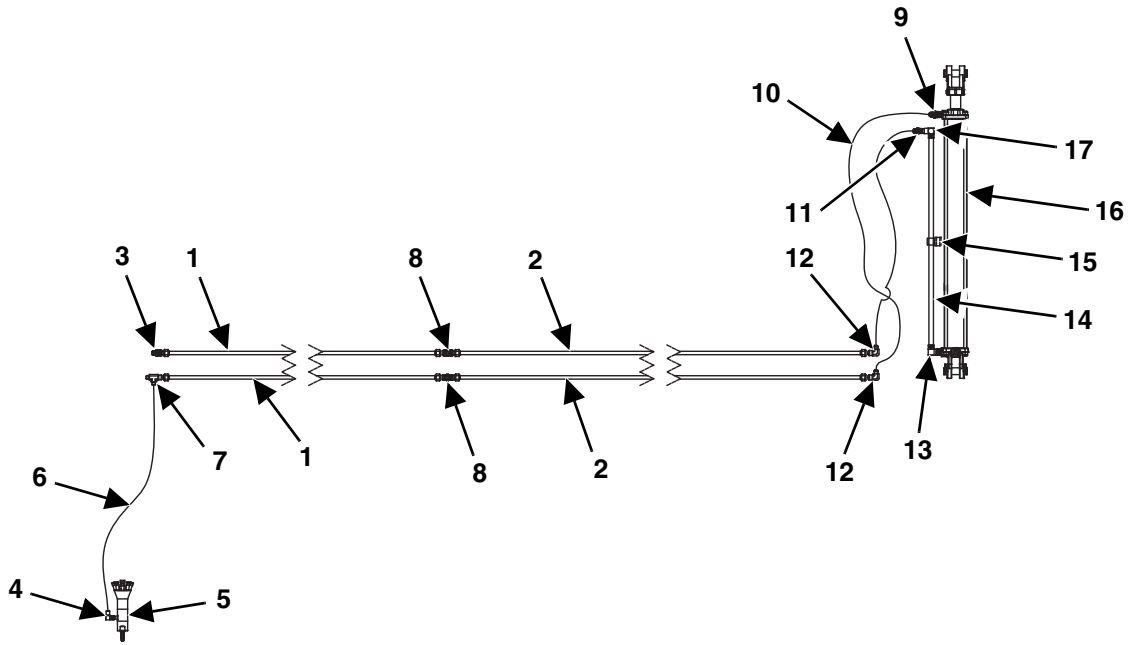
# REAR GATE



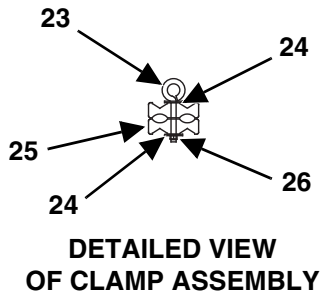
SXI-P-006

KEY	PART NUMBER	QTY	DESCRIPTION
1	925-0508	1	Gate Indicator Weldment
2	925-0519	1	Indicator Pipe (720)
	925-0510	1	Indicator Pipe (865)
3	901-0500-34	1	Gate Seal Spacer
4	949-3751	1	Gate Poly
5	949-0500	2	Poly Door Slides
6	925-0504	1	Gate Cylinder Mount Weldment (Prior to SN SXI17720214)
	925-0534	1	Gate Cylinder Mount Weldment (SN SXI17720214 & Later)
7	See Page 84	1	Gate Hydraulic Cylinder
8	925-0524	1	Gate Indicator Linkage Assembly (Prior to SN SXI17720213)
	925-0535	1	Gate Indicator Linkage Assembly (SN SXI17720213 & Later)
9	925-3767	1	Indicator Linkage Arm Weldment
10	850-3118-2.25Z	10	5/16-18 x 2-1/4" Carriage Bolt
11	814-3118-Z	10	5/16-18 Indented Lock Nut
12	901-0553	1	Gate Weldment

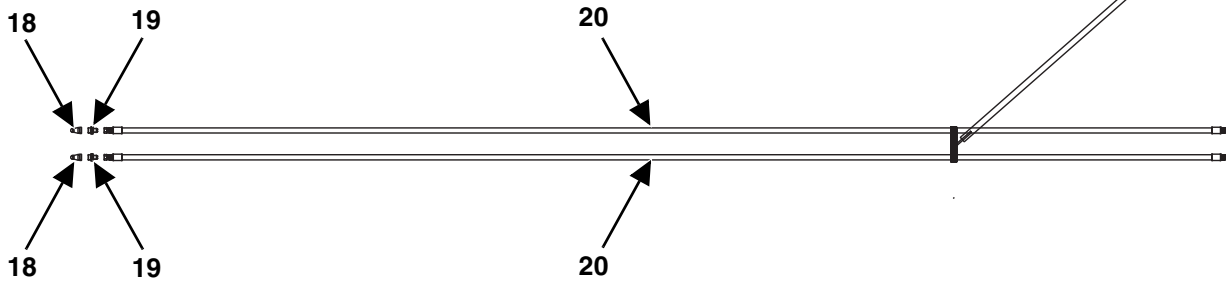
STANDARD HYDRAULICS



FRONT HOSES



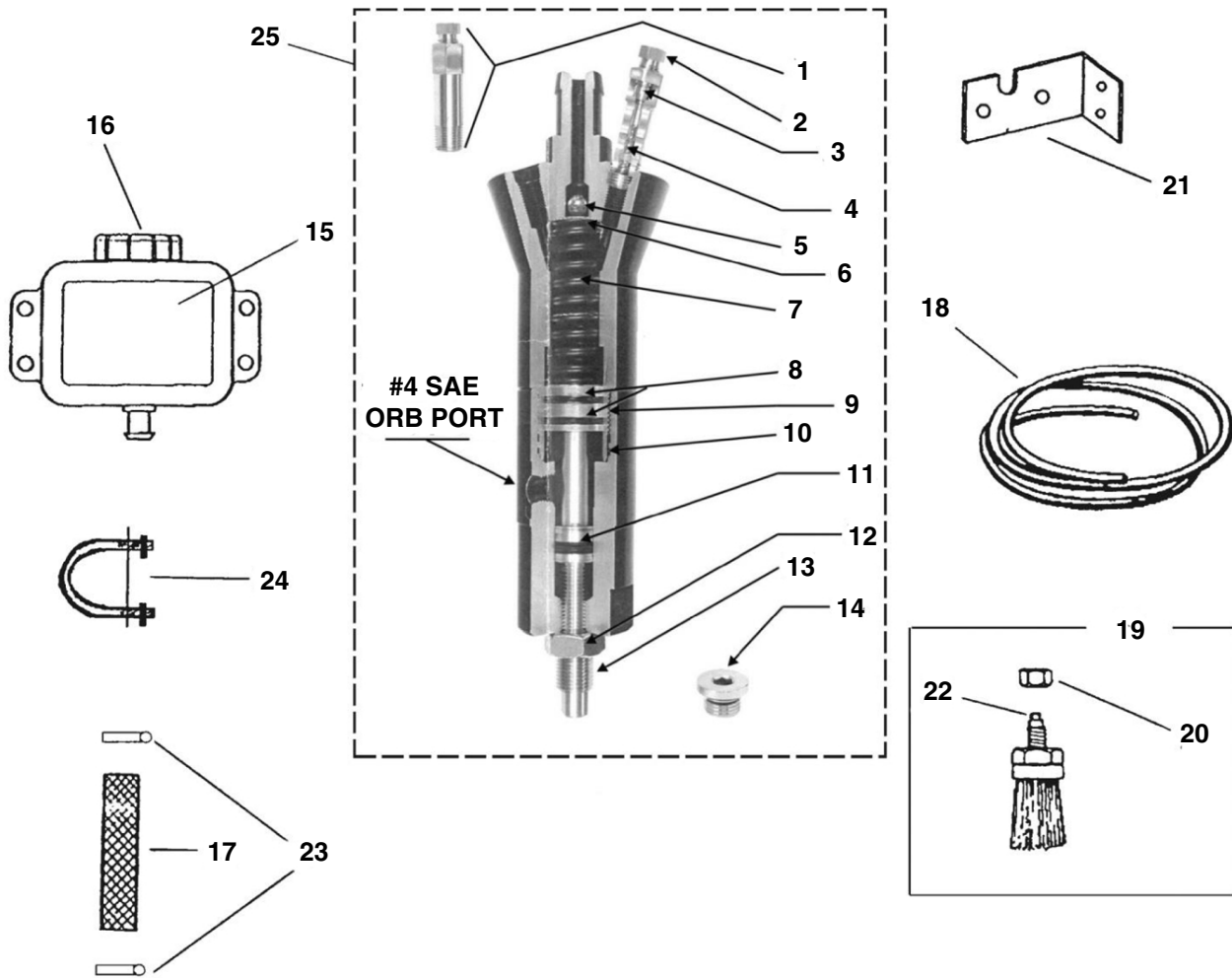
DETAILED VIEW OF CLAMP ASSEMBLY



SXI-P-017

KEY	PART NUMBER	QTY	DESCRIPTION
1	55-0330	2	3/8" x 80" Hydraulic Pipe (720) (Prior to SN SXI17720207)
	55-0334	2	1/2" x 80" Hydraulic Pipe (720) (SN SXI17720207 & Later)
	55-0328	2	3/8" x 120" Hydraulic Pipe (865) (Prior to SN SXI17720207)
	55-0333	2	1/2" x 120" Hydraulic Pipe (865) (SN SXI17720207 & Later)
2	55-0328	2	3/8" x 120" Hydraulic Pipe (Prior to SN SXI17720207)
	55-0333	2	1/2" x 120" Hydraulic Pipe (SN SXI17720207 & Later)
3	155-2403-08-06	1	Straight Union
4	155-6801-06-04	1	90 Degree Adjustable Elbow
5	See Page 86	1	Oiler Pump
6	155-04R17-19-1	1	1/4" x 19" Hose
7	155-2603-08-06-06	1	Tee
8	155-2403-06-06	2	Straight Union (Prior to SN SXI17720207)
	155-2403-08-08	2	Straight Union (SN SXI17720207 & Later)
9	155-5406-08-06	1	Straight Reducer Bushing (Prior to SN SXI17720207)
	155-2404-06-08	1	Straight Adapter Union (SN SXI17720207 & Later)
10	155-08R17-69-1	2	1/2" x 69" Hose (Prior to SN SXI17720207)
	155-06R17-70-1	2	3/8" x 70" Hose (SN SXI17720207 & Later)
11	155-2404-08-06	2	Straight Adapter Union (Prior to SN SXI17720207)
	155-2404-06-06	2	Straight Adapter Union (SN SXI17720207 & Later)
12	155-2500-08-06	2	90 Degree Elbow
13	55-0092	1	90 Degree Street Elbow
14	955-3753	1	Gate Cylinder Hydraulic Pipe
15	925-3754	1	Gate Cylinder Hydraulic Pipe Holder Weldment
16	955-0011-ASSY	1	Hydraulic Cylinder Assembly (Includes Key #'s 13, 14, 15, & 17)
	955-0011-1	1	Cylinder Seal Kit
17	955-3605	1	3/8" 90 Degree Elbow
18	155-8010-15	2	ORB Male Tip
	155-6400-8-8	2	Straight Connector (Prior to SN SXI17720207)
19	155-6400-6-8	2	Straight Connector (SN SXI17720207 & Later)
	155-08R17-166-1	2	1/2" x 166" Hose (Prior to SN SXI17720207)
20	155-06R17-162-1	2	3/8" x 162" Hose (SN SXI17720207 & Later)
	29-0029	1	Hydraulic Hose Tender Spring Kit With Sleeve & Hardware
22	811-3118-1Z	1	5/16-18 x 1" Eyebolt
23	811-3118-2Z	1	5/16-18 x 2" Eyebolt
24	805-0031-Z	1	5/16" Flat Washer
25	55-0324	2	Twin Series Clamp
26	815-3118-Z	1	5/16-18 Nylon Lock Nut

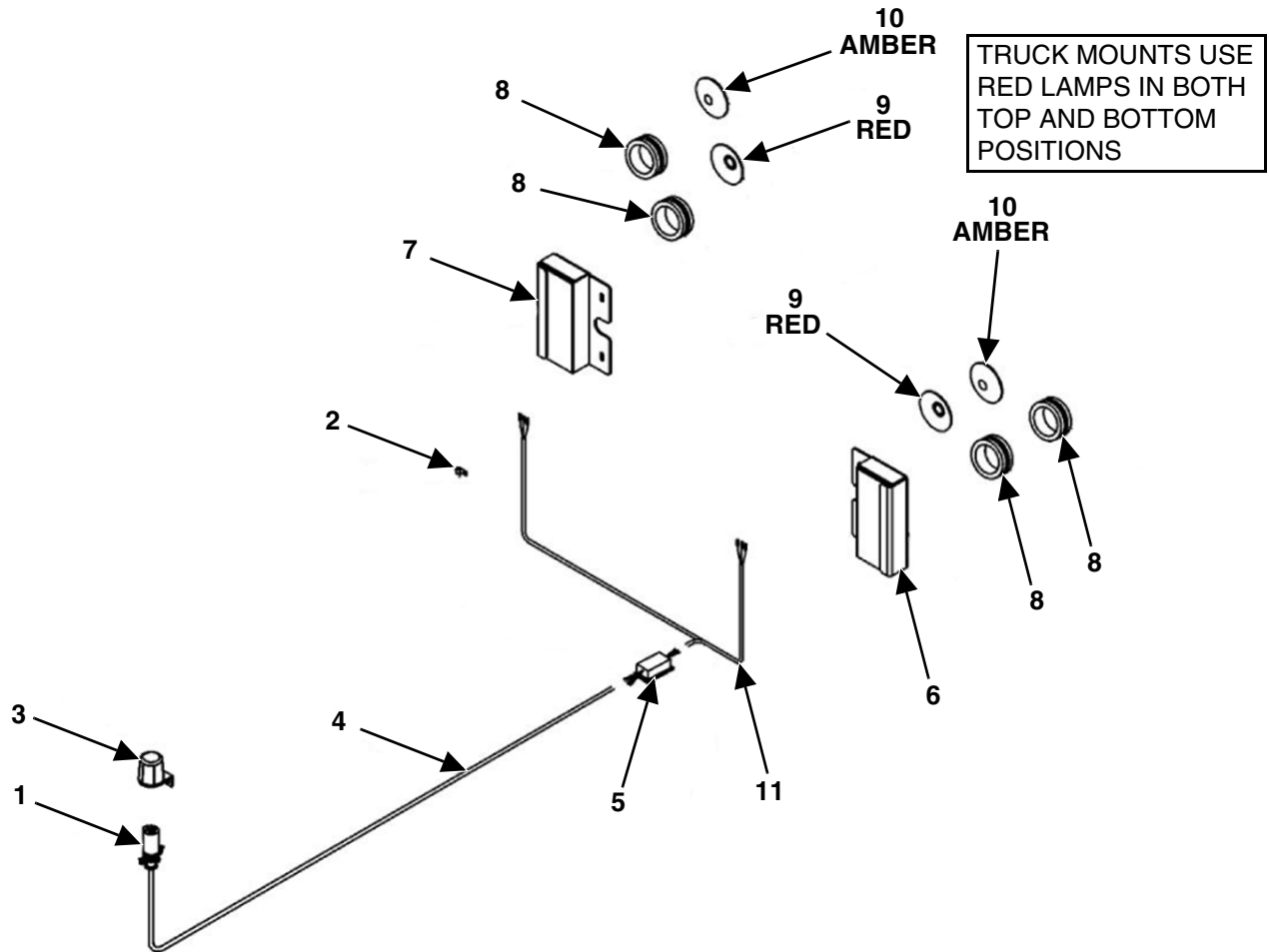
# OIL-KIT



SXI-P-018

KEY	PART NUMBER	DESCRIPTION
1	952-0001-1-33	Holder, Manifold Valve Assembly
2	952-0001-1-27	Sleeve Nut Brass
3	952-0001-1-28	5/32" Brass Ferrule
4	952-0001-1-9	One Way Valve (Schrader Valve)
5	952-0001-1-11	Bearing, 7/16" Stainless
6	952-0001-1-10	Screen Flat Oiler .906 Diameter
7	952-0001-1-5	Spring, Oiler
8	952-0001-1-8	O Ring, Oiler Piston
9	952-0001-1-4	Piston, 2 Groove Alum, Short
10	952-0001-1-6	Washer, Rubber Lube Minder
11	952-0001-1-7	O Ring, Adjustable End Cap Plunger
12	952-0001-1-16	1/2-20 Jam Nut
13	952-0001-1-3	Plunger, Brass Adjustable End Cap
14	952-0001-1-32	1/8" Hex Head Pipe Plug
15	952-0001-1-18	Reservoir Two Quart Tank
16	952-0001-1-35	Reservoir Cap Only
17	952-0001-1-20	Tubing 5/8" ID Clear Polybraid
18	952-0001-1-21	Tubing 5/32" Nylon (Feet)
19	952-0001-1-25	Brush Assembly No 5/32" Insert
20	813-5020-Z	1/2-20 Plated Nut
21	952-0001-1-17	Bracket Oiler Mounting Pump
22	952-0001-1-14	5/32" Push In Insert (Nycoil)
23	952-0001-1-30	1" Hose Clamp
24	952-0001-1-31	U-Bolt Assembly # 9
25	952-0001-1-36	Oiler Body Pump Assembly, Complete

# HIGHWAY LIGHTS



SXI-P-019



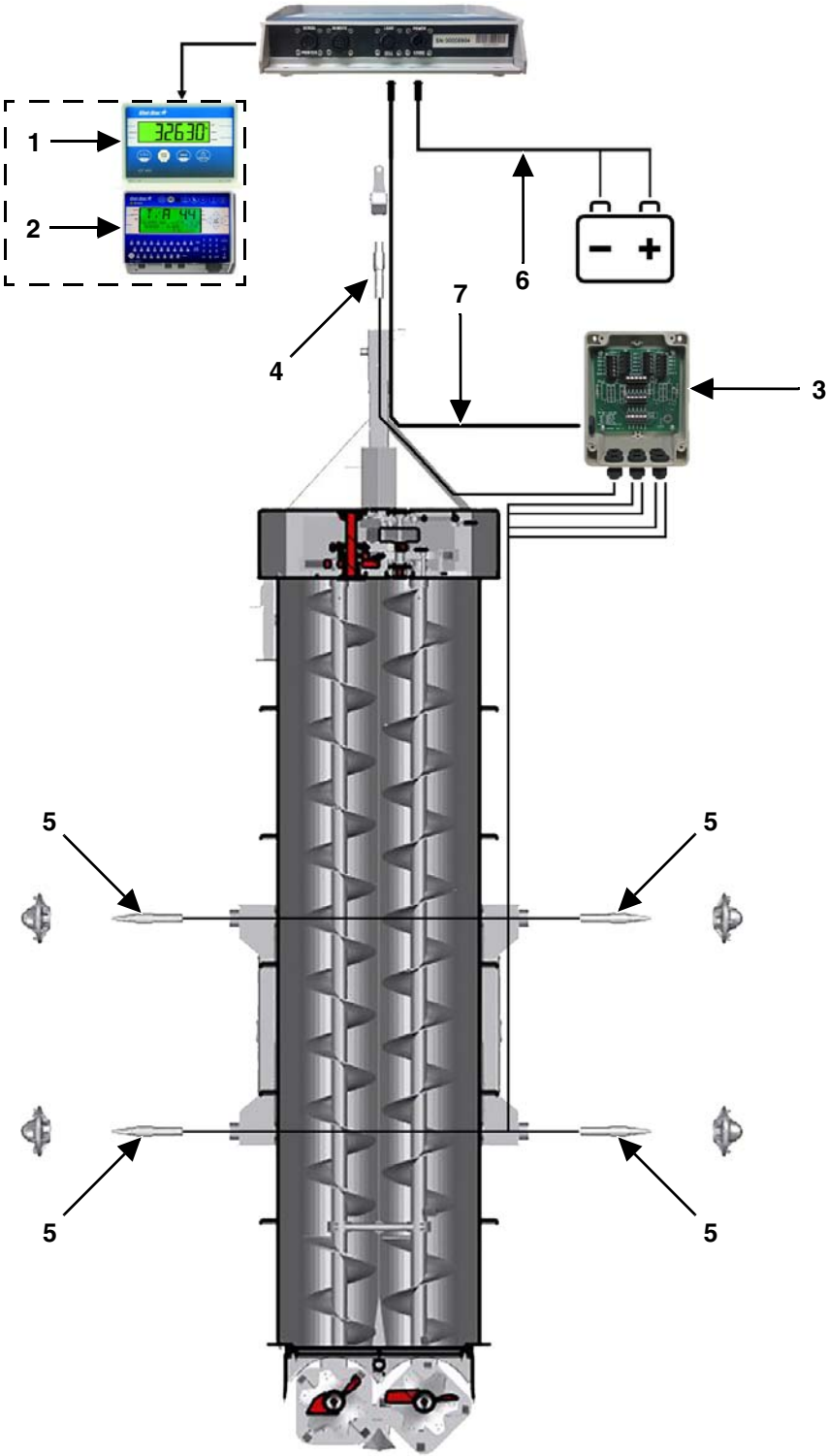
KEY	PART NUMBER	QTY	DESCRIPTION
1	56-0005-4	1	7-Contact Plug End Only, w/Spring
2	56-0008	1	Harness Frame Clip
3	56-0009	1	Stor-A-Way Plug Holder
4	56-0037	28.50	4 Conductor Trailer Cable (Per Foot) (720)
	56-0037	31.83	4 Conductor Trailer Cable (Per Foot) (865)
5	56-0084	1	LED Ag Enhancer Module
6	925-0011-1	1	LH LED Mount Bracket
7	925-0012-1	1	RH LED Mount Bracket
8	56-0092	4	4" Round Grommet
9	56-0090	2/4	4" Red Stop/Tail/Turn LED Lamp
10	56-0091	2/0	4" Amber Turn/Warning Lamp
11	56-0130	1	LED Light Y-Harness



## 10.0 OPTIONAL EQUIPMENT

KEY	DESCRIPTION	PAGE #
1	WEIGH BAR WIRING DIAGRAM (720 ONLY)	92
2	HYDRAULIC DRIVEN AUGER DRIVE COMPONENTS	94
3	HYDRAULIC DRIVEN AUGER BODY & SHIELDS	96
4	HYDRAULIC DRIVEN AUGER HYDRAULIC SCHEMATIC	98
5	HYDRAULIC DRIVEN AUGER FRONT HOSES	99

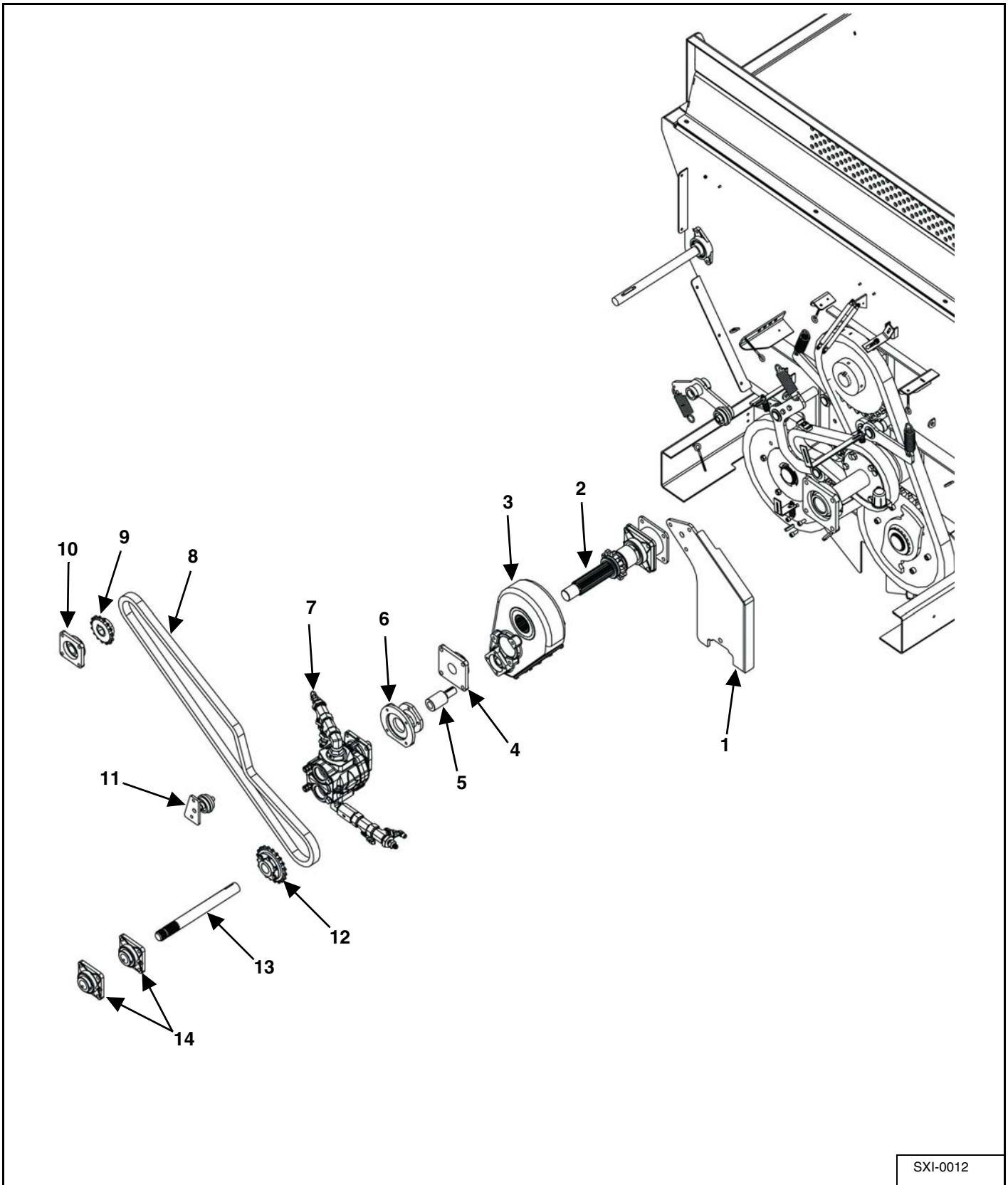
WEIGHT BAR WIRING DIAGRAM (720 ONLY)



SXI-P-009

KEY	PART NUMBER	QTY	DESCRIPTION
1	58-0022	1	GT 400 Monitor
2	58-0016-SP	1	NT 460 Monitor
3	58-0020	1	6 Point J-Box
	58-0008	1	6 Point J-Box With Monitor Cable
4	58-0024	1	Front Hitch Weigh Bar, 2.875
5	58-0026	4	Spindle Load Cell, 2.875
6	56-0236	1	Monitor To Auxiliary Power Cord Assembly
	56-0204	1	12V Male Plug Auxiliary Power Cord Assembly
	56-0136	1	3-Pin Auxiliary Power Cord Assembly
7	58-0029	1	Junction Box To Monitor Cable 30'
NS	25-0302	1	Scale Monitor Mount Bracket Assembly
NS	25-0303	1	Scale Monitor Mount Angle Welded Assembly

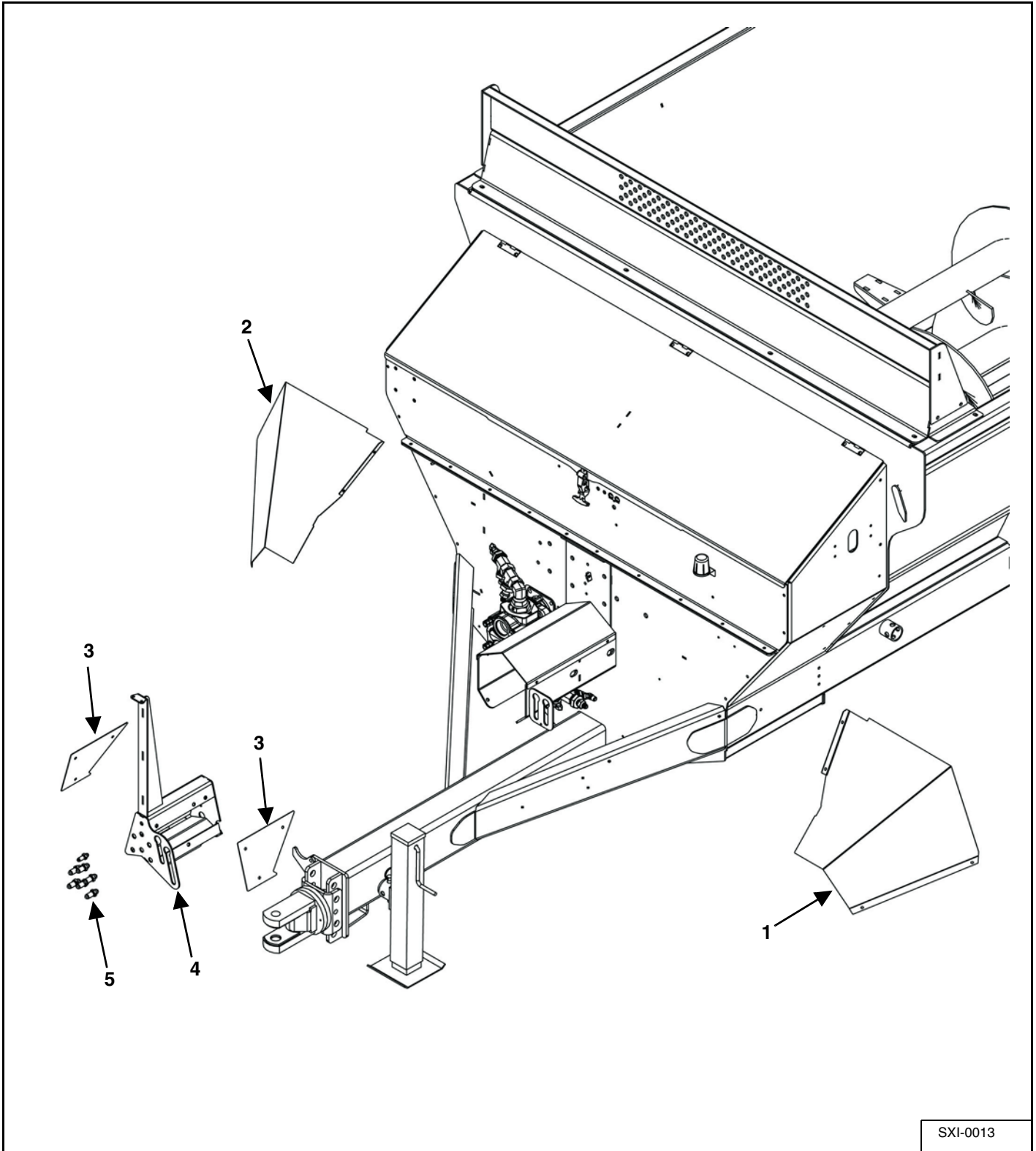
# HYDRAULIC DRIVEN AUGER DRIVE COMPONENTS



SXI-0012

KEY	PART NUMBER	QTY	DESCRIPTION
1	925-0509	1	Gearbox Torque Arm Weldment
2	See Page 54	1	Second Reduction Drive
3	See Page 52	1	Berma Front Gearbox
4	See Page 50	1	First Reduction And Spinner Drive
5	923-0511	1	Adapter Shaft
6	901-0575	1	Motor To Gearbox Mount Weldment
7	See Page 98	1	Hydraulic Driven Auger Hydraulic Schematic
8	See Page 50	1	#80-116 O-Ring Roller Chain Including Connector
9	See Page 50	1	Sprocket Assembly With Hub, Bolts, & Washers
10	See Page 50	1	4-Bolt Flange Bearing
11	See Page 50	1	First Reduction And Spinner Drive
12	See Page 50	1	First Reduction And Spinner Drive
13	923-0507	1	Input Drive Shaft
14	See Page 50	2	4-Bolt Flange Bearing

# HYDRAULIC DRIVEN AUGER BODY & SHIELDS

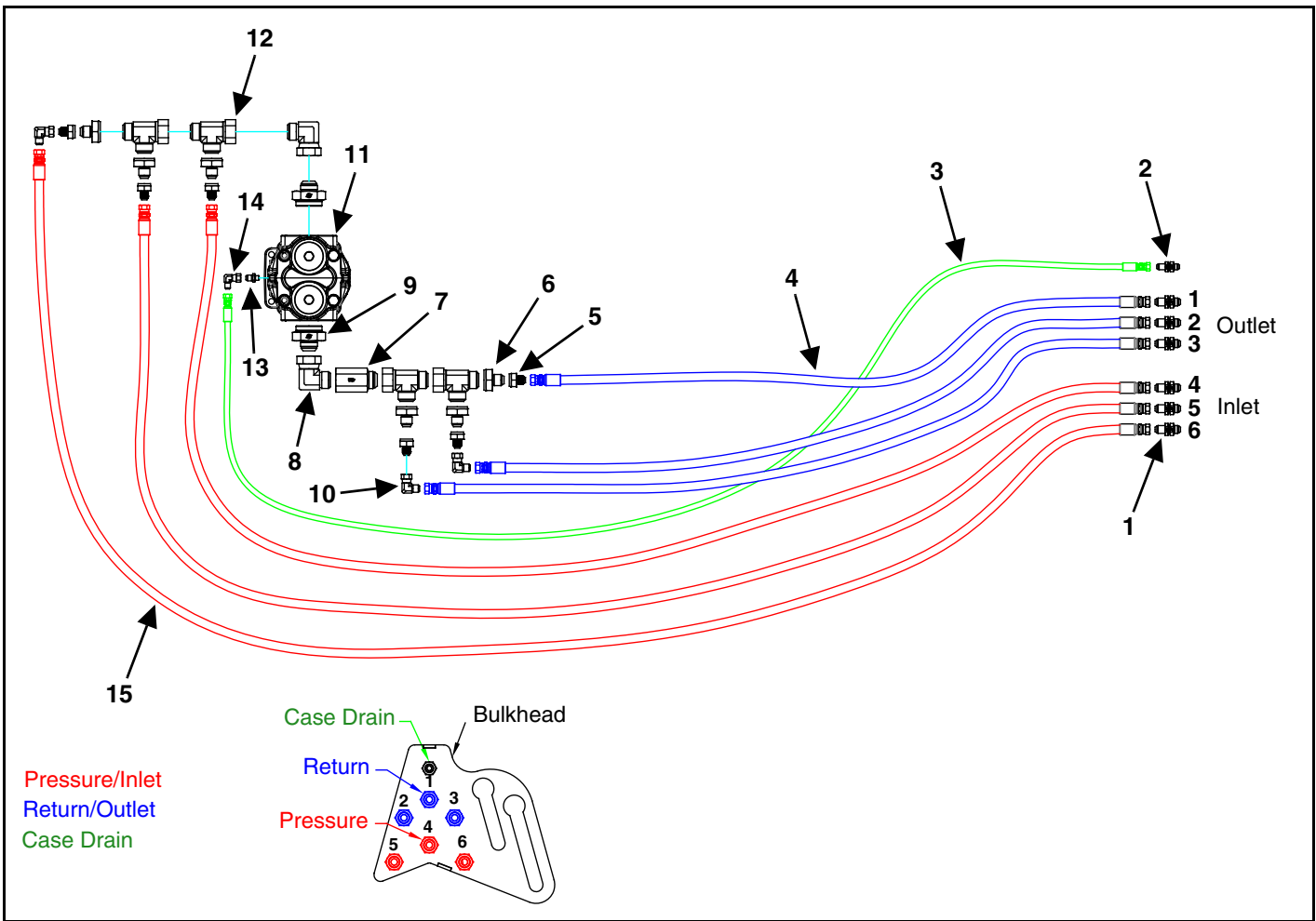


SXI-0013



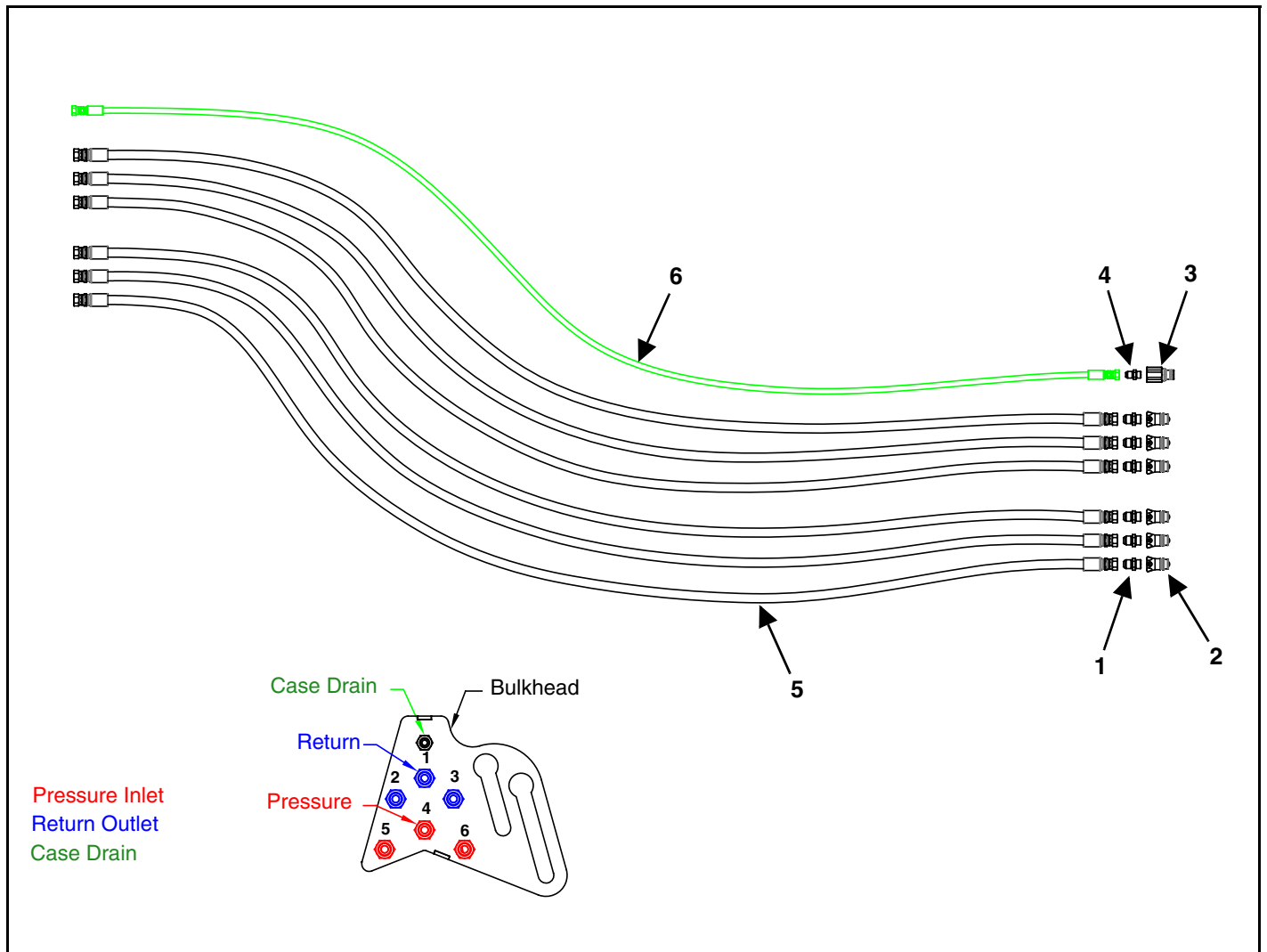
KEY	PART NUMBER	QTY	DESCRIPTION
1	924-0550-1	1	Left Shield
2	924-0551-1	1	Right Shield
3	924-0552-1	2	Bulkhead Cover Plate
4	924-0549-1	1	Bulkhead Weldment
5	See Page 98	1	Hydraulic Auger Drive Hydraulic Schematic

## HYDRAULIC DRIVEN AUGER HYDRAULIC SCHEMATIC



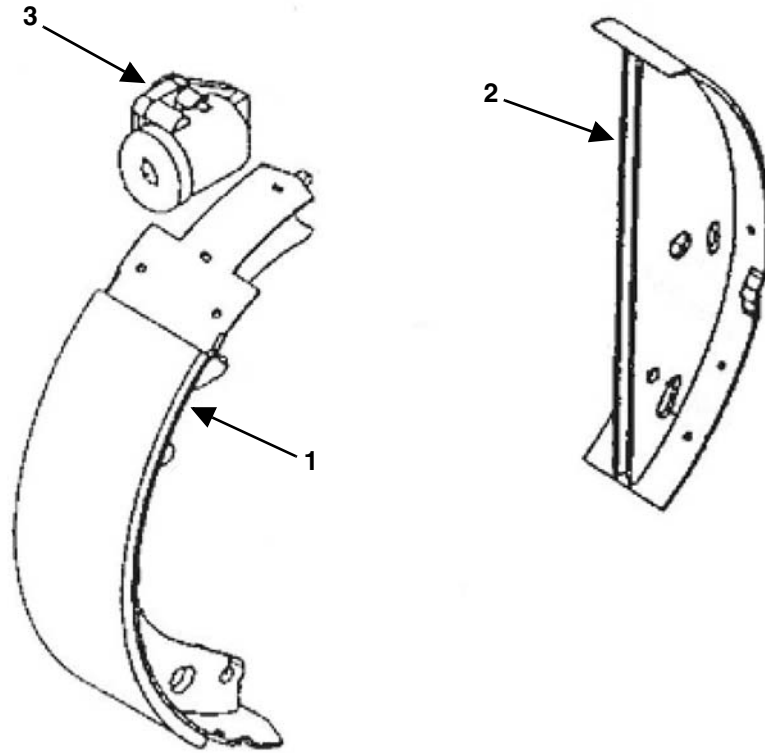
KEY	PART NUMBER	QTY	DESCRIPTION
1	155-2700-LN-08-08	6	Straight Bulkhead With Lock Nut
2	155-2700-LN-06-06	1	Straight Bulkhead With Lock Nut
3	155-04R17-31-1	1	1/4" x 31" Hose
4	155-08R17-45-1	3	1/2" x 45" Hose
5	155-2406-12-08	6	Straight Adapter
6	155-2406-20-12	6	Straight Adapter
7	155-CV-1920FF	1	Check Valve
8	155-6500-20-20	2	90 Degree Fitting
9	155-6400-20-32	2	Straight Adapter
10	155-6500-08-08	3	90 Degree Fitting
11	155-Y62-14.39-1	1	Muncie Optimum Y62 Series Gear Pump
	155-Y62-14.39-1-1	1	Shaft Seal
12	155-6602-20	4	Tee Fitting
13	155-6400-06-04	1	Straight Adapter
14	155-6500-06-06	1	90 Degree Fitting
15	155-08R17-57-1	3	1/2" x 57" Hose

## HYDRAULIC DRIVEN AUGER FRONT HOSES



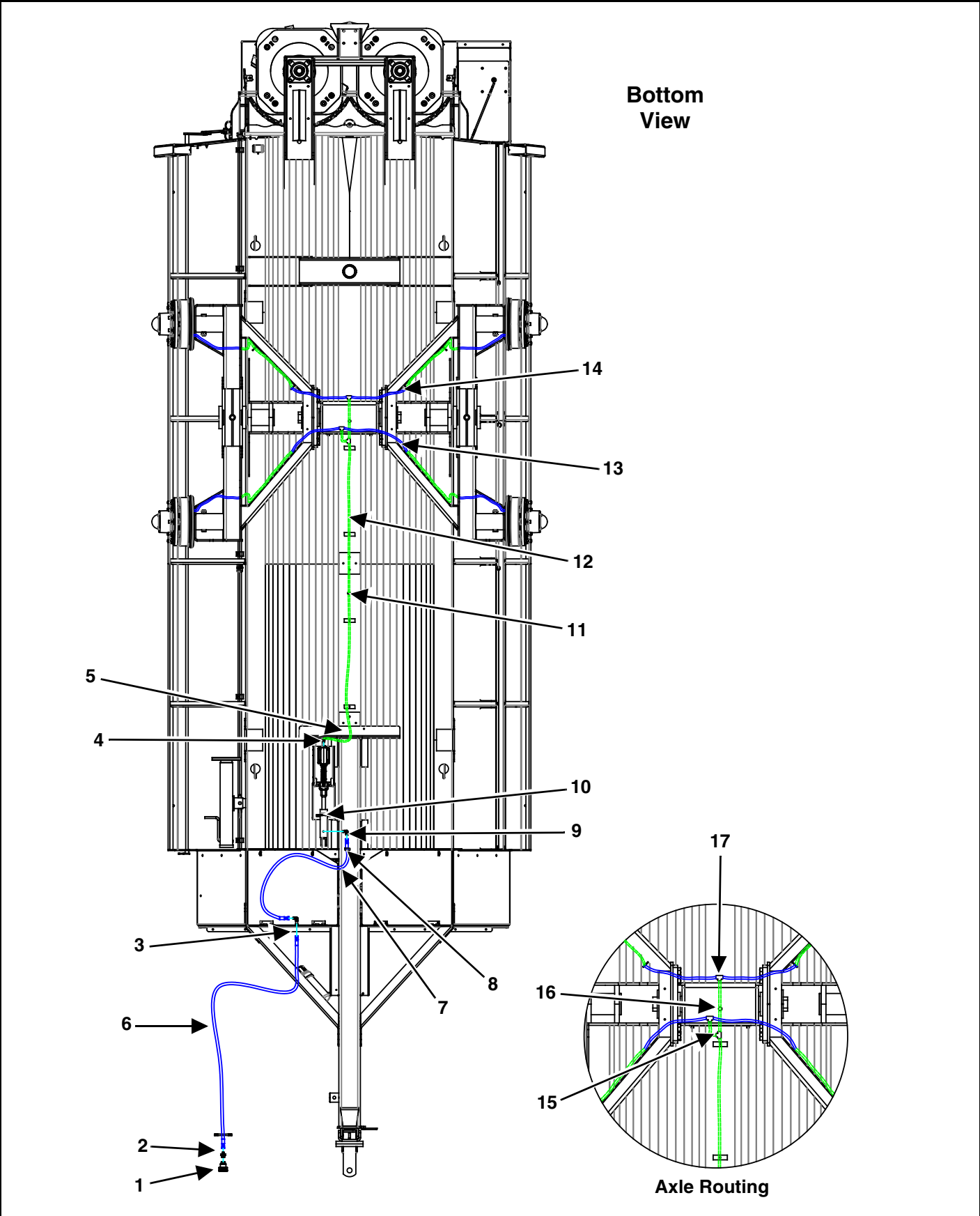
KEY	PART NUMBER	QTY	DESCRIPTION
1	155-6400-8-8	6	Straight Adapter
2	155-8010-15	6	Male Tip 1/2" Body Size
3	55-0346	1	3/8" Male Flat Face Quick Coupler
4	155-6400-06-06	1	Straight Adapter
5	155-08R17-89-1	3	1/2" x 89" Hose
6	155-04R17-90-1	1	1/4" x 90" Hose

# 720 BRAKE COMPONENTS



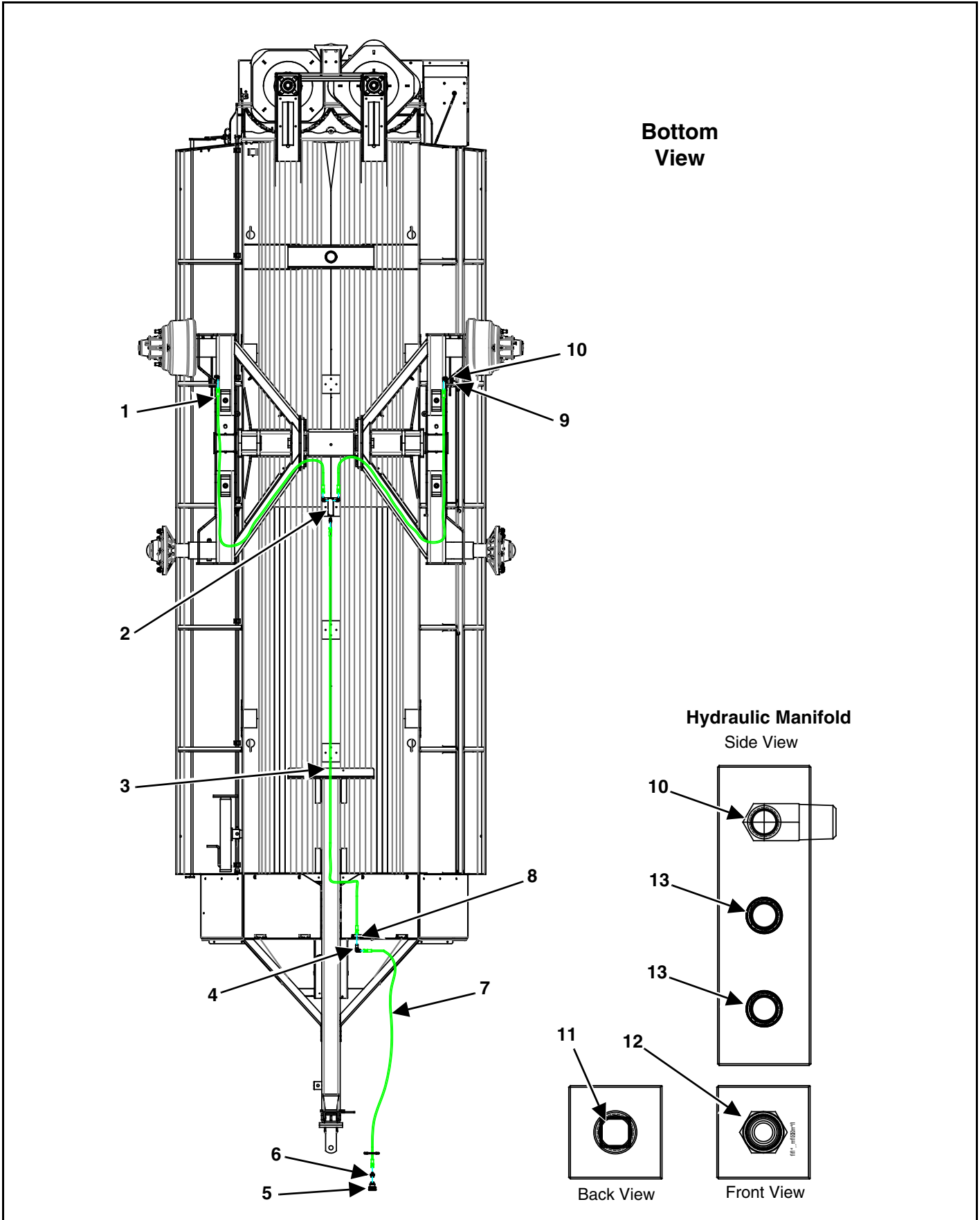
KEY	PART NUMBER	QTY	DESCRIPTION
0	57-0002	1	13" R.H. Free Backing Brake Assembly
	57-0003	1	13" L.H. Free Backing Brake Assembly
1	57-0002-5	1	Shoe Assembly
2	57-0002-3	1	Brake Shoe Assembly
3	57-0003-1	1	Wheel Cylinder Assembly Left
	57-0002-1	1	Wheel Cylinder Assembly Right (Not Shown)

720 FOOT CONTROL BRAKE SCHEMATIC



KEY	PART NUMBER	QTY	DESCRIPTION
1	55-0212	1	Female Flat Face Coupler
2	155-9002-6-8	1	Straight Adapter With O-Ring
3	155-2701-LN-06-06	1	90 Degree Bulkhead With Lock Nut
4	57-0029-17	1	Inverted Flare Full Flow Orifice
5	57-0015	1	30" Brake Line Assembly
	57-0021	1	41" Brake Line Assembly (SN SXI19720236 Only)
6	155-04R17-113-1	1	113" Hose
7	155-04R17-102-1	1	102" Hose
8	33-1016	1	Grommet
9	155-2501-06-04	1	90 Degree Fitting
10	75-2230	1	Brake Actuator Assembly
11	57-0014-2	1	Brake Line Union
12	57-0020	1	90" Brake Line Assembly
13	57-0054	8	16" Brake Hose
	57-0012	8	Hose Bracket Cup
14	57-0069	4	37" Brake Line Assembly
15	57-0053	1	6" Brake Line Assembly
16	57-0071	1	12" Brake Line Assembly
17	57-0013	3	Frame Tee With Cup

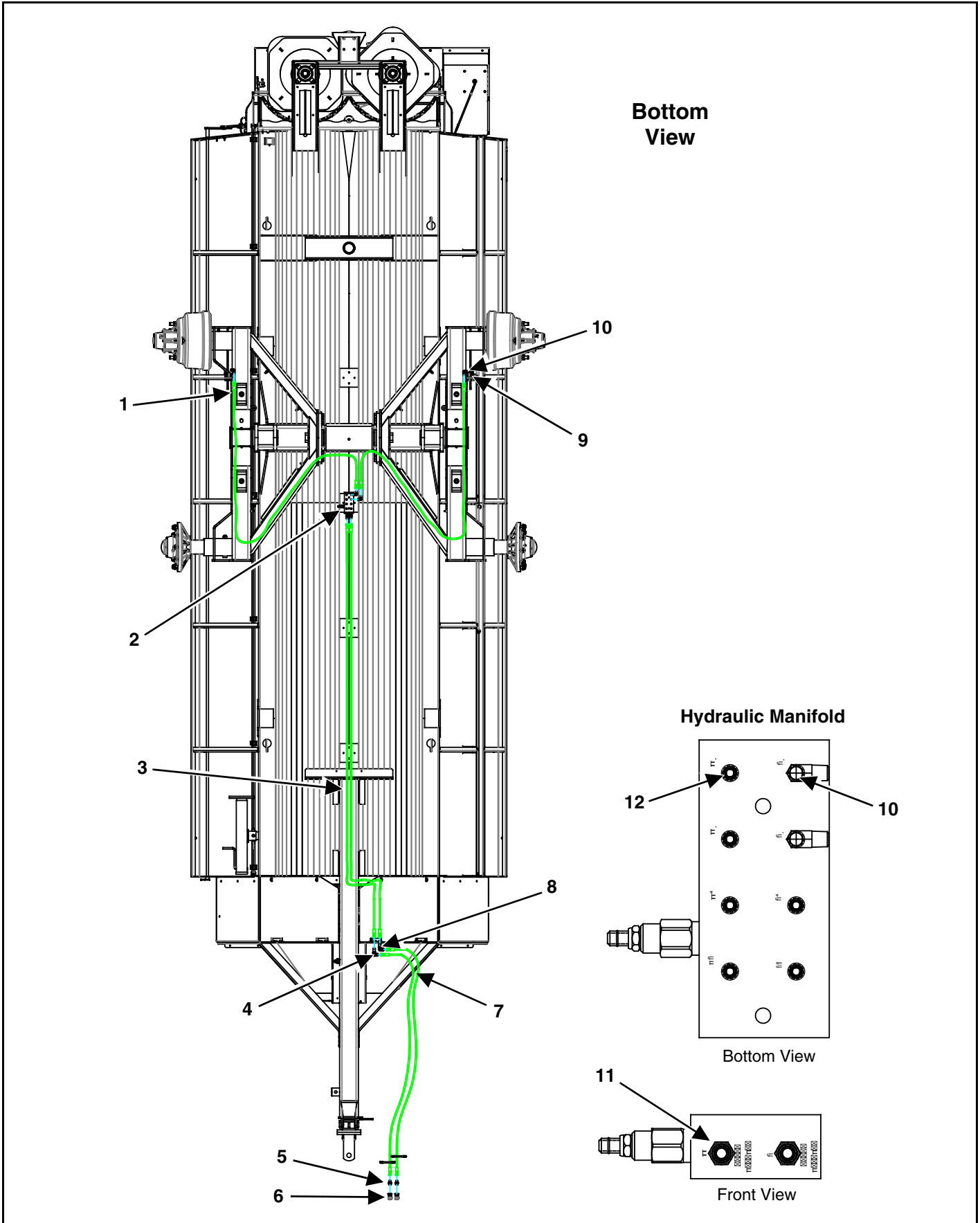
# 865 FOOT CONTROL BRAKE SCHEMATIC





KEY	PART NUMBER	QTY	DESCRIPTION
1	155-04R17-110-1	2	110" Hose
2	57-0050	1	Aluminum Header Manifold Block
3	155-04R17-208-1	1	208" Hose
4	155-2701-LN-06-06	1	90 Degree Bulkhead With Lock Nut
5	55-0212	1	Female Flat Face Coupler
6	155-9002-6-8	1	Straight Adapter With O-Ring
7	155-04R17-113-1	1	113" Hose
8	33-1016	1	Grommet
9	955-3772-SPO	2	Hydraulic Brake Cylinder
10	155-2501-06-04	4	90 Degree Fitting
11	955-3809	1	3/8" Square Head Plug
12	155-2404-06-06	1	Straight Coupler
13	55-0167	4	1/4" Square Head Plug

865 HAND LEVER CONTROL BRAKE SCHEMATIC



KEY	PART NUMBER	QTY	DESCRIPTION
1	155-04R17-110-2	2	110" Hose
2	57-0046	1	Relief Valve Manifold Block
3	155-04R17-208-1	2	208" Hose
4	155-2701-LN-06-06	2	90 Degree Bulkhead With Lock Nut
5	155-6400-6-8	2	Straight Coupler
6	155-8010-15	2	Male Tip 1/2"
7	155-04R17-113-1	2	113" Hose
8	33-1016	2	Grommet
9	955-3772-SPO	2	Hydraulic Brake Cylinder
10	155-2501-06-04	4	90 Degree Fitting
11	155-2404-06-04	2	Straight Adapter
12	55-0167	6	1/4" Square Head Plug



## 11.0 SPECIFICATIONS

DIMENSIONS / SPECIFICATIONS				
	Industrial SXI720 Trailer Type W/550/ 45 x 22.5 Tires	Industrial SXI720 Truck Mount W/ Mount Brackets	Industrial SXI865 Trailer Type W/ 28LX26 Tires	Industrial SXI865 Truck Mount W/ Mount Brackets
<b>CAPACITY</b> Bushels Heaped Gallons/Cu.ft. (struck) Cu. yards. (struck)	<b>720</b> <b>3500/468</b> <b>17.33 cu. yards</b>	<b>720</b> <b>3500/468</b> <b>17.33 cu. yards</b>	<b>865</b> <b>4200/562</b> <b>20.8 cu. yards</b>	<b>865</b> <b>4200/562</b> <b>20.8 cu. yards</b>
<b>DIMENSIONS</b>				
Overall Length	26' 6"	20' 10" w/ Hyd Motor	29' 10"	24' 2" w/Hyd Motor
Inside Tank Length	16' 8"	16' 8"	20'	20'
Loading Height	87" w/550/45 - 425/ 65 - 21.5 89" w/600/50x22.5"	68" plus truck height	89" w/28L x 26	68" plus truck height
Overall Height - Top of splash shield / guard	104" w/550/45 - 425/ 65 - 21.5, 106" w/ 600/50x22.5	85" plus truck height	105" w/28L x 26	85" plus truck height
Overall Width (std. axle) Outside Tires	119" w/550/45x22.5 126" w/600/50x22.5	101"	N/A	101"
Overall Width w/high flotation axle pkg.	142" w/28L x 26	NA	142" w/28L x 26	NA
Top Inside Tank Width	101"	101"	101"	101"
<b>SPECIFICATIONS</b>				
Total Weight	14,680# w/425/65	10,360# est w/PTO drive	17,820#	10,500# est w/PTO drive
Maximum Load Net (Lbs.)	35,200#	35,200#	38,000#	38,000#
Lower Auger Diameter	23"	23"	23"	23"
Lower Auger Flighting Thickness	3/8" sectional	3/8" sectional	3/8" sectional	3/8" sectional
Independent Lower Auger Shear Hub Sprockets	Standard	Standard	Standard	Standard
3rd Auger (solid material)	Standard - 16"	Standard - 16"	Standard - 16"	Standard - 16"
Drive - PTO-RPM	1000 RPM Constant Velocity 1 3/8-21 spline	PTO - Direct Std. Hydraulic - Optional	1000 RPM Constant Velocity 1 3/4-20 spline	PTO - Direct Std. Hydraulic - Optional
Drive Line Protection	Overrunning cut out clutch w/shear bolt augers	Cut out clutch w/ shear bolt augers (PTO version)	Overrunning cut out clutch w/shear bolt augers	Cut out clutch w/ shear bolt augers (PTO version)
Roller Chain Drive - Auger	RT Geardrive / #120- 140	RT Geardrive / #120- 140	RT Geardrive / #120- 140	RT Geardrive / #120- 140
Roller Chain Drive - Expeller	#80	#80	#80	#80
Roller Chain Auto Oiler	Standard	Standard	Standard	Standard
Expeller Speed (RPM)	718 RPM	718 RPM	718 RPM	718 RPM
Expeller Diameter	30"	30"	30"	30"

## DIMENSIONS / SPECIFICATIONS

	<b>Industrial SXI720 Trailer Type W/550/ 45 x 22.5 Tires</b>	<b>Industrial SXI720 Truck Mount W/ Mount Brackets</b>	<b>Industrial SXI865 Trailer Type W/ 28LX26 Tires</b>	<b>Industrial SXI865 Truck Mount W/ Mount Brackets</b>
<b>TANK CONSTRUCTION</b>				
Material	Copper bearing steel	Copper bearing steel	Copper bearing steel	Copper bearing steel
Thickness - Auger Troughs	1/4"	1/4"	1/4"	1/4"
Thickness - Tank Sides	3/16"	3/16"	3/16"	3/16"
Frame Construction	HD Formed Channel	HD Formed Channel	HD Formed Channel	HD Formed Channel
Door Opening	32" x 53"	32" x 53"	32" x 53"	32" x 53"
Standard Axle Spindle Diameter	Standard Tandem 3 1/2" sleeved	NA	N/A	NA
High Flotation Axle Spindle Diameter	Optional Tandem 4 1/2" sleeved	NA	Standard Tandem 4 1/2" sleeved	NA
Standard Axle Hub Size	10 bolt-15,000#	NA	N/A	NA
High Flotation Axle Hub Size	10 bolt-20,000# (opt.)	NA	10 bolt-20,000# (std.)	NA
Splash Shields-Standard	Angled style front / rear	Angled style front / rear	Angled style front / rear	Angled style front / rear
LED transport lights w/ag plug	Standard	Standard	Standard	Standard
Tractor Requirement PTO HP (Min.)	140 HP Tractor	NA	170 HP Tractor	NA
<b>OPTIONS</b>				
1000 RPM 1 3/4"-20 spline	Optional	NA	Standard	NA
Hydraulic Lid	Optional	Optional	Optional	Optional
Poultry Litter Package	Optional	Optional	Optional	Optional
High Flotation Axle Package	Optional	NA	Standard	NA
Hyd. Brakes-HF axle only	Optional (2 or 4 wheel)	NA	Optional (2 or 4 wheel)	NA
Safety Chain	Optional	NA	Optional	NA
Truck Mount Drive Options	NA	PTO - Direct Std. Hydraulic - Opt	NA	PTO - Direct Std. Hydraulic - Opt
Variable Speed Auger Drive	Call	Call	Call	Call





**Meyer Manufacturing Corporation**

674 W. Business Cty Rd A

Dorchester, WI 54425

Phone. 1-800-325-9103

Fax: 715-654-5513

Email: [sales@meyermfg.com](mailto:sales@meyermfg.com)

Website: [www.meyermfg.com](http://www.meyermfg.com)