



XTS TRAILER

Models XTS2200B • XTS2200LB • XTS2200XLB • XTSS2226B
XTS2400B • XTSW2400B • XTS3000B • XTS3000-SB • XTSW3000-SB
XTSS4500B • XTSSW4500B • XTSS4530B • XTSS4536B

Owner / Operator's Manual & Parts Book

Prior To SN 1422XTS207, 1422SS201, 14XTS24210, 14XTS30224,
1445XTS223, 14XTS45204 (Excluding SN 1322264)
(Including SN 17XTS30213)



1.0 IMPORTANT INFORMATION

The serial number is stamped on the front left hand frame tube.

Please enter the model, serial number and additional information in the space provided for future reference.



Model No. _____

Serial No. _____

Date of Purchase _____

Dealership _____

Dealership Phone No. _____

Always use your serial number when requesting information or when ordering parts.

HOW TO READ YOUR SERIAL NUMBER

PRIOR TO 2014 MODEL YEAR

EXAMPLE: 1322238

Model Year / Model / Sequence Of Build



13

22

238

Meyer Manufacturing Corporation
674 W. Business Cty Rd A
Dorchester, WI 54425
Phone: 1-800-325-9103
Fax: 715-654-5513
Email: sales@meyermfg.com
Website: www.meyermfg.com

MODEL YEAR 2014 AND LATER

8100 AND 9100 MODELS

EXAMPLE: 1422XTS223

Model Year / Model / Sequence Of Build



14

22XTS

223

9500 MODELS

EXAMPLE: 14XTS30223

Model Year / Model / Sequence Of Build



14

XTS30

223



2.0 PRE-DELIVERY & DELIVERY CHECK LIST

Check List

Meyer Manufacturing Corporation

Phone: 715-654-5132 • Toll-Free: 1-800-325-9103 • P.O. Box 405 • Dorchester, WI 54425

This Pre-Delivery & Delivery Check List must be gone through by the Selling Party and the Customer to validate the Owner's Registration Form.

PRE-DELIVERY CHECK LIST

After the New Meyer XTS Trailer has been completely set-up, check to be certain it is in correct running order before delivering it to the customer.

The following is a list of points to inspect:

Check off each item as you have made the proper adjustments and found the item operating satisfactorily. Any adjustments made, MUST be according to specifications defined in this manual.

- All shields and guards are in place and securely fastened.
- All bolts and other fasteners are secure and tight.
- All mechanisms operate trouble free.
- All grease fittings have been lubricated. See "Lubrication" section of this manual.
- All decals are in place and legible.

DELIVERY CHECK LIST

The following check list is an important reminder of valuable information that **MUST** be passed on to the customer at the time the unit is delivered.

Check off each item as you explain it to the customer.

- Explain to the customer that pre-delivery check list was fully completed.
- Give customer the Owner & Operator's Manual. Instruct to read and completely understand its contents **BEFORE** attempting to operate the trailer.
- Explain and review with customer the Meyer XTS Trailer manufacturer's warranty.
- Show the customer where to find the serial number on the implement.
- Explain and review with the customer "Safety Precautions" section of this manual.
- Explain and review with customer the proper "Operating Procedures" sections of this manual.
- Explain that regular lubrication and proper adjustments are required for continued proper operation and long life of the trailer. Review with the customer the "Lubrication" and "Adjustments" sections of this manual.
- Fully complete this "PRE-DELIVERY & DELIVERY CHECK LIST" with the customer.



Meyer Manufacturing Corporation

674 W. Business Cty Rd A

Dorchester, WI 54425

Phone: 1-800-325-9103

Fax: 715-654-5513

Email: sales@meyermfg.com

Website: www.meyermfg.com

FARM EQUIPMENT BUYERS TRUST THE NAME MEYER!

3.0 INTRODUCTION

Congratulations on your purchase of a new Meyer farm equipment product. Undoubtedly you have given much consideration to your purchase and we're proud that you have selected Meyer. Pride in craftsmanship, engineering and customer service have made Meyer products the finest in the farm equipment industry today.

There is no substitute for quality. That is why thousands of people like you have purchased Meyer farm equipment. They felt it was the best equipment to serve their farming needs, now and in years to come. We ask that you follow our policy of "safety first", and we strongly suggest that you read through the Owner/Operator's Manual & Parts Book before operating your Meyer farm equipment. Meyer Manufacturing Corporation wants to thank you for not compromising quality. We are determined to offer excellence in customer service as well as provide you with the very best value for your dollar.

Sincerely,

All Employees of

MEYER MANUFACTURING CORPORATION

The PB-ADR manual should be used in conjunction with this manual for the following models: XTSS22-264, XTSSW45-348B, XTSS45-315B and XTSS45-390B.

The PB-MERITOR manual should be used in conjunction with this manual for the following models: XTS22-240B, XTS22-264B, XTS22-280B, XTSW24-228B and XTSW30-276SB.

The Model XTS Trailer may be referred to as equipment, machine, or trailer in this manual.

NOTE: All references to right hand (RH), left hand (LH), front and rear apply to the products as viewed from the rear of the trailer.



IMPORTANT: You are urged to study this manual and follow the instructions carefully. Your efforts will be repaid in better operation and service as well as a savings in time and repair expense. Failure to read this manual and understand the machine could lead to serious injury. If you do not understand instructions in this manual, contact either your dealer or Meyer Manufacturing Corp. at Dorchester, WI 54425.



WARRANTY: At the front of this manual is the Owner's Registration Form. Be sure your dealer has completed this form and promptly forwarded a copy to Meyer Manufacturing to validate the manufacturer's warranty. The product model and serial number are recorded on this form and on the inside of the front cover for proper identification of your Meyer XTS Trailer by your dealer and the manufacturer when ordering repair parts. The serial number is stamped in the front left hand frame tube.



REPAIR PARTS: At the back of this manual is the repair parts section. All replacement parts are to be obtained from or ordered through your Meyer dealership. When ordering repair parts, refer to the parts section and give complete information including quantity, correct part number, detailed description and even models and serial numbers of the trailer which needs repair parts.

Manufacturer's Statement: Meyer Manufacturing Corporation reserves the right to make improvements in design, or changes in specifications at any time, without incurring any obligation to owners of units previously sold. This supersedes all previous published instructions.



TABLE OF CONTENTS

1.0	IMPORTANT INFORMATION	2
2.0	PRE-DELIVERY & DELIVERY CHECK LIST	3
3.0	INTRODUCTION	5
4.0	MANUFACTURER'S WARRANTY	11
5.0	SAFETY	13
5.1	SAFETY PRECAUTIONS	14
5.1.1	Farm Implement Tires	15
5.2	SAFETY SIGNS	16
5.3	SHUTOFF & LOCKOUT POWER	19
5.3.1	Shutoff & Lockout Power Recommendations	19
6.0	PRE-OPERATION	21
6.1	PRODUCT INSPECTION	21
6.1.1	Before Operating The XTS Trailer	21
6.1.2	General Inspection	22
6.2	HITCHING TO TRACTOR	22
6.3	START-UP AND SHUT-DOWN	22
6.3.1	Start-Up	23
6.3.2	Shut-Down	23
6.4	OPERATIONAL CHECKS	23
6.5	TRANSPORTING	24
6.5.1	Safety Chain	26
6.5.2	Trailer Brake Information	27
6.5.2.1	Lever Operated Hydraulic Brakes	27
6.5.2.2	Pedal Operated Hydraulic Brakes	27
6.5.2.3	Air Operated Brakes	27
6.5.3	Reverse Lock Instruction	27
6.5.4	Tractor Towing Size Requirements	28
7.0	OPERATION	29
7.1	LOADING	29
7.2	UNHOOKING THE TRACTOR	30
7.3	OPERATION (XTSS 22/45 MODELS)	31
7.3.1	Locking Steering Axle	31
7.3.2	Oil Gear, ADR - Colaert Essieux Hydraulic Systems	31

8.0	MAINTENANCE	33
8.1	LUBRICATION	33
8.2	INSPECTION	35
8.3	SUSPENSION TORQUE REQUIREMENTS	35
8.4	WHEEL TORQUE REQUIREMENTS	36
8.5	FARM IMPLEMENT TIRES	36
8.5.1	Tire Inflation	37
8.6	BRAKES	37
8.6.1	Brake Adjustment	37
8.7	STORING THE TRAILER	38
8.8	RETURNING THE TRAILER TO SERVICE	38
9.0	PARTS REPAIR AND REPLACEMENT	39
9.1	REPLACEMENT PARTS	39
9.1.1	Shutoff & Lockout Power Recommendations	39
9.2	XTS TRAILER PARTS	41
	TRAILER ASSEMBLY	42
	TRAILER ASSEMBLY	44
	SUSPENSION	46
	TRAILER ASSEMBLY	48
	TRAILER ASSEMBLY	50
	SUSPENSION	52
	WHEEL END PARTS	54
	TRAILER ASSEMBLY	56
	SUSPENSION	58
	STEERING AXLE WHEEL END COMPONENTS	
	XTSS2226B, XTSSW4500B, XTSS4530B, XTSS4536B	60
	STEERING COMPONENTS	
	XTSS2226B, XTSSW4500B, XTSS4530B, XTSS4536B	62
	AXLE COMPONENTS, RIGID AXLE	
	XTSS2226B, XTSSW4500B, XTSS4530B, XTSS4536B	64
	HYDRAULIC BRAKE SYSTEM, FOOT PEDDLE CONTROL (FPC)	
	XTS-24, XTS-30, XTS-22XL BRAKE-FPC	66
	HYDRAULIC BRAKE SYSTEM, HAND LEVER CONTROL (HLC)	
	XTS-24, XTS-30, XTS-22XL BRAKE-HLC	68

HYDRAULIC BRAKE SYSTEM, FOOT PEDDLE CONTROL (FPC) XTSS-45-BRAKE-FPC	70
HYDRAULIC BRAKE SYSTEM, HAND LEVER CONTROL (HLC) XTSS-45-BRAKE-HLC	72
HYDRAULIC STEERING LOCKOUT SYSTEM	74
10.0 SPECIFICATIONS	77
SUSPENSION TRAILER SPECIFICATIONS	77
MAINTENANCE RECORD	79



4.0 MANUFACTURER'S WARRANTY

MEYER XTS TRAILER

- I. The "Product Registration & Inspection Certificate" along with the original billing invoice "Owner's Registration Form" must be completed in full and promptly returned to Meyer Mfg. Corp. for this warranty to become both valid and effective. All warranties on New Meyer XTS Trailers shall apply only to the original retail customer from an authorized Meyer Mfg. Corp. dealership.
- II. This warranty shall not apply to any Meyer Trailer which has been subjected to misuse, negligence, alteration, accident, incorrect operating procedures, or which shall have been repaired with parts other than those obtained through Meyer Mfg. Corp.
- III. Meyer Mfg. Corp. warrants New Meyer Trailers to be free from defects in material and workmanship under recommended use and maintenance service, as stated in the Operator's and Parts Manual, as follows:
 - A. Meyer Mfg. Corp. will repair or replace F.O.B. Dorchester, WI, as Meyer Mfg. Corp. elects, any part of a new Meyer Trailer which is defective in material or workmanship:
 - i. Without charge for either parts or labor during the first (1) year from purchase date to the original retail customer.
 - ii. Without charge for parts only during the second (2) year from purchase date to the original retail customer.
 - B. In addition to the above basic warranty, Meyer Mfg. Corp. will repair or replace F.O.B. Dorchester, WI as Meyer Mfg. Corp. elects:
 - i. Any part of the following which is defective in material or workmanship (not neglect to recommended use and service) without charge for parts only (not labor) during the stated time periods from date of purchase to the original retail customer:
- IV. COMMERCIAL USE: Coverage as in paragraph III.A.1. ONLY, except warranty coverage is for (90) days for parts and labor to the original commercial retail customer.
- V. Repairs eligible for labor warranty must be made by Meyer Mfg. Corp. or an authorized Meyer dealership. The original retail customer is responsible for the transportation of the forage box to the dealership for warranty service or for any service call expenses.
- VI. Except as stated above, Meyer Mfg. Corp. shall not be liable for injuries or damages of any kind or nature, direct, consequential, or contingent, to persons or property. This warranty does not extend to loss of crop or for any other reasons.
- VII. No person is authorized to give any other warranties or to assume any other obligation on Meyer Mfg. Corp.'s behalf unless made or assumed in writing by Meyer Mfg. Corp. This warranty is the sole and exclusive warranty which is applicable in connection with the manufacture and sale of this product and Meyer Mfg. Corp.'s responsibility is limited accordingly.

Tires, tarps, and scales are the original manufacturer's warranty.



5.0 SAFETY

The Meyer XTS Trailer is manufactured with operator safety in mind. Located on the trailer are various safety signs to aid in operation and warn of hazardous areas. Pay close attention to all safety signs on the trailer.

Carefully follow the operating and maintenance instructions in this manual and all applicable safety laws. Failure to follow all safety procedures may result in serious injury or death.

Before attempting to operate the trailer, read and study the following safety information. In addition, make sure that every individual who operates or works with the trailer, whether family member or employee, is familiar with these safety precautions.

Meyer Mfg. Corp. provides guards for exposed moving parts for the operator's protection; however, some areas cannot be guarded or shielded in order to assure proper operation. The operator's manual and safety signs on the trailer itself warn you of hazards and must be read and observed closely!



Safety Alert Symbol

This symbol is used to call attention to instructions concerning personal safety. Be sure to observe and follow these instructions. Take time to be careful!



DANGER

The signal word **DANGER** on the machine and in the manual identifies a hazardous situation which, if not avoided, WILL result in death or serious injury.



WARNING

The signal word **WARNING** on the machine and in the manual indicates a potentially hazardous situation which, if not avoided, COULD result in death or serious injury.



CAUTION

The signal word **CAUTION** on the machine and in the manual indicates a potentially hazardous situation which, if not avoided, MAY result in minor or moderate injury. It may also be used to alert against unsafe practices.

IMPORTANT

This notice identifies procedures which must be followed to avoid damage to the machine.

Danger, Warning, Caution, and instructional decals and plates are placed on the equipment to protect anyone working on or around this machine, as well as the components of the machine. All personnel operating or maintaining this equipment must familiarize themselves with all Danger, Warning, Caution, and instructional decals and plates.

5.1 SAFETY PRECAUTIONS



All individuals who will operate this trailer must read and completely understand this manual. Operator must have instructions before operating the machine. Untrained operators can cause injury or death.

- The PB-ADR manual should be used in conjunction with this manual for the following models: XTSS22-264, XTSSW45-348B, XTSS45-315B and XTSS45-390B.
- The PB-MERITOR manual should be used in conjunction with this manual for the following models: XTS22-240B, XTS22-264B, XTS22-280B, XTSW24-228B and XTSW30-276SB.
- DO NOT allow anyone to operate, service, inspect or otherwise handle this equipment until all operators have read and understood all of the instructional materials in this manual and have been properly trained in its intended usage.
- For an operator to be qualified, he or she must not use drugs or alcohol which impair alertness or coordination while working. An operator who is taking prescription drugs must get medical advice to determine if he or she can safely operate a machine and the equipment.
- Make sure all personnel can READ and UNDERSTAND all safety emblems.
- DO NOT allow minors (children) or inexperienced persons to operate this trailer.
- DO NOT operate until all shields and guards are in place and securely fastened.
- DO NOT step up on any part of the trailer at any time.
- DO NOT adjust, clean or lubricate while the trailer is in motion.
- Inspect when first delivered and regularly thereafter; that all connections and bolts are tight and secure before operating.
- Make certain area is clear of people, tools, and other objects before moving the trailer.
- Keep hands, feet and clothing away from moving parts. Loose or floppy clothing should not be worn by the operator.
- Observe all applicable traffic laws when transporting on public roadways (where legal to do so). Check local laws for all highway lighting and marking requirements.
- Always enter curves or drive up or down hills at a low speed and at a gradual steering angle.
- Never allow riders on either tractor / truck or equipment.
- Keep tractor / truck in a lower gear at all times when traveling down steep grades.
- Maintain proper brake settings at all times (if equipped).
- Stay away from overhead power lines. Electrocution can occur without direct contact.
- Use only properly rated undercarriage and tires.

Safety Precautions For Tractor Towed Units:

- Do not exceed 20 mph (32 kph). Reduce speed on rough roads and surfaces.
- Always install a SMV emblem on pull-type equipment when transporting on roadways and keep clean and bright.
- Always yield to oncoming traffic in all situations and move to the side of the road so any following traffic may pass.

Safety Precautions For Hydraulic System:

- Check hydraulic tubes, hoses and fittings for damage and leakage. Never use hands to check for leaks. Hydraulic tubes and hoses must be properly routed and have adequate support and secure clamps. Tighten or replace any parts that show leakage.
- Always clean fluid spills. Do not use gasoline or diesel fuel for cleaning parts. Use commercial nonflammable solvents.

5.1.1 Farm Implement Tires

Recommended Safety Precautions

- Always remove the valve core and deflate the tire before any work is performed.
- Always use the proper and approved tools to demount and mount the tire.
- Always inspect all rim/wheel parts for wear, damage, cracks, rust or mismatched components.
- Always destroy damaged or unserviceable parts.
- Always inspect the tube and tire for cord or side damage, cuts or wear. Unrepairable damaged items must be discarded.
- Always check for mismatched components or tire and wheel sizes.
- Always lubricate tire with a non-flammable tire lubricant approved for that purpose.
- Always place tire and wheel in inflation cage or restraining device before inflating beyond 5 PSI.
- Always use an extension hose with a PSI gauge and clip on chuck when inflating the tire so you can stand to one side.

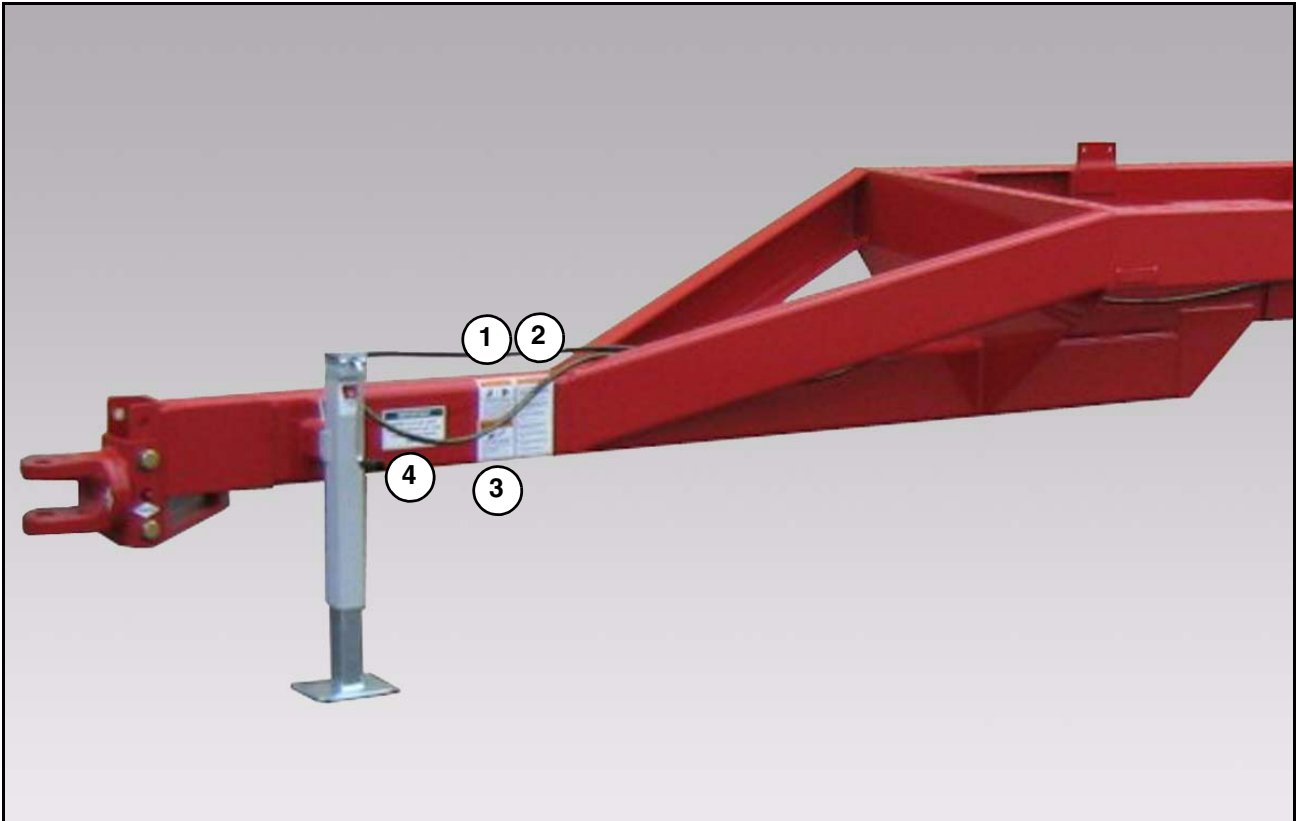
Non - Recommended Safety Precautions

- Never work on a tire / wheel assembly before removing the valve core and completely deflating.
- Never re-inflate a tire that has been run flat or in an under inflated condition before removing and inspection.
- Never reuse damaged, defective, worn or mismatched parts.
- Never rework, weld, heat or braze any rim / wheel parts for any reason.
- Never inflate any tire beyond 40 PSI to seat the beads. If beads are not seated at 40 PSI. STOP! Deflate and determine problem.
- Never hammer, strike or pry on a rim / wheel assembly that contains any inflation pressure.
- Never inflate a tire without using an inflation cage or restraining device.
- Never inflate beyond the maximum PSI specified for the tire or rim.

5.2 SAFETY SIGNS



Read all safety signs on the trailer and in this manual. Keep all safety signs clean and replace any damaged or missing safety signs before operating the equipment. Do Not remove any safety signs. Safety signs are for operator protection and information.



⚠ WARNING



CRUSHING HAZARD

To prevent serious injury or death:

- Keep hands and body out of hitch area when attaching towing vehicle.
- Keep body clear of crush point between towing vehicle and load.

46-0800-6

1

PART NO. 46-0800-6

⚠ CAUTION

To prevent serious injury or death:

- Read and understand owner's manual before using. Review safety precautions annually.
- Observe all applicable traffic laws when transporting on public roadways (where legal to do so). Check local laws for all highway lighting and marking requirements.
- Securely attach to towing unit. Use a high strength appropriately sized hitch pin with a mechanical retainer and attach safety chain.
- Do not exceed the chassis or tire load rating. Maximum gross weight is the lesser of the two.
- Do not exceed 20 mph (33 kph). Slow down for corners and rough terrain.
- Do not drink and drive.
- No riders allowed when transporting.
- Before moving running gear, be sure required lights and reflectors are installed and working.
- Before maintenance or repair, stop vehicle, set tractor parking brake, and remove ignition key.
- Place safety stands under frame and chock wheels before working on tires or running gear.
- Maintain wheel bolts at torque as recommended in the manual. If equipped with brakes, maintain proper adjustment.

46-0800-8 1

2

PART NO. 46-0800-8

⚠ WARNING



RUN-AWAY HAZARD

To prevent serious injury or death:

- Shift to lower gear before going down steep grades.
- Keep towing vehicle in gear at all times.
- Never exceed a safe travel speed.

46-0800-7 1

3

PART NO. 46-0800-7

4


IMPORTANT

Trailer is to be used for agricultural use only. Travel only at tractor speeds.

46-2400-2

PART NO. 46-2400-2

⚠ WARNING



OIL INJECTION HAZARD

RELIEVE PRESSURE BEFORE SERVICING.

DO NOT CHECK WITH HANDS.

IF INJURED SEEK EMERGENCY MEDICAL ATTENTION.

46-8500-7 1

PART NO. 46-8500-7

⚠ CAUTION

TO PREVENT SERIOUS INJURY OR DEATH

- **DO NOT** start, operate, or work on this machine without first carefully reading and thoroughly understanding the entire contents of the operators manual. (Require the same of all personnel who will operate this machine.)
- If operators manual is lost, contact your nearest Meyer Dealership or write or call:
 - MEYER MFG., CORP.
 - P.O. BOX 405 • Dorchester, WI 54425-0405
 - Phone 1-800-325-9103

Please give your name, address, phone number, model and serial number of your machine. A manual will be furnished.

- If you have any questions about operation or adjustments, and maintenance of this machine, contact your Meyer Dealership or Meyer Mfg., Corp. before starting or continuing the operation of this machine.

46-0001-35

PART NO. 46-0001-35



5.3 SHUTOFF & LOCKOUT POWER

Any individual that will be adjusting, servicing, maintaining, or clearing an obstruction from this machine needs to ensure that this machine stays safely “OFF” until the adjustment, service, or maintenance has been completed, or when the obstruction has been cleared, and that all guards, shields, and covers have been restored to their original position. The safety of all individuals working on or around this machine, including family members, are affected. The following procedure will be referred to throughout this manual, so be familiar with the following steps.

5.3.1 Shutoff & Lockout Power Recommendations

1. Think, Plan and Check

- a. **Think** through the entire procedure and identify all the steps that are required.
- b. **Plan** what personnel will be involved, what needs to be shut down, what guards / shields need to be removed, and how the equipment will be restarted.
- c. **Check** the machine over to verify all power sources and stored energy have been identified including engines, hydraulic and pneumatic systems, springs and accumulators, and suspended loads.

2. **Communicate** - Inform everyone involved, including those working on or around this machine, that work is being done which involves keeping this machine safely “OFF”.

3. Power Sources

- a. **LOCKOUT** - Shut off engines and take the key, or physically lock the start/on switch or control. Disconnect any power sources which are meant to be disconnected (i.e. electrical, hydraulic, and PTO of pull-type units).
- b. **TAGOUT** - Place a tag on the machine noting the reason for the power source being tagged out and what work is being done. This is particularly important if the power source is not within your sight and/or will need to be isolated for a longer period of time.

4. **Stored Energy** - Neutralize all stored energy from its power source. Ensure that this machine is level, set the parking brake, and chock the wheels. Disconnect electricity, block moveable parts, release or block spring energy, release pressure from hydraulic and pneumatic lines, and lower suspended parts to a resting position.

5. **Test** - Do a complete test and personally double check all of the above steps to verify that all of the power sources are actually disconnected and locked out.

6. **Restore Power** - When the work has been completed, follow the same basic procedures, ensuring that all individuals working on or around this machine are safely clear of the machine before locks and tags are removed and power is restored.

IMPORTANT

It is important that everyone who works on this equipment is properly trained to help ensure that they are familiar with this procedure and that they follow the steps outlined above. This manual will remind you when to Shutoff & Lockout Power.



6.0 PRE-OPERATION



CAUTION

DO NOT allow anyone to operate, service, inspect or otherwise handle this trailer until all operators have read and understand all of the instructional materials in this manual and have been properly trained in its intended usage.

Verify that the trailer is securely fastened to the tractor / truck.

Verify that all connections and bolts / hardware are tight and securely fastened before operating the trailer.

Always keep all shields and guards in place and securely fastened.

Keep hands, feet and clothing away.

Wear safety glasses to prevent eye injury when any of the following conditions exist:

- When fluids are under pressure.
- Flying debris or loose material is present.
- Tools are being used.

Failure to heed may result in serious personal injury or death.

6.1 PRODUCT INSPECTION



WARNING

Before using any equipment equipped with brakes the operation of the brakes should be checked. Failure to heed may result in serious personal injury or death.

6.1.1 Before Operating The XTS Trailer

Before operating the trailer for the first time and each time thereafter, check the following items:

1. Inspect the trailer for proper adjustments. (See 8.2 INSPECTION on page 35.)
2. Lubricate the equipment. (See 8.1 LUBRICATION on page 33.)
3. Make sure that all guards and shields are in place, secured and functioning as designed.
4. Check tires for proper inflation.
5. Check that the brakes are clean and clean them if necessary.

6.1.2 General Inspection



Inspect the chassis' axles, o-beams, spindles, tires, hitches, all safety shielding, safety signs and safety lighting regular. These parts if not watched closely, could pose potential injury or death. If any part is found in need of repair, follow the SHUTOFF & LOCKOUT POWER recommendations and have qualified personnel repair immediately.

Check to see that no obstructions are present on the trailer prior to use. Be sure that there are no tools laying on the trailer.

NOTE: The PTO horsepower requirements may not reflect adequate tractor size for towing the machine. Refer to tractor weight requirements for these recommendations and safety section for additional tractor and towing requirements.

See your Trailer / Chassis manual for further product safety and maintenance details.

6.2 HITCHING TO TRACTOR

Move to the operator's position, start the engine and release the parking brake.



Do not allow anyone to stand between the tongue or hitch and the tractor when backing up to the Trailer.

Move the tractor in front of the trailer. Slowly move the tractor backwards towards the trailer and align the drawbar with the implement's hitch.

NOTE: Lower or raise the trailer jack to properly align the drawbar and hitch.

Fasten the trailer hitch to the tractor drawbar with a properly sized hitch pin with safety retainer. (Reference ANSI/ASABE AD6489-3 Agricultural vehicles - Mechanical connections between towed and towing vehicles - Part 3: Tractor drawbar.) (See your Trailer / Chassis manual for further details.)

Before operation and after hitching the tractor to the implement, connect the light cords or any optional equipment connections to the tractor.

6.3 START-UP AND SHUT-DOWN



DO NOT allow anyone to operate, service, inspect or otherwise handle this trailer until all operators have read and understand all of the instructional materials in this Operator's And Parts Manual and have been properly trained in its intended usage.

Before operating the trailer, look in all directions and make sure no bystanders, especially small children are in the work area.



Disengage the hydraulic power, engage the machine's parking brake, stop the engine and make sure all moving components are completely stopped before connecting, disconnecting, adjusting or cleaning this equipment.

Always keep all shields and guards in place and securely fastened.

Keep hands, feet and clothing away.

6.3.1 Start-Up

Enter the tractor or truck and start the engine.

Slowly engage the PTO / hydraulics and operate at idle speed.

Have a second person visually inspect that the trailer is operating properly.

Disengage the PTO / hydraulics and stop the engine.

6.3.2 Shut-Down

Disengage the PTO / hydraulics.

Park the tractor / truck on a flat, level surface.

Engage the parking brake, stop the engine and exit the tractor or truck.

6.4 OPERATIONAL CHECKS



WARNING

Before operating the trailer, look in all directions and make sure no bystanders, especially small children are in the work area.

Adjust and lubricate equipment as needed. (See 8.2 INSPECTION on page 35.) & (See 8.1 LUBRICATION on page 33.)

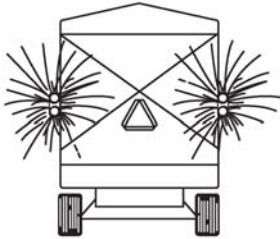
6.5 TRANSPORTING

CAUTION

AVOID SERIOUS INJURY OR DEATH

- Read and understand owner's manual before using. Review safety precautions annually.
- Before operating the trailer, look in all directions and make sure no bystanders, especially small children are in the work area.
- No riders allowed when transporting.
- Do not drink and drive.
- Before moving, be sure required lights and reflectors are installed and working.
- Before maintenance or repair, stop vehicle, set parking brake, and remove ignition key.
- Place safety stands under frame and chock wheels before working on tires or chassis.
- Maintain wheel bolts at torque as recommended in the manual.
- If equipped with brakes, maintain proper adjustment.

CAUTION



Pull-Type Units

- Use flashing warning lights when transporting on ALL highways (public roadways) at ALL times (Tractor towed models) EXCEPT WHEN PROHIBITED BY LAW! (Check w/local law enforcement)
- By all state and federal laws, implement lights do not replace the SMV (Slow-Moving Vehicle) identification emblem. All towed agricultural vehicles must display SMV Emblems when traveling LESS than 20 mph (32 kph).
- Check for traffic constantly. Be sure you can see that no one is attempting to pass you and that all traffic is sufficiently clear from you before making any turns.
- Securely attach to towing unit. Use a high strength appropriately sized hitch pin with mechanical retainer and attach safety chain.
- Do not exceed 20 mph (32 kph). Slow down for corners and rough terrain.

WARNING



To Prevent Serious Injury Or Death

- Keeps hands and body out of the hitch area when attaching towing vehicle.
- Keep body clear of crush point between towing vehicle and load.

WARNING



To Prevent Serious Injury Or Death

- Shift to lower gear before going down steep grades.
- Avoid traveling on slopes or hills that are unsafe.
- Keep towing vehicle in gear at all times.
- Never exceed a safe travel speed (which may be less than 20 mph.).



WARNING

You must observe all applicable traffic laws when transporting on public roadways. Check local laws for all highway lighting and marking requirements. Failure to heed may result in serious personal injury or death.



WARNING

(Tractor Powered) Do not tow at speeds in excess of 20 mph. Failure to heed may result in serious personal injury or death.

IMPORTANT

Trailer is to be used for agriculture use only. Travel only at tractor speeds.

IMPORTANT

The PB-ADR manual should be used in conjunction with this manual for the following models: XTSS22-264, XTSSW45-348B, XTSS45-315B and XTSS45-390B.

The PB-MERITOR manual should be used in conjunction with this manual for the following models: XTS22-240B, XTS22-264B, XTS22-280B, XTSW24-228B and XTSW30-276SB.

IMPORTANT

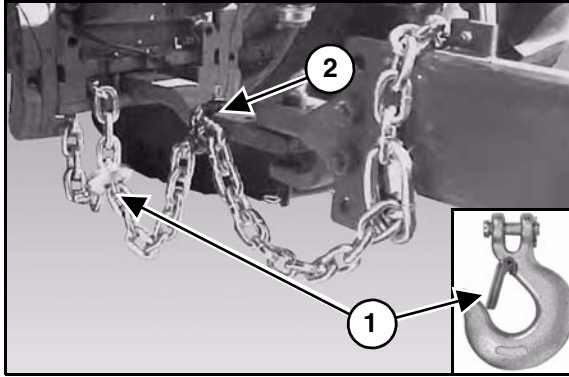
If you will travel on public roads and it is legal to do so, you must know all rules governing such operation. This will include lighting and brake requirements in addition to traffic rules.

NOTE: An Optional Highway Lighting Package is available to assist in meeting these requirements. See your Meyer Dealer for Details.

6.5.1 Safety Chain



A safety chain must be installed to retain the connection between the tractor (or other towing vehicle) and implement whenever traveling on public roads in case the hitch connection would separate.



The chain must be of adequate size to hold the weight of the loaded trailer.

NOTE: If using a grab hook at the end(s) of the chain to secure the chain to itself, a hook latch (Item 1) must be installed.

The length of the safety chain is not to be any longer than necessary to turn without interference. If any chain links or attachment hardware are broken or stretched, repair before using. Store chain so it does not corrode or become damaged. Do not use this chain for other implements because the strength and length of the chain may not be adequate. Identify this chain for use on this particular trailer.

NOTE: Do not use the intermediate support (Item 2) as the attaching point.

IMPORTANT

If you do not have a safety chain, or a replacement safety chain is needed, see your local Meyer dealer and do not operate on public roads until you are able to travel with the safety chain properly installed.

6.5.2 Trailer Brake Information

Three optional brake systems are offered for your trailer. A brake system is recommended for any trailer operated on public roads and may be a requirement.

6.5.2.1 Lever Operated Hydraulic Brakes

This brake system is connected to the tractor remote hydraulic ports and is controlled by the tractor hydraulic system. The two hose system has a hydraulic manifold with pressure relief to prevent the pressure to the brake activating cylinders to exceed the relief valve setting.

Applying hydraulic pressure from the tractor causes tractor hydraulic fluid to flow under pressure to the pressure relief valve and activates the brake activating cylinders to apply the brakes.

Applying The Brakes - Gradually move the tractor spool valve lever as required to apply the brake. The hydraulic hoses should be connected to the tractor ports so the spool valve lever gives the expected response. Test this after hooking up. If response is opposite of expected, reverse the hoses.

Releasing The Brakes - Move the tractor spool valve lever to the opposite direction and hold momentarily. Then return lever to the “float” position.

NOTE: Simply returning the spool valve lever to the neutral position without first moving the lever to the opposite position will not release the brakes.

IMPORTANT

When brakes are not required, the spool valve lever must be in the “float” position on the tractor spool valve.

6.5.2.2 Pedal Operated Hydraulic Brakes

This brake system is a one hose system. The single hydraulic hose must be connected to the tractor remote pedal port.

Applying The Brakes - Gradually apply the tractor brake pedal to apply the brakes.

Releasing The Brakes - Release the tractor brake pedal to release the brakes.



CAUTION

At no time should the brake system be used as a parking brake. With loss of hydraulic pressure, the brakes will lose their holding power.

6.5.2.3 Air Operated Brakes

Connect the control line (blue) from your truck air supply to the blue gladhand on the trailer. Connect the tank supply line (red) to the red gladhand on the trailer.

Applying The Brakes - Release air pressure to apply the brakes.

Releasing The Brakes - Apply air pressure to release the brakes.

IMPORTANT

If it is necessary to move the trailer and air pressure is not available to release the brakes, the air brake linkage must be adjusted to mechanically release the brakes.

6.5.3 Reverse Lock Instruction

Connect the hydraulic hoses to a bank on your tractor. Apply pressure to extend the cylinders. This will lock the steering axles in a straight position to allow you to back up. When you are done backing up, return the cylinders to their retracted position.

6.5.4 Tractor Towing Size Requirements

Use the following charts to help calculate the minimum tractor weight when towing without implement brakes. The minimum tractor weight, up to 20 mph (32 kph) needs to be two-thirds of the box Gross Weight (GW). Gross Weight is calculated by the empty weight of the box and undercarriage combined added to the Load Weight. Then take the Gross Weight and multiply it by 0.667 and you will get the Minimum Required Weight of the Tractor.

Gross Weight

TRAILER WEIGHT, EMPTY (LBS)		UNDERCARRAIGE WEIGHT (LBS)		LOAD (LBS)		GROSS WEIGHT (GW) (LBS)
	+		+		=	GW
	+		+		=	

Minimum Required Weight of the Tractor

$\frac{2}{3}$		GROSS WEIGHT (GW) (LBS)		MINIMUM TRACTOR WEIGHT (LBS)
0.667	x	GW	=	TW
	x		=	

7.0 OPERATION



DO NOT allow anyone to operate, service, inspect or otherwise handle this trailer until all operators have read and understand all of the instructional materials in this Operator's And Parts Manual and have been properly trained in its intended usage.

Before operating the trailer, look in all directions and make sure no bystanders, especially small children are in the work area.

Do not climb or step on any part of the trailer at any time.

Turn on level ground. Slow down when turning.

Go up and down slopes, not across them.

Keep the heavy end of the machine uphill.

Do not overload the machine.

Check for adequate traction.



7.1 LOADING



Shutoff and lockout power before adjusting, servicing, maintaining, or clearing an obstruction from this machine. Failure to heed may result in serious personal injury or death.

IMPORTANT

Overloading may cause failure of axles, tires, structural members, hitches, loss of vehicle control. **DO NOT** exceed maximum gross weight. (See 10.0 SPECIFICATIONS on page 77.)

IMPORTANT

Loading the trailer evenly from the front to rear will ensure there is downward force on the tractor hitch and provide traction for the tractor wheels.

NOTE: Overloading can have detrimental effects on the integrity of the implement and it's safe use. Some materials such as soybeans may not be able to be filled to struck level. Overloading will void warranty and increase risk to the operator's safety. Always be aware of your gross weight.

MAXIMUM TRAILER GROSS WEIGHTS	
MODEL	MAXIMUM GROSS WEIGHT (LBS)
XTS2200B	46,000
XTS2200LB	
XTS2200XLB	
XTSS2226B	
XTSW2400B	48,000
XTSW3000-SB	60,000
XTSSW4500B	90,000
XTSS4530B	
XTSS4536B	

NOTE: Maximum Gross Weight applies only when equipped with properly rated tires.

7.2 UNHOOKING THE TRACTOR

1. Park the implement on level ground. Put the tractor controls in neutral, set the parking brake, and turn the engine off before dismounting.
2. Place wheel chocks in front and in back of the implement wheels on opposite sides to prevent the implement from rolling after the tractor is unhooked.
3. Remove the light cords and any optional equipment connections.
4. Remove the jack from the storage mount and install it on the hitch tongue. Crank the jack down until the hitch lifts off the tractor draw bar.



WARNING

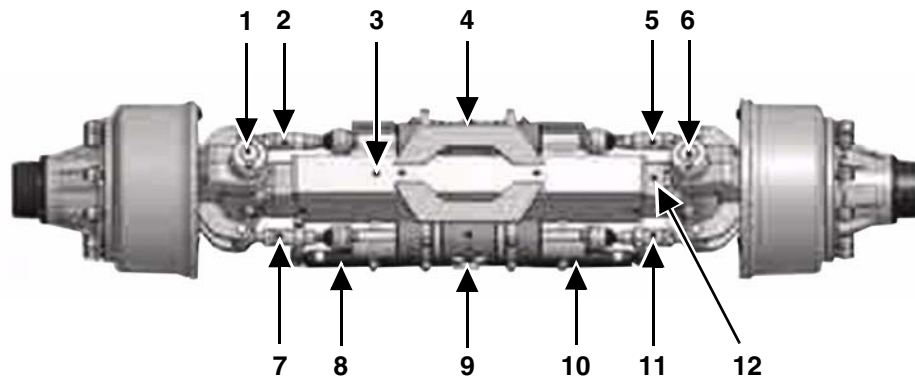
Jack may not be designed to support the implement when it is loaded.

5. Remove the hitch pin.
6. Unhook safety chain from tractor drawbar and intermediate support.
7. Slowly drive the tractor away from the implement.

7.3 OPERATION (XTSS 22/45 MODELS)

7.3.1 Locking Steering Axle

****These numbers are for example only.**



Manual Self-Steering Axle

The self steering axle consists of a fixed part, (Item 1), called the sleeve, that is fixed to the suspension and a moving part comprising of several parts:

- Two sets of arms swinging in relation to two pivot points (Item 3).
- One solid axle body (Item 2), sliding in the sleeve.
- Two connecting links (one at the front (Item 4), and one at the rear (Item 5) which are held by hydraulic cylinders (Items 6 & 7) and depend on the direction of vehicle movement.

The arms and the body form a directional assembly, connected by two connecting links enabling forward or reverse operation of the axle, alternately and depending on the locking (front or rear). When the towed vehicle exercises a force to steer the wheels with one of the connecting links locked, the body slides in the sleeve allowing the links to move in the direction of movement of the vehicle.

To Engage Forward Movement: The locking of the front cylinder(s) (Item 6) immobilizes the front connecting link (Item 4) completely. The rear connecting link (Item 5) remains free, the cylinder(s) (Item 7), are not under pressure. In this configuration the self steering axle operates like a conventional trailing axle. It follows the movement of the vehicle. The shock absorber(s) (Item 8), attached to the rear connecting link and the sleeve have the effect of damping unwanted movement and stabilizing the units, especially when traveling in a straight line.

To Engage Reverse Movement: The locking of the rear cylinder(s) (Item 7) immobilizes the rear connecting link (Item 5) completely. The front connecting link (Item 4) becomes free by the release of the cylinder(s) at the front (Item 6). In this configuration the self steering axle operates in the same way as it does in forward drive. It follows the movement of the vehicle.

Figure above shows the latest version of the self steering axle with two locking cylinders in the connecting links; the previous version was fitted with four single acting locking cylinders, two at the front and two at the rear.

Important Reminder: The design and construction of the hydraulic cylinder control are the responsibility of the vehicle manufacturer. For all additional information refer to the vehicle manual.

7.3.2 Oil Gear, ADR - Colaert Essieux Hydraulic Systems

Manual Control System of Steering Axles

The adjusting unit is located on the trailer and it is enabled by the operator on the ground. It is suitable for STB and STJ steering systems and it is compatible with the previous STC system as well. It allows adjusting separately the two supply lines of the steering axle and it includes in one block the ball valves, the accumulators and the pressure gauges. The system can be fed by the tractor or by an auxiliary pump on the trailer.



8.0 MAINTENANCE



WARNING

Before servicing this equipment, insure that all personnel, including family members are familiar with the equipment and the safety hazards that are present, along with the safety practices that should be observed while working in this equipment.



WARNING

Before servicing or inspecting this trailer, have it hitched to a tractor with engine off, keys removed and parking brake set or chock all four wheels of trailer.

IMPORTANT

Fluid such as hydraulic fluid, grease, etc. must be disposed of in an environmentally safe manner. Some regulations require that certain spills and leaks on the ground must be cleaned in a specific manner. See local, state and federal regulations for the correct disposal.

The PB-ADR manual should be used in conjunction with this manual for the following models: XTSS22-264, XTSSW45-348B, XTSS45-315B and XTSS45-390B.

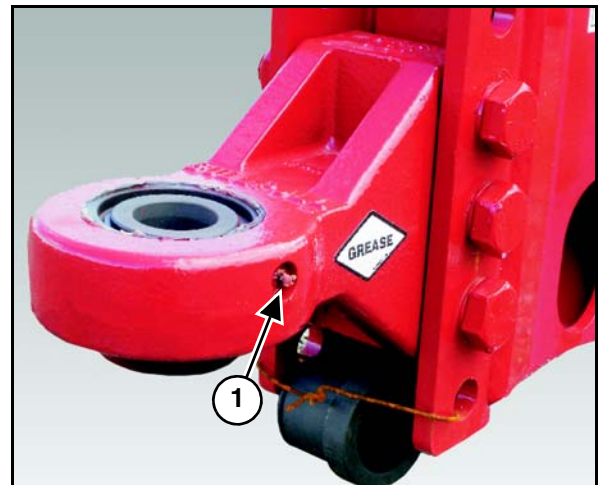
The PB-MERITOR manual should be used in conjunction with this manual for the following models: XTS22-240B, XTS22-264B, XTS22- 280B, XTSW24-228B and XTSW30-276SB.

8.1 LUBRICATION

NOTE: Use a grease type that is composed of a high quality lithium complex or better, unless otherwise stated. We recommend using a #1 grade in colder temperatures or a #2 grade in warmer temperatures.

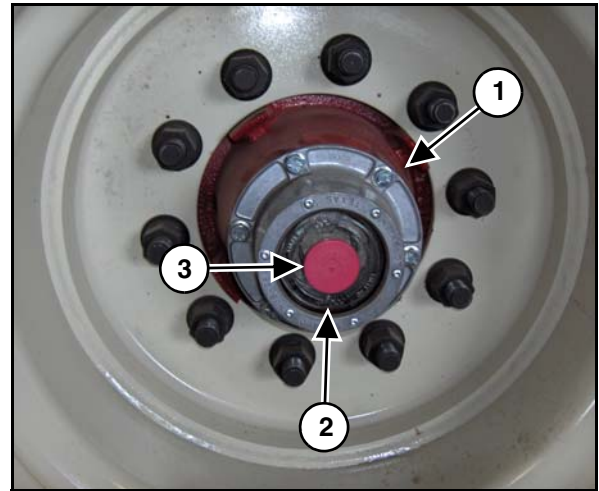
DAILY or every 8-10 loads:

- Grease the hitch (Item 1) (both sides).



Weekly or every 25-30 loads (Oil Bath Hubs):

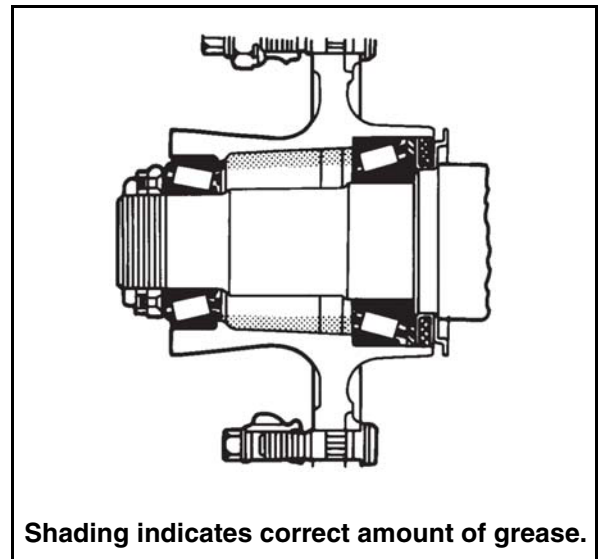
- Check the oil level in each wheel hub (Item 1). The oil should be 1/2" high in the sight glass (Item 2). If low, add EP80/90 gear lube through the pop out rubber plug (Item 3) at the center of the hub.



Every Six Months (Grease Packed Hubs):

NOTE: Lubricate a wheel end with approved NLGI 1 or 2 grease.

- Use a pressure packer to pack the bearing cones with grease by forcing grease into the cavities between the rollers and cage from the large end of the cone. If a pressure packer is not available, pack the bearings by hand.
- Apply a light coat of grease to the spindle bearing journals.



When you lubricate the wheel-end cavity with approved grease, pack the area of the hub between the two bearings with grease only up to the smallest diameter of the bearing cups. Do not install too much grease in the wheel-end cavity. Remove excess grease, which can contaminate the brakes and affect bearing life and braking performance. Damage to components can result.

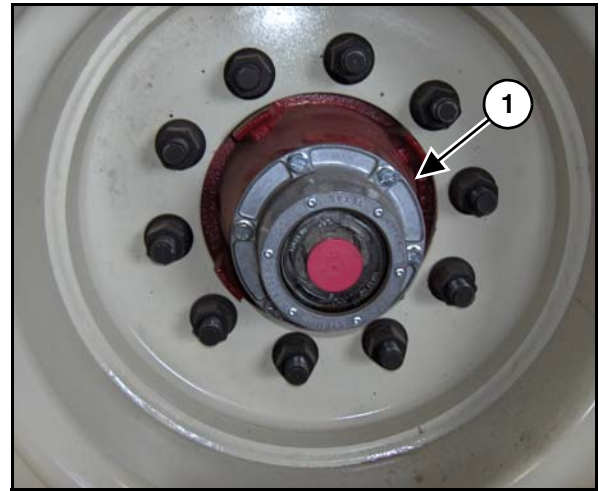
- Pack the area of the hub between the two bearings with grease up to the smallest diameter of the bearing cups. Remove excess grease.
- Install and tighten the hub retention hardware. Apply a light coat of approved NLGI 1 or 2 grease to the hubcap interior and across the face of the outer locknut. This will indicate that NLGI 1 or 2 grease was used, as well as help prevent corrosion of these parts.

Every Two Years or when discolored (Oil Bath Hubs):

- Drain oil from wheel hubs (Item 1) and refill with EP80/90 oil every 2 yrs or if oil becomes discolored from water or other contamination.

Equivalent Viscosity of ISO-VG Grades at 104°F and SAE Gear Lube Grades

ISO-VG Grade	SAE Gear Lube Grade
46	75W
100	80W-90
220	90
460	85W-140
1500	250



8.2 INSPECTION

Daily or every 8-10 loads:

- Check wheel hub lug bolts for proper torque. See page 36.
- Check tires for proper inflation. See page 37.

Monthly or every 100-150 loads:

- Check trailer for loose and fatigued fasteners. Check all pivots for play. Tighten or replace as required.

Annually:

- Check tires for wear and replace when necessary.
- Check torque on spring to axle u-bolts and spring shackle bolts as instructed on page 35.

8.3 SUSPENSION TORQUE REQUIREMENTS

After an initial break in period approximately four months and periodically thereafter, **ALL** bolts and nuts should be checked to insure that recommended torque values are being maintained.

Lubricated torque values listed are for new fasteners with lubricated threads. It is recommended that new installations be performed with oiled fasteners. For dry threads which have been in service, use the higher torque values which are noted below.

SIZE	DESCRIPTION	LUBRICATED	DRY
1 1/8-7	Rocker Bolt	590 lb-ft	790 lb-ft
1-14 or 1-8	Radius Bolt	540 lb-ft	720 lb-ft
7/8-14	Axle U-Bolt & Radius Rod Bolt	350 lb-ft	470 lb-ft
3/4-16	Axle U-Bolts	310 lb-ft	420 lb-ft
5/8-18	Radius Rod Clamp Bolt	130 lb-ft	170 lb-ft
5/8-18	Spring Retainer Bolt	35 lb-ft	50 lb-ft

8.4 WHEEL TORQUE REQUIREMENTS

BOLT/STUD SIZE	SOCKET SIZE	PRESS FORMED WHEEL CENTER	BOLT TYPE	HEAVY DUTY WHEEL CENTER
22MM	33MM	N/A	Flange Nut	450-500 lb-ft

8.5 FARM IMPLEMENT TIRES

Inflation pressures should be checked at least every week. Recommended inflation pressures based on total load on tires should be used. For accurate inflation use a special low-pressure gauge with one-pound gradations. Gauges should be checked occasionally for accuracy. Always use sealing valve caps to prevent loss of air.

Tire Overload or Under Inflation

Tire overload or under inflation have the same effect of over-deflecting the tire. Under such conditions the tread on the tire will wear rapidly and unevenly, particularly in the shoulder area. Radial cracking in the upper sidewall area will be a problem. With under inflated drive tires in high torque applications sidewall buckles will develop leading to carcass breaks in the sidewall. While an under inflated drive tire may pull better in some soil conditions, this is not generally true and not worth the high risk of tire damage that such an operation invites.

Over Inflation

Over inflation results in an under-deflected tire carcass. The tread is more rounded, concentrates tread wear at the centerline area. Traction is reduced in high torque service because ground contact of the tread shoulder area is reduced and the harder carcass, with reduced flexing characteristics, does not work as efficiently. The tightly stretched over-inflated carcass is more subject to weather checking and impact break damage.

Pressure Adjustments Required - Slow Speed Operation

Higher tire loads are approved for intermittent service operations at reduced speed. Under such conditions, inflation pressure must be increased to reduce tire deflection and assure full tire service life. See Page 37 for proper inflation.

Use of Proper Width Rims

If tires are mounted on rims of incorrect width, the following conditions can result:

- Use of a wider rim results in flattening of the tread face. This feature may improve traction in loose soil conditions. In hard soils, however, the flatter tread penetrates less effectively and tractive effort is reduced. Additional stresses concentrated in the shoulder area tend to increase the rate of shoulder tread wear. By spacing the tire beads farther apart the sidewalls are forced to flex in an area lower than normal and this can result in circumferential carcass breaks and/or separation.
- Use of a narrower rim brings potential mounting problems because the rim shield or flange cover molded into most drive tire designs tends to interfere with the seating of the tire beads on a narrow rim. Once mounted on a narrow rim, the tire shield applies undue pressure on the rim flange, with possible tire sidewall separation or premature rim failure at the heel radius. On a narrow rim the tread of the tire is rounded. As with the over-inflated tire tread wear will be concentrated in the center area of the tread and traction in the field will be reduced.

8.5.1 Tire Inflation

If tires are to operate for any length of time on roads or other hard surfaces and the draft load is not great, it is advisable to increase the pressure in the tire to the maximum recommendation in order to reduce the movement of the tread bars that causes excessive wiping action.

TIRE SIZE	PLY	PSI
600/50 x 22.5	16	52
600/50 x 22.5	18	70
700/40 x 22.5	16	52
700/40 x 22.5	18	70
425/65/22.5	20	75
11R/22.5	14	75

8.6 BRAKES

IMPORTANT

Before using any equipment equipped with brakes the operation of the brakes should be checked. Brake linings should be replaced before the rivets or support plates come in contact with the wheel drum. Perform all necessary maintenance before using equipment.



WARNING

Any corrosive materials (saltwater, fertilizers) are destructive to metals. To properly maintain the life of the brake system flushing with a high pressure water hose is recommended. After washing be sure to grease actuator bearings (slides) and oil all moving parts. At the end of season it is recommended that the brake drums be removed and cleaned inside. Flush wheel bearings being careful not to contaminate the brake system with lube. Readjust the brakes.

Check and test the brakes before intensive use and every three months thereafter. Check the brake wear and the clearance between the brake linings and the drum visually. It is probable that the linings are worn when the brake travel has increased significantly. If the linings are worn to the minimum thickness replace with new.

Check that the brakes are clean and clean them if necessary. Lubricate the brake cam shaft bearings with grease zerks. To prevent grease from getting on the brake drum or linings, do not over grease.

8.6.1 Brake Adjustment

Take up the slack when the stroke reaches about two thirds of the maximum travel. Adjust the slack adjuster until the brake shoes make contact with the drum. It may be necessary to jack the tire off of the ground and rotate the tire to feel contact with the drum. Once contact is felt back off the adjuster bolt on the slack adjuster 1/2 turn or until wheel turns freely without drag. Repeat the same process for the remainder of the brakes.

8.7 STORING THE TRAILER

Sometimes it may be necessary to store your Meyer trailer for an extended period of time. Below is a list of items to perform before storage.

- Fully empty the trailer.
- Thoroughly clean the equipment.
- Lubricate the equipment. (See 8.1 LUBRICATION on page 33.)
- Make appropriate adjustments to equipment.
- Inspect the hitch and all welds on the equipment for wear and damage.
- Check for loose hardware, missing guards, or damaged parts.
- Check for damaged or missing safety signs (decals). Replace if necessary.
- Replace worn or damaged parts.
- Touch up all paint nicks and scratches to prevent rusting.
- Place the equipment in a dry protected shelter.
- Place the equipment flat on the ground.

8.8 RETURNING THE TRAILER TO SERVICE

After the Meyer trailer has been in storage, it is necessary to follow a list of items to return the equipment to service.

- Be sure all shields and guards are in place.
- Lubricate the equipment.
- Connect to a tractor and operate equipment, verify all functions operate correctly.
- Check for leaks. Repair as needed.

9.0 PARTS REPAIR AND REPLACEMENT

9.1 REPLACEMENT PARTS



WARNING

Before servicing this equipment, insure that all personnel, including family members are familiar with the equipment and the safety hazards that are present, along with the safety practices that should be observed while working in this equipment.



CAUTION

Inspect the chassis' axles, o-beams, spindles, tires, hitches & all safety shielding, safety signs and safety lighting regularly. These parts if not watched closely, could pose potential injury or death. If any part is found in need of repair, follow the SHUTOFF & LOCKOUT POWER recommendations and have qualified personnel repair immediately.

Any individual that will be adjusting, servicing, maintaining, or clearing an obstruction from this machine needs to ensure that this machine stays safely "OFF" until the adjustment, service, or maintenance has been completed, or when the obstruction has been cleared, and that all guards, shields, and covers have been restored to their original position. The safety of all individuals working on or around this machine, including family members, are affected. The following procedure will be referred to throughout this manual, so be familiar with the following steps.

9.1.1 Shutoff & Lockout Power Recommendations

1. Think, Plan and Check

- a. **Think** through the entire procedure and identify all the steps that are required.
- b. **Plan** what personnel will be involved, what needs to be shut down, what guards / shields need to be removed, and how the equipment will be restarted.
- c. **Check** the machine over to verify all power sources and stored energy have been identified including engines, hydraulic and pneumatic systems, springs and accumulators, and suspended loads.

2. **Communicate** - Inform everyone involved, including those working on or around this machine, that work is being done which involves keeping this machine safely "OFF".

3. Power Sources

- a. **LOCKOUT** - Shut off engines and take the key, or physically lock the start/on switch or control. Disconnect any power sources which are meant to be disconnected (i.e. electrical, hydraulic, and PTO of pull-type units).
- b. **TAGOUT** - Place a tag on the machine noting the reason for the power source being tagged out and what work is being done. This is particularly important if the power source is not within your sight and/or will need to be isolated for a longer period of time.

4. **Stored Energy** - Neutralize all stored energy from its power source. Ensure that this machine is level, set the parking brake, and chock the wheels. Disconnect electricity, block moveable parts, release or block spring energy, release pressure from hydraulic and pneumatic lines, and lower suspended parts to a resting position.

5. **Test** - Do a complete test and personally double check all of the above steps to verify that all of the power sources are actually disconnected and locked out.

6. **Restore Power** - When the work has been completed, follow the same basic procedures, ensuring that all individuals working on or around this machine are safely clear of the machine before locks and tags are removed and power is restored.

IMPORTANT

It is important that everyone who works on this equipment is properly trained to help ensure that they are familiar with this procedure and that they follow the steps outlined above. This manual will remind you when to **Shutoff & Lockout Power**.

At times parts on this implement will become worn or damaged. Performing repairs on this implement can pose a risk of injury including death. To reduce risk, the party that will be doing the repair should be very knowledgeable of the implement and the equipment that they will be using to do the repair.

- Review the repair so that a plan can be put together and the proper equipment can be used to repair this implement safely and correctly.
- Personal safety equipment may include items such as safety glasses, protective footwear, hearing protection, gloves, fire retardant clothes, etc.

WARNING

Crushing Hazard

Do Not work under suspended or blocked parts.



- The use of hoists and/or supports may be needed to handle heavy components.
- If the implement is being repaired in the field, make sure the parking brake of the tractor is engaged, the implement is on solid and level ground.
- Welding and torching should be done by properly trained individuals who have proven their skills.

IMPORTANT

Call the factory for any additional details you may need to perform the repair. Some parts may come with instruction sheets to assist in the repair. Instructions sheets may be provided with your parts order, otherwise, if available, instruction sheets can be e-mailed or faxed for you convenience.

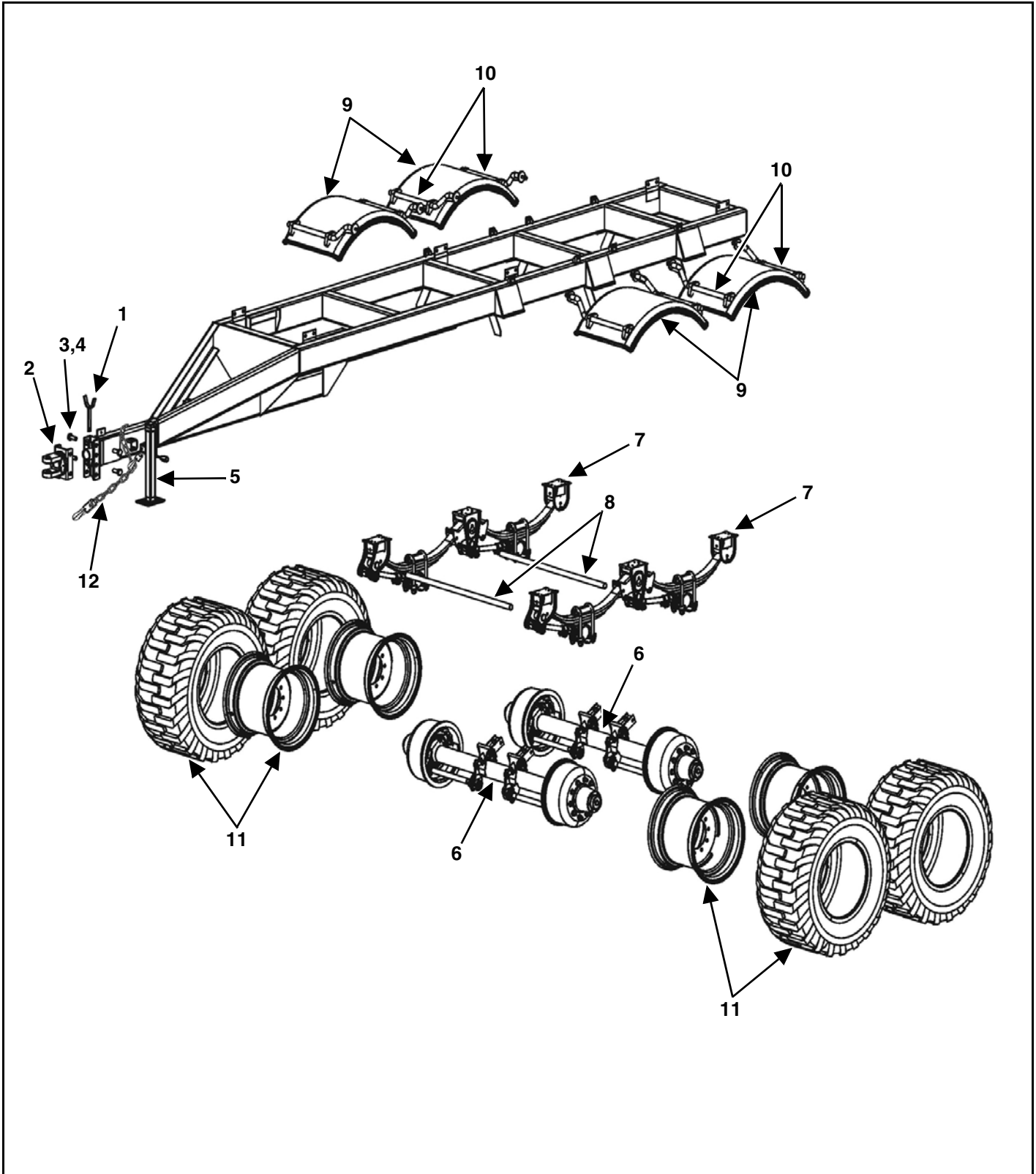
NOTE: Be environmentally friendly and dispose of any waste materials properly. Recycle when appropriate.

XTS TRAILER

Models XTS2200B • XTS2200LB • XTS2200XLB • XTSS2226B
XTS2400B • XTSW2400B • XTS3000B • XTS3000-SB • XTSW3000-SB
XTSS4500B • XTSSW4500B • XTSS4530B • XTSS4536B

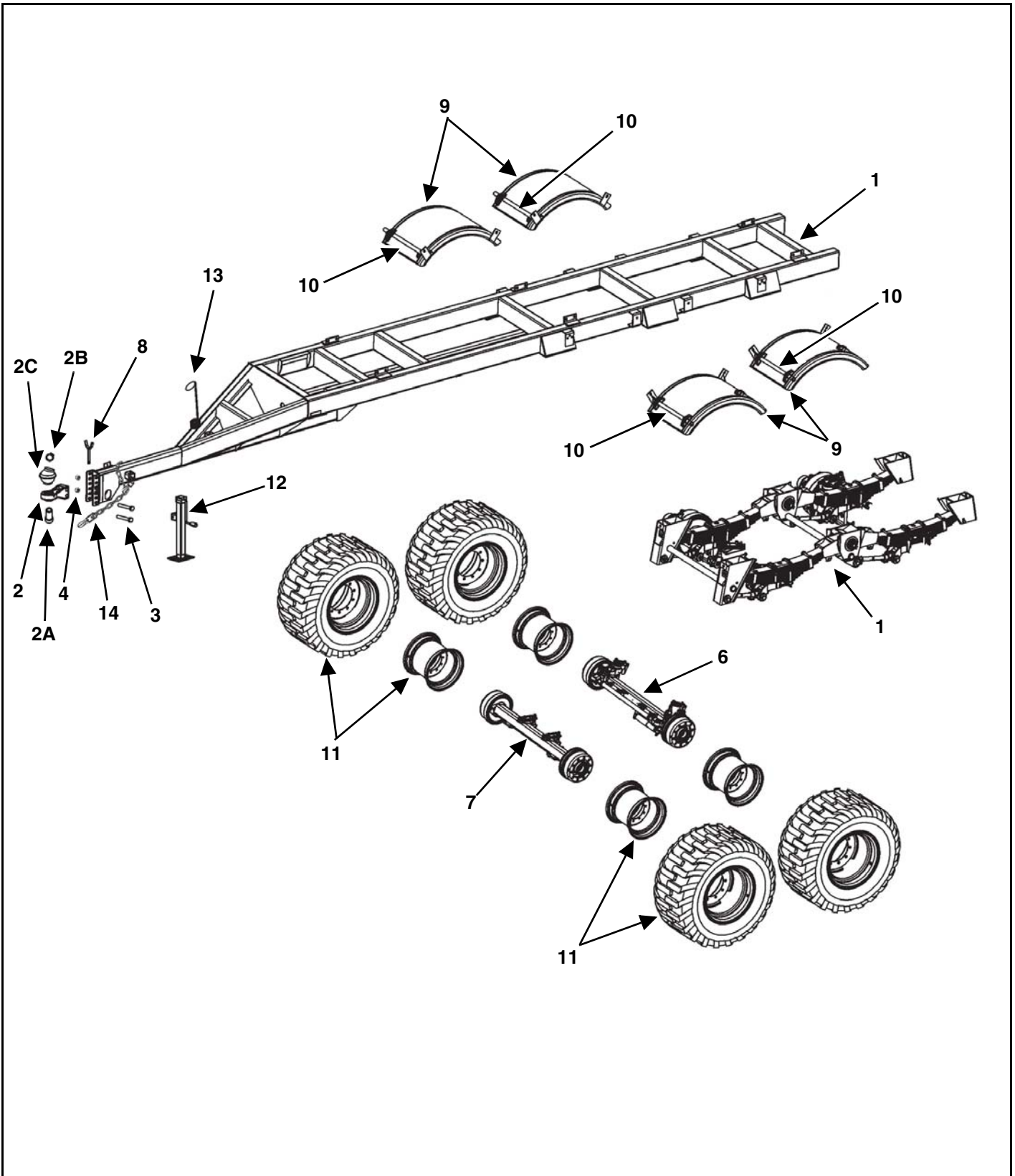


TRAILER ASSEMBLY
XTS2200B, XTS2200LB, XTS2200XLB



KEY	PART NUMBER	QTY	DESCRIPTION
1	925-3775-1	1	PTO SUPPORT CRADLE
2	901-3757	1	SWIVEL HITCH
3	881-1014-2.5	4	1-14 x 2-1/2" GR. 8 M.B.
4	884-1014-Z	4	1-14 TOP LOCK NUT
5	956-3803	1	8000# SQUARE JACK LESS MOUNT TUBE
	956-3803-1	2	SQUARE JACK MOUNT TUBE
6	75-2410-1	2	25,000# AXLE 77.5" TRACK (PRIOR TO 2010 Model Year) (SEE PAGE 54)
	75-2410-1-WT44.125	2	25,000# AXLE 83.5" TRACK 44-1/8" SPRING CENTER (SN 1024201 - 14XTS24203) (SEE PAGE 54)
	75-2410-1-WT49	2	25,000# AXLE 83.5" TRACK 49" SPRING CENTER (SN 14XTS24204 & LATER) (SEE PAGE 54)
7	See Page 52	1	TANDEM KIT
8	75-2400-15	2	TANDEM BRACKET SUPPORT PIPE-WELDED IN
9	75-2410-10-1	2 PR	HIGH DENSITY FENDER ONLY (PRIOR TO 2010 Model Year)
	75-2410-10-4	2 PR	HIGH DENSITY EYEBROW FENDER ONLY (2010 Model Year & LATER)
10	75-2410-10-3-1	4 PR	FENDER MOUNT STEEL TUBE W/4" DROP
	75-2410-10-3	2 PR	MOUNTING HARDWARE KIT (PER PAIR)
	75-2410-10-3-2	AR	FENDER MOUNT TUBE PLASTIC BRACKET (4 PER PACK)
	75-2410-10-3-2-1	AR	FENDER MOUNT TUBE PLASTIC BRACKET ONLY
	75-2403-2	4 PR	FENDER MOUNT STEEL TUBE 26" LONG
	75-2431-5	4 PR	FENDER MOUNT STEEL TUBE 28" LONG
	75-2440-3	4 PR	FENDER MOUNT STEEL TUBE 30" LONG
	75-2441-1	4 PR	FENDER MOUNT STEEL TUBE 32" LONG
11		4	CALL FACTORY W/ TRAILER SERIAL NUMBER 1-800-325-9103
12	52-0051	1	SAFETY CHAIN, 40,000 # CAPACITY

TRAILER ASSEMBLY
XTSS2226B

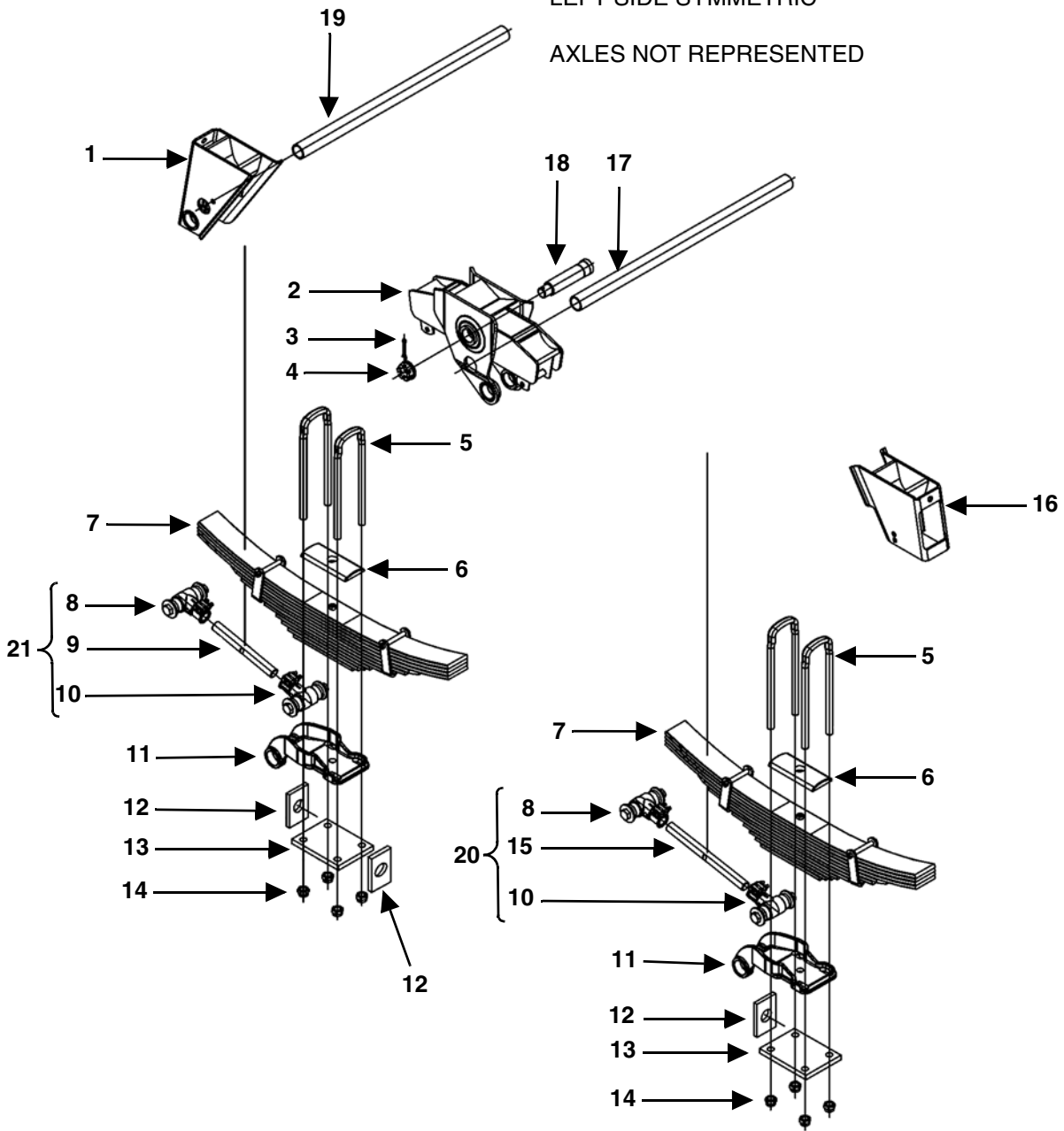


KEY	PART NUMBER	QTY	DESCRIPTION
1	See Page 46	-	SUSPENSION
2	75-2019	1	CAST SWIVEL HITCH ASSY. 1.5" & 2" INSERTS
2A	75-2008-1	1	2" PIN BUSHING INSERT
	75-2008-2	1	1.5" PIN BUSHING INSERT
2B	75-2008-3	1	SNAP RING
2C	75-2008-4	1	BALL, SWIVEL
3	901-3755-4	3	1-14 x 6-1/2" SAWED M.B. GR. 8
	808-1-1.5-10	6	10GA MACHINE BUSHING
4	884-1014-Z	3	1-14 TOP LOCK NUT GRADE 8
6	75-4500-1-3-WT	1	STEERABLE AXLE W/HUBS COMPLETE (See Pages 60 - 62)
7	75-4500-1-4-WT	1	NON-STEERABLE AXLE W/HUBS COMPLETE (See Pages 64)
8	925-3775-1	1	PTO SUPPORT CRADLE
9	75-2410-10-1	2PR	HIGH DENSITY FENDER ONLY (PRIOR TO 2010 Model Year
	75-2410-10-4	2PR	HIGH DENSITY EYEBROW FENDER ONLY (2010 Model Year & LATER)
10	75-2410-10-3-1	4PR	FENDER MOUNT STEEL TUBE W/4" DROP
	75-2403-2	4PR	FENDER MOUNT STEEL TUBE 26" LONG
	75-2431-5	4PR	FENDER MOUNT STEEL TUBE 28" LONG
	75-2440-3	4PR	FENDER MOUNT STEEL TUBE 30" LONG
	75-2441-1	4PR	FENDER MOUNT STEEL TUBE 32" LONG
	75-2410-10-3	2PR	MOUNTING HARDWARE KIT (PER PAIR)
	75-2410-10-3-2	AR	FENDER MOUNT TUBE PLASTIC BRACKET (4 PER PACK)
	75-2410-10-3-2-1	AR	FENDER MOUNT TUBE PLASTIC BRACKET ONLY
11		4	CALL FACTORY W/ TRAILER SERIAL NUMBER 1-800-325-9103
12	956-3803	1	8000# SQUARE JACK LESS MOUNT TUBE
	956-3803-1	1	SQUARE JACK MOUNT TUBE
13	929-3801	1	HYDRAULIC HOSE HOLDER SPRING
14	52-0051	1	SAFETY CHAIN, 40,000 # CAPACITY

**SUSPENSION
XTSS22-264B**

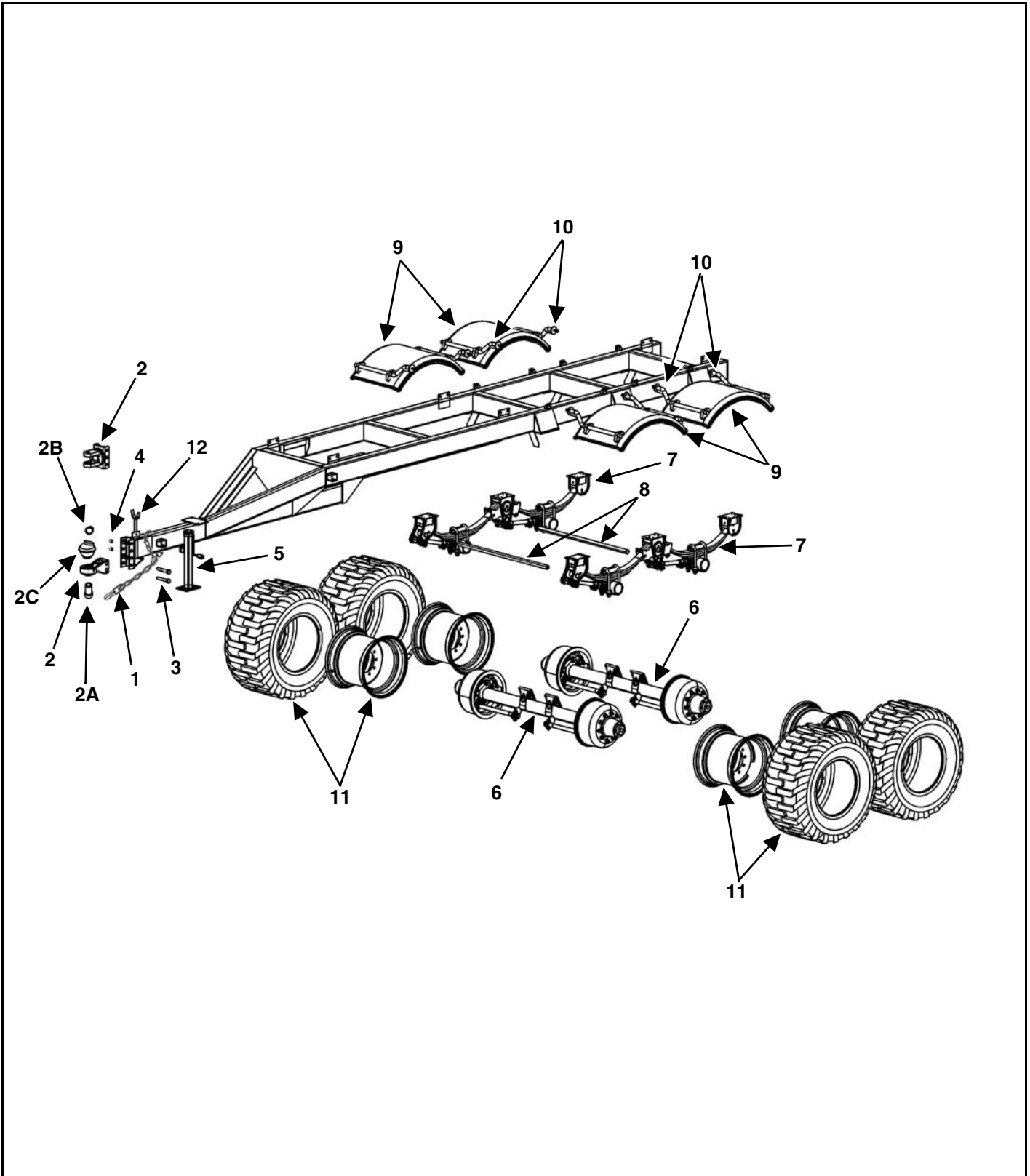
RIGHT SIDE OF THE SUSPENSION REPRESENTED
LEFT SIDE SYMMETRIC

AXLES NOT REPRESENTED



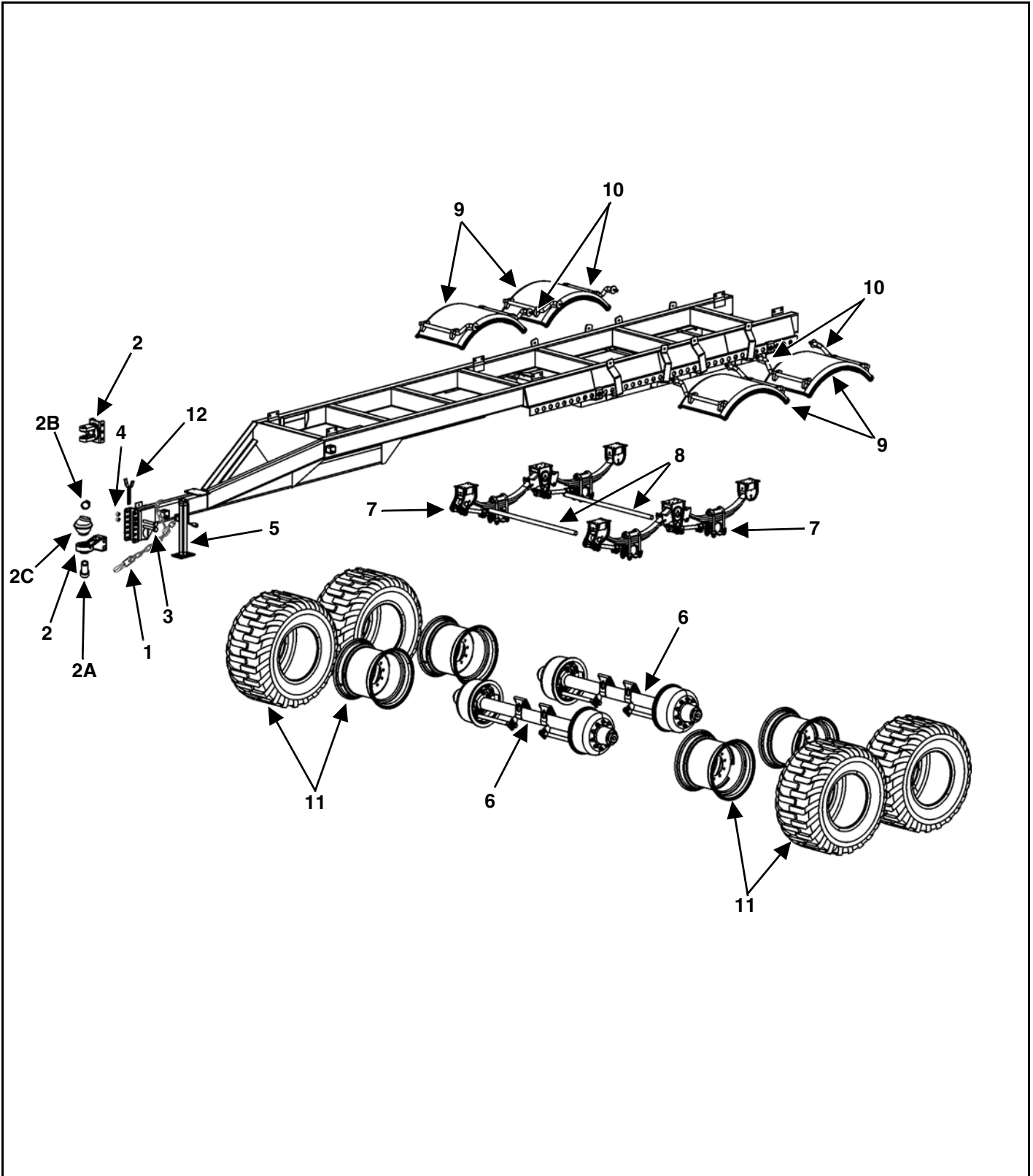
KEY	PART NUMBER	QTY	DESCRIPTION
1	75-4500-1-5-3	2	RH/LH FRONT HANGER BRACKET
2	75-4500-1-5-1	1	RH CENTER HANGER BRACKET ASSEMBLY
	75-4500-1-5-2	1	LH CENTER HANGER BRACKET ASSEMBLY
3	75-4500-1-5-18	2	COTTER PIN
4	75-4500-1-5-19	2	CASTLE NUT M39 x 200
5	75-4500-1-5-12	8	U-BOLT
6	75-2440-1-2	4	TANDEM CLAMPING WEDGE
7	75-2440-1-1	4	TANDEM SPRING ASSEMBLY
8	75-4500-1-5-8-1	4	ADJUSTABLE ROD HEAD ASSEMBLY HANGER SIDE
9	75-4500-1-5-8-2	2	FRONT ADJUSTABLE THREADED ROD
10	75-4500-1-5-8-3	4	ADJUSTABLE ROD HEAD ASSEMBLY AXLE SIDE
11	75-4500-1-5-20	4	ROD INTERMEDIATE PLATE
12	75-4500-1-5-21	6	STIFFENING PLATE
13	75-4500-1-5-22	4	CLAMPING PLATE
14	75-4500-1-5-13	16	M24 SELF LOCK NUT
15	75-4500-1-5-9-1	2	CENTER/REAR ADJUSTABLE THREADED ROD
16	75-4500-1-5-4	2	RH/LH REAR HANGER BRACKET
17	75-2440-1-3	1	TANDEM REAR SPACER TUBE
18	75-4500-1-5-23	2	ROCKER SHAFT
19	75-2440-1-4	1	TANDEM FRONT SPACER TUBE
20	75-4500-1-5-8	2	CENTER/REAR ADJUSTABLE THREADED ROD ASSY
21	75-4500-1-5-9	2	FRONT ADJUSTABLE THREADED ROD ASSY

TRAILER ASSEMBLY
XTS2400B, XTSW2400B, XTS3000B



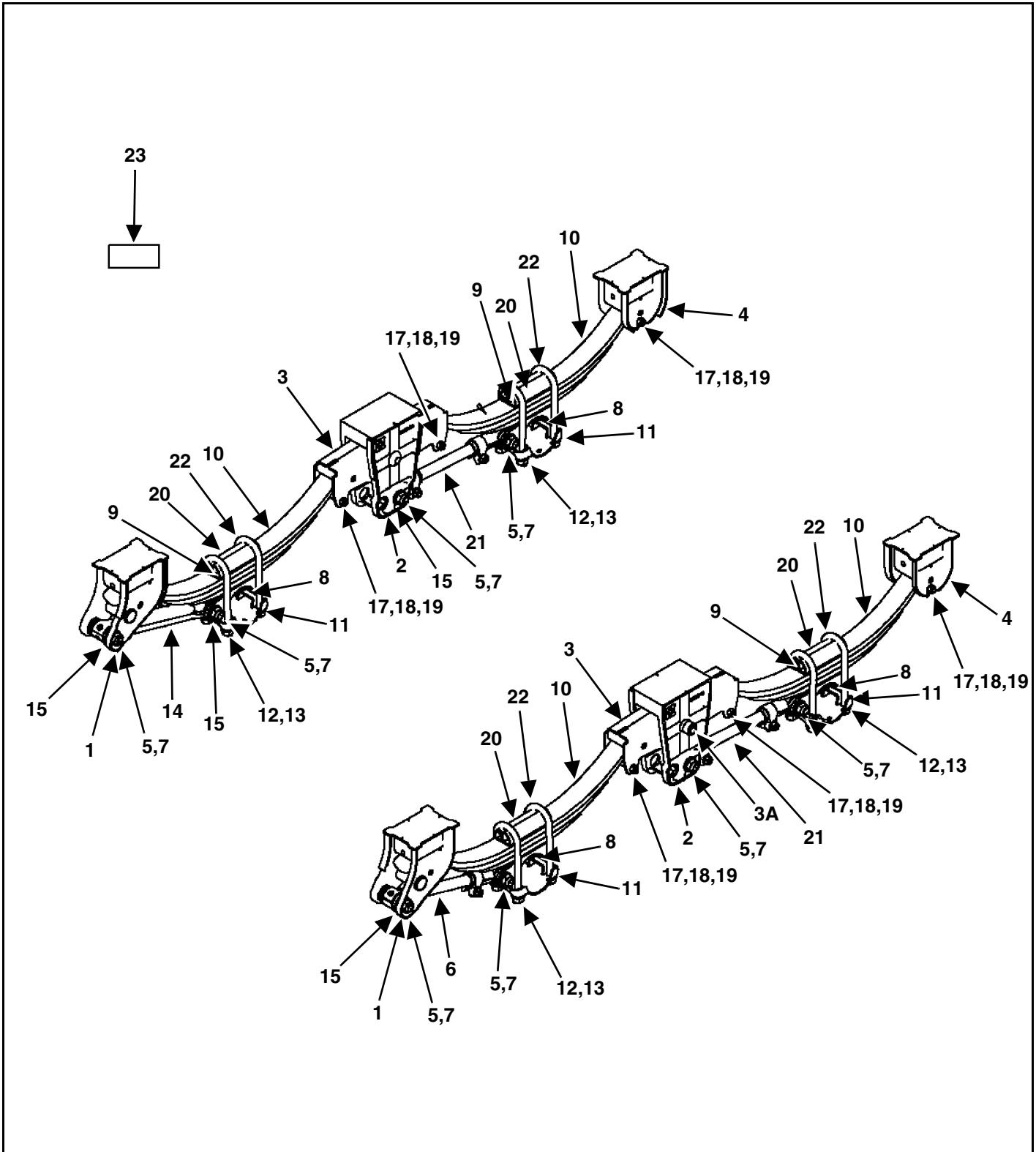
KEY	PART NUMBER	QTY	DESCRIPTION
1	52-0051	1	SAFETY CHAIN, 40,000 # CAPACITY
2	901-3757	1	SWIVEL HITCH ASSEMBLY (PRIOR TO SN 0924204 & 0930204)
	75-2019	1	CAST SWIVEL HITCH ASSEMBLY 1.5"/2" (SN 0924204, 0930204 & LATER)
2A	75-2008-1	1	2" PIN BUSHING INSERT
	75-2008-2	1	1.5" PIN BUSHING INSERT
2B	75-2008-3	1	SNAP RING
2C	75-2008-4	1	BALL, SWIVEL
3	884-1014-2.5Z	4	1-14 x 2-1/2" GR 8 MB (USE W/901-3757 HITCH)
	901-3755-4	3	1-14 x 6-1/2" SAWED M.B. GR. 8 (USE W/75-2019 HITCH)
	808-1-1.5-10	6	10GA MACHINE BUSHING (USE W/75-2019 HITCH)
4	884-1014-Z	4/3	1-14 TOP LOCK NUT
5	956-3803	1	8000# SQUARE JACK LESS MOUNT TUBE
	956-3803-1	2	SQUARE JACK MOUNT TUBE
6	75-2410-1-50.125	2	77.5" 25,000# AXLE W/CAM, SLACKS, BRAKES AND SEAT HEIGHTS @ 50.125" CENTER (XTS2400B ONLY) (See Page 54.)
	75-2410-1-WT50.125	2	83.5" 25,000# AXLE W/CAM, SLACKS, BRAKES AND SEAT HEIGHTS @ 50.125" CENTER (XTSW2400B ONLY) (Prior To 14XTS24203) (See Page 54.)
	75-2410-1-WT49	2	83.5" 25,000# AXLE W/CAM, SLACKS, BRAKES AND SEAT HEIGHTS @ 49" CENTER (XTSW2400B ONLY) (SN 14XTS24204 Through SN 14XTS24210) (See Page 54.)
	75-2410-1-HD50.125	2	77.5" 30,000# AXLE W/CAM, SLACKS, BRAKES AND SEAT HEIGHTS @ 50.125" CENTER (XTS3000B ONLY) (Prior To SN 14XTS30215) (See Page 54.)
	75-2410-1-HD49	2	77.5" 30,000# AXLE W/CAM, SLACKS, BRAKES AND SEAT HEIGHTS @ 49" CENTER (XTS3000B ONLY) (SN 14XTS30215 Through SN 14XTS30224) (See Page 54.)
7	See Page 52	1	TANDEM KIT
8	75-2400-15	2	SPRING BRACKET SUPPORT PIPES
9	75-2410-10-1	2PR	HIGH DENSITY FENDER ONLY (PRIOR TO 2010 Model Year)
	75-2410-10-4	2PR	HIGH DENSITY EYEBROW FENDER ONLY (2010 Model Year & LATER)
10	75-2410-10-3-1	4PR	FENDER MOUNT STEEL TUBE W/4" DROP
	75-2403-2	4PR	FENDER MOUNT STEEL TUBE 26" LONG
	75-2431-5	4PR	FENDER MOUNT STEEL TUBE 28" LONG
	75-2440-3	4PR	FENDER MOUNT STEEL TUBE 30" LONG
	75-2441-1	4PR	FENDER MOUNT STEEL TUBE 32" LONG
	75-2410-10-3	2PR	MOUNTING HARDWARE KIT (PER PAIR)
	75-2410-10-3-2	AR	FENDER MOUNT TUBE PLASTIC BRACKET (4 PER PACK)
	75-2410-10-3-2-1	AR	FENDER MOUNT TUBE PLASTIC BRACKET ONLY
11		4	CALL FACTORY W/ TRAILER SERIAL NUMBER 1-800-325-9103
12	925-3775-1	1	PTO SUPPORT CRADLE

TRAILER ASSEMBLY
XTS3000-SB, XTSW3000-SB



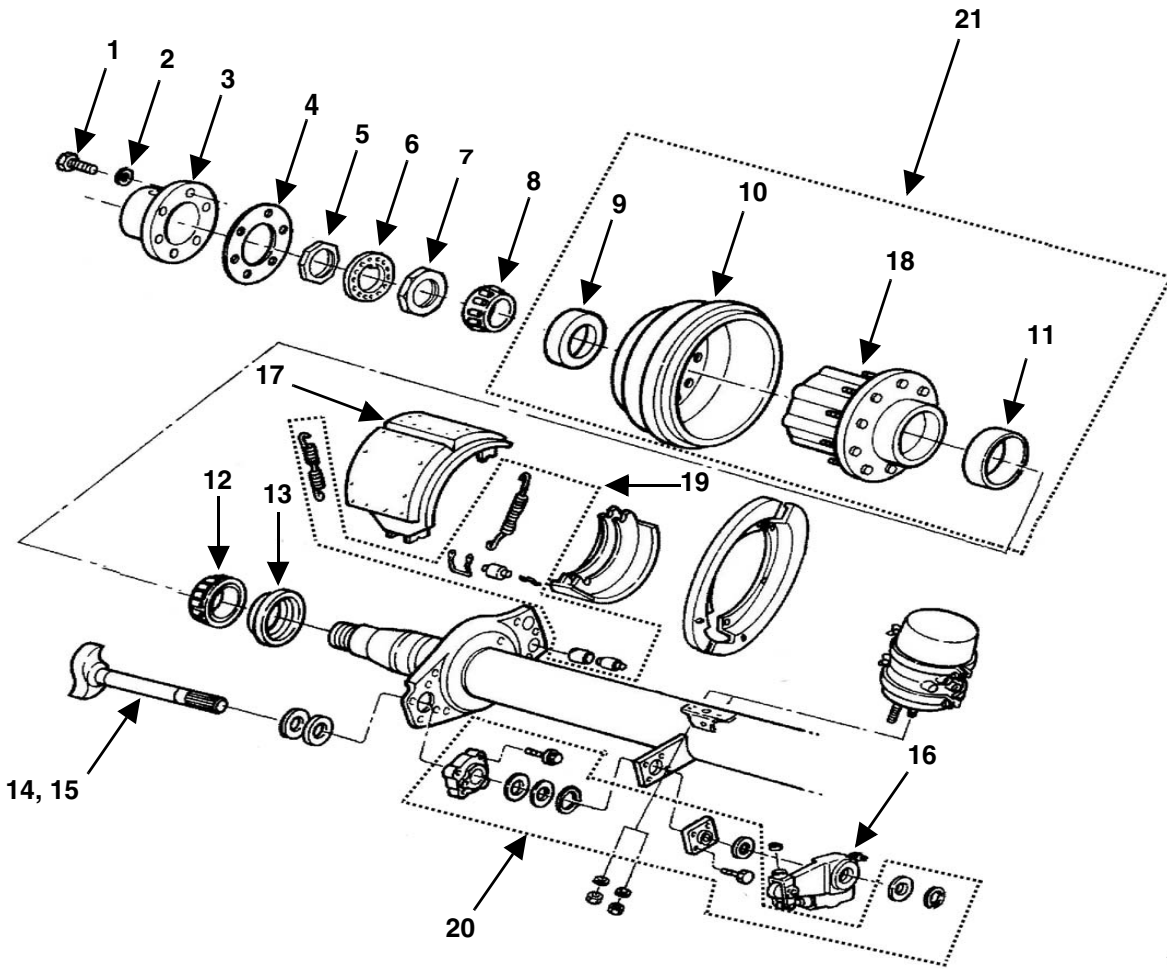
KEY	PART NUMBER	QTY	DESCRIPTION
1	52-0051	1	SAFETY CHAIN, 40,000 # CAPACITY
2	901-3757	1	SWIVEL HITCH ASSY. (PRIOR TO SN 0930204)
	75-2019	1	CAST SWIVEL HITCH ASSY. 1.5"/2" (SN 0930204 & LATER)
2A	75-2008-1	1	2" PIN BUSHING INSERT
	75-2008-2	1	1.5" PIN BUSHING INSERT
2B	75-2008-3	1	SNAP RING
2C	75-2008-4	1	BALL, SWIVEL
3	884-1014-2.5Z	4	1-14 x 2-1/2" GR 8 MB (USE W/901-3757 HITCH)
	901-3755-4	3	1-14 x 6-1/2" SAWED M.B. GR. 8 (USE W/75-2019 HITCH)
	808-1-1.5-10	6	10GA MACHINE BUSHING (USE W/75-2019 HITCH)
4	884-1014-Z	4/3	1-14 TOP LOCK NUT
5	956-3803	1	8000# SQUARE JACK LESS MOUNT TUBE
	956-3803-1	2	SQUARE JACK MOUNT TUBE
6	75-2410-1-HD50.125	2	77.5" 25,000# AXLE W/CAM, SLACKS, BRAKES AND SEAT HEIGHTS @ 50.125" CENTER (XTS3000-SB ONLY) (See Page 54.)
	75-2410-1-HD-WT50	2	83.5" 30,000# AXLE W/CAM, SLACKS, BRAKES (XTSW3000-SB Only) (See Page 54.)
7	See Page 52	1	TANDEM KIT
8	75-2410-9	1	SLIDER STOP PIPE (PRIOR TO 2010 Model Year)
	75-2430-3	1	SLIDER STOP PIPE (2010 Model Year & LATER)
9	75-2410-10-1	2PR	HIGH DENSITY FENDER ONLY (PRIOR TO 2010 Model Year)
	75-2410-10-4	2PR	HIGH DENSITY EYEBROW FENDER ONLY (2010 Model Year & LATER)
10	75-2410-10-3-1	4PR	FENDER MOUNT STEEL TUBE W/4" DROP
	75-2403-2	4PR	FENDER MOUNT STEEL TUBE 26" LONG
	75-2431-5	4PR	FENDER MOUNT STEEL TUBE 28" LONG
	75-2440-3	4PR	FENDER MOUNT STEEL TUBE 30" LONG
	75-2441-1	4PR	FENDER MOUNT STEEL TUBE 32" LONG
	75-2410-10-3	2PR	MOUNTING HARDWARE KIT (PER PAIR)
	75-2410-10-3-2	AR	FENDER MOUNT TUBE PLASTIC BRACKET (4 PER PACK)
	75-2410-10-3-2-1	AR	FENDER MOUNT TUBE PLASTIC BRACKET ONLY
11		4	CALL FACTORY W/ TRAILER SERIAL NUMBER 1-800-325-9103
12	925-3775-1	1	PTO SUPPORT CRADLE

SUSPENSION
XTS2200B, XTS2200LB, XTS2200XLB, XTS2400B
XTSW2400B, XTS3000B, XTS3000-SB, XTSW3000-SB



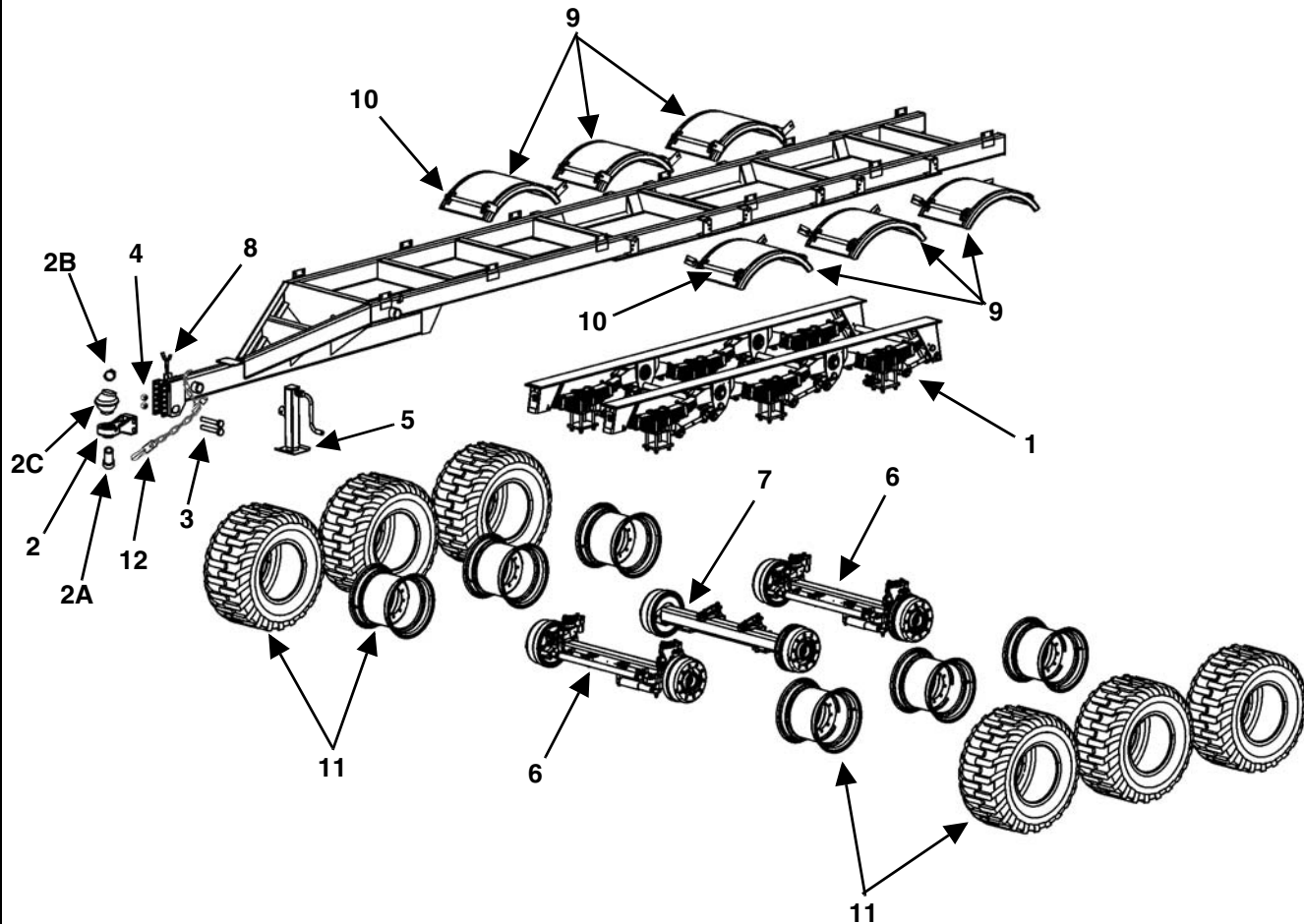
KEY	PART NUMBER	QTY	DESCRIPTION
0	75-2400-2	1	Tandem Kit Less Springs (Prior To SN 1122212, 1124201, & 1130202)
	75-2433-3	1	Tandem Kit Less Springs (SN 1122212, 1124201, 1130202 & Later)
1	75-2433-3-1-1	2	Front Spring Hanger Assembly
2	75-2433-3-2-1	2	LH/RH Center Hanger Bracket
2/3	75-2400-2-1	2	LH/RH Center Rocker Hanger Assembly 49" (Prior To SN 1122212, 1124201, & 1130202)
3	75-2400-2-1-2	2	Rocker Assembly w/Bushing 49" LH/RH (Prior To SN 1122212, 1124201, & 1130202)
	75-2433-3-2-1-1	2	Cast Rocker Assembly W/Bushing 54.5" (SN 1122212, 1124201, 1130202 & Later)
	75-2433-3-2-1-2	2	Rubber Rocker Bushing Only
3A	75-2433-3-2-1-4	2	Rocker Replacement Bolt Kit
4	75-2433-3-1-2	2	Rear Spring Hanger Assembly
5	75-2433-3-1-3	8	Radius Rod Bolt 1-14 UNS x 5"
6	75-2433-3-1-5	1	Radius Rod W/Bushing 19-1/4" Long
7	75-2433-3-1-4	8	Flange Locknut 1-14 UNS
8	75-2433-3-1-8	4	Spring Seat
9	75-2400-2-2	4	Galvanized Liner
10	75-2400-3	4	Low Arch Spring Assembly
11	75-2433-3-1-6	4	Bottom Plate
12	75-2433-3-1-10	16	Washer
13	75-2433-3-1-9	16	Hex Nut 7/8-14
14	75-2433-3-1-12	1	Non-Adj. Radius Rod W/Bushings
15	75-2400-2-3	8	Washer Bushing
17	75-2433-3-2-3	6	Hex Lock Nut 5/8-18 UNF
18	75-2433-3-2-4	6	Sleeve Spacer
19	75-2433-3-2-5	6	Hex Bolt 5/8-18 UNF x 4-1/2"
20	75-2433-3-1-7	4	Top Plate
21	75-2433-3-2-6	2	Radius Rod W/Bushing 20-1/4" Long
22	75-2433-3-1-11	8	U-Bolt
23	75-2433-3-1-13	1	Decal Torque Value

WHEEL END PARTS
XTS2200B, XTS2200LB, XTS2200XLB, XTS2400B,
XTSW2400B, XTS3000B, XTS3000-SB, XTSW3000-SB



KEY	PART NUMBER	QTY	DESCRIPTION
1	851-3118-.75Z	6	5/16"-18 x 3/4" Cap Screw
2	822-0031-Z	6	Lock Washer
3	75-2410-1-1-1-3	4	25,000# Hub Cap, XTS24
	75-2410-HD-1-1-1-3	4	30,000# Hub Cap, Grease, XTS30 (Prior to SN 0930210)
	75-2410-1-HDWT-1-1	4	30,000# Hub Cap, Oil, XTS30 (SN 0930210 & Later) (Includes Key #4)
	75-2410-1-1-1-3-1	4	Rubber Oil Plug, XTS30 (SN 0930210 & Later)
4	75-2410-1-1-1-9	4	25,000# Gasket
	75-2410-1-HD-1-1-9	4	30,000# Gasket
5	75-2410-1-20	4	25,000# Wheel Bearing Jam Nut
	75-2410-1-4	4	30,000# Wheel Bearing Jam Nut
6	75-2410-1-30	4	25,000# Lock Washer
	75-2410-1-3	4	30,000# Lock Washer
7	75-2410-1-40	4	25,000# Wheel Bearing Adjusting Nut
	75-2410-1-2	4	30,000# Wheel Bearing Adjusting Nut
8	75-2410-1-1-1-8	4	25,000# Outer Wheel Bearing Cone
	75-2410-1-HD-1-1-5	4	30,000# Outer Wheel Bearing Cone
9	75-0213-3	4	25,000# Outer Bearing Cup
	75-2410-1-HD-1-1-6	4	30,000# Outer Bearing Cup
10	75-2410-1-HD-1-2-B	4	Brake Drum
11	75-2410-1-1-1-6	4	25,000# Inner Bearing Cup
	75-2410-1-HD-1-1-6	4	30,000# Inner Bearing Cup
12	75-2410-1-1-1-5	4	25,000# Inner Bearing Cone
	75-2410-1-HD-1-1-5	4	30,000# Inner Bearing Cone
13	75-2410-1-1-1-4	4	25,000# Wheel Bearing Oil Seal
	75-2410-1-HD-1-1-4	4	30,000# Wheel Bearing Oil Seal
14	75-2410-1-5-2	4	Left Camshaft
15	75-2410-1-5-1	4	Right Camshaft
16	75-2410-1-8	4	Slack Adjuster
17	75-2410-1-7	4	Brake Shoe and Lining Assembly (4515Q or 4707Q+)
18	75-2410-1-1	4	25,000# Hub with Races & 3.94" Studs (Includes Key # 9 & 11)
	75-2410-1-HD-1-1	4	30,000# Hub with Races & 3.94" Studs (Includes Key # 9 & 11)
	75-0223-10	40	M22 x 3.94" Studs
	75-0223-11	40	22 MM Flange Nut
19	75-2410-1-HD-2	AR	Brake Hardware Kit
20	75-2410-1-5	AR	Camshaft Bush / Hardware
21	75-2410-1-1-1	4	25,000# Hub & Drum Assembly with 3.94" Studs
	75-2410-1-HD-1	4	30,000# Hub & Drum Assembly with 3.94" Studs

TRAILER ASSEMBLY
XTSS4500B, XTSSW4500B, XTSS4530B, XTSS4536B

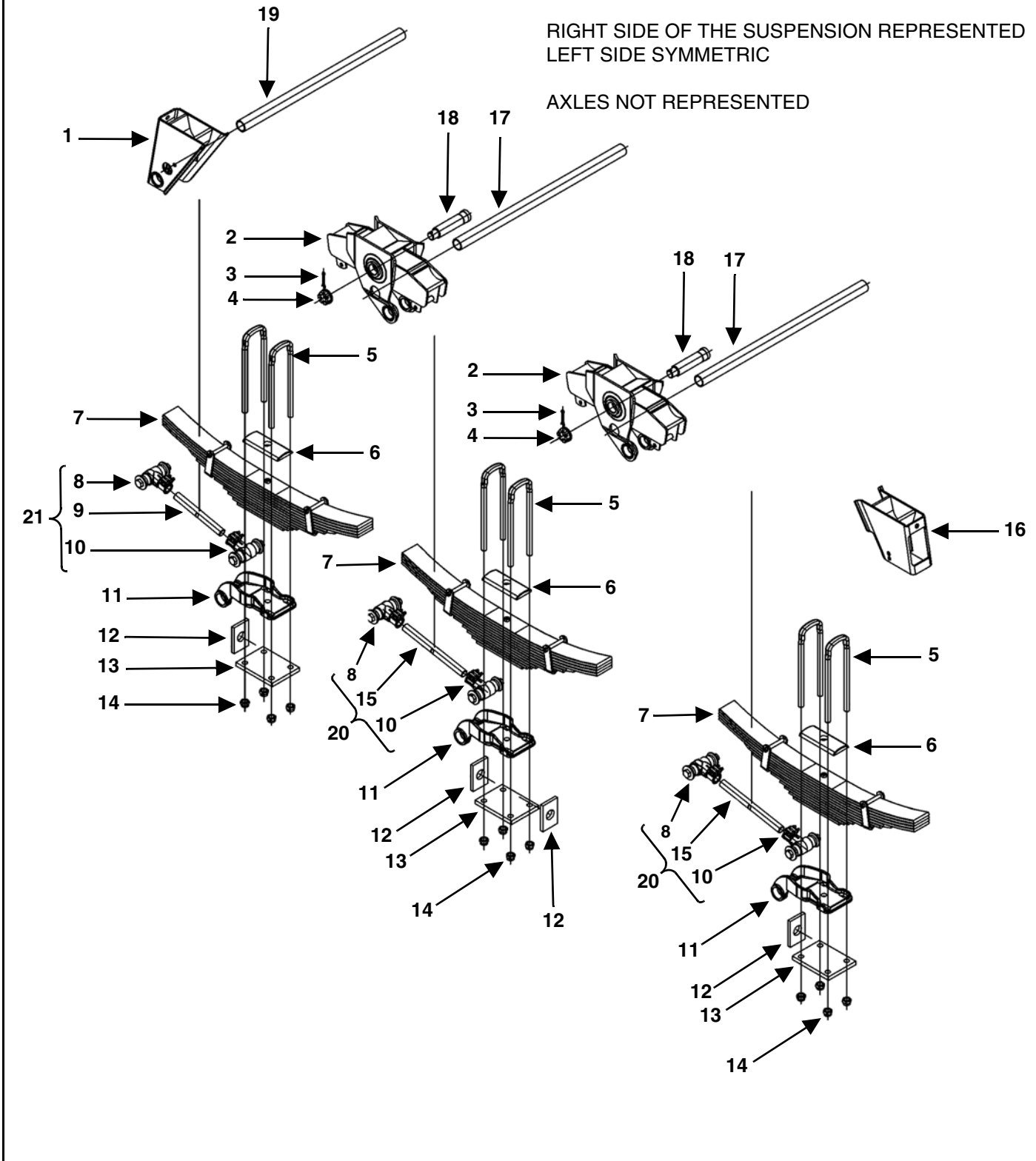


KEY	PART NUMBER	QTY	DESCRIPTION
1	See Page 58	1	SUSPENSION
2	75-2019	1	CAST SWIVEL HITCH ASSEMBLY 1.5"/2"
2A	75-2008-1	1	2" PIN BUSHING INSERT
	75-2008-2	1	1.5" PIN BUSHING INSERT
2B	75-2008-3	1	SNAP RING
2C	75-2008-4	1	BALL, SWIVEL
3	901-3755-4	3	1-14 x 6-1/2" GRADE 8 M.B. ZINC/SAWED (USE W/75-2019)
	808-1-1.5-10	6	10GA MACHINE BUSHING
4	884-1014-Z	3	1-14 TOP LOCK NUT GRADE 8
5	956-3702-1	1	SQUARE JACK W/O MOUNT TUBE
	956-3702-2	1	SQUARE JACK MOUNT TUBE
6	75-4500-1-3-WT	2	STEERABLE AXLE W/HUBS COMPLETE (See Pages 60 - 62)
7	75-4500-1-4-WT	1	NON-STEERABLE AXLE W/HUBS COMPLETE (See Pages 64)
8	925-3775-1	1	PTO SUPPORT CRADLE
9	75-2410-10-1	2PR	HIGH DENSITY FENDER ONLY (PRIOR TO 2010 Model Year)
	75-2410-10-4	2PR	HIGH DENSITY EYEBROW FENDER ONLY (2010 Model Year & LATER)
10	75-2410-10-3-1	6PR	FENDER MOUNT STEEL TUBE W/4" DROP
	75-2403-2	6PR	FENDER MOUNT STEEL TUBE 26" LONG
	75-2431-5	6PR	FENDER MOUNT STEEL TUBE 28" LONG
	75-2440-3	6PR	FENDER MOUNT STEEL TUBE 30" LONG
	75-2441-1	6PR	FENDER MOUNT STEEL TUBE 32" LONG
	75-2410-10-3	3PR	MOUNTING HARDWARE KIT (PER PAIR)
	75-2410-10-3-2	AR	FENDER MOUNT TUBE PLASTIC BRACKET (4 PER PACK)
	75-2410-10-3-2-1	AR	FENDER MOUNT TUBE PLASTIC BRACKET ONLY
11		6	CALL FACTORY W/ TRAILER SERIAL NUMBER 1-800-325-9103
12	52-0051	1	SAFETY CHAIN, 40,000# CAPACITY

SUSPENSION
XTSSW4500B, XTSS4530B, XTSS4536B

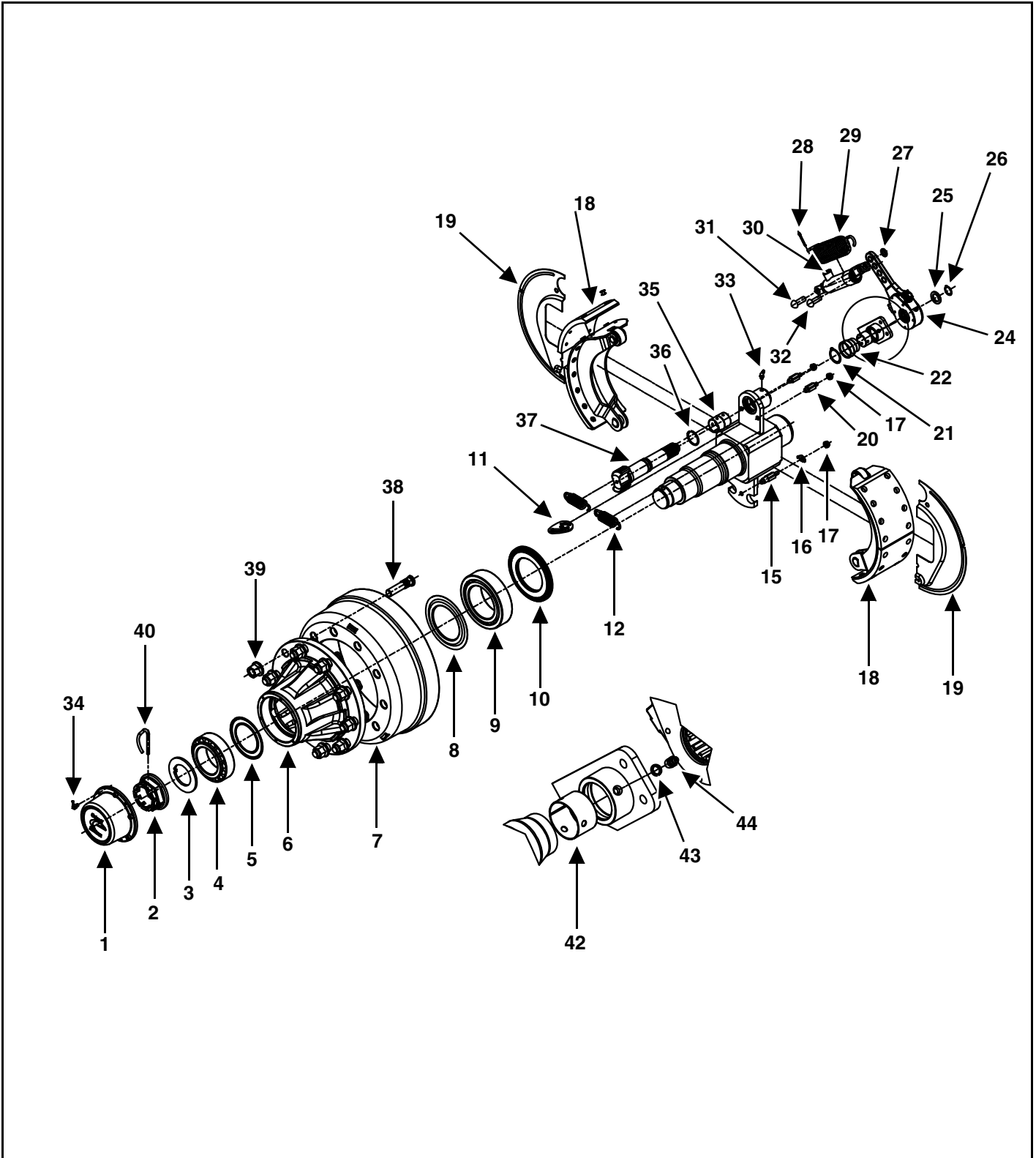
RIGHT SIDE OF THE SUSPENSION REPRESENTED
 LEFT SIDE SYMMETRIC

AXLES NOT REPRESENTED



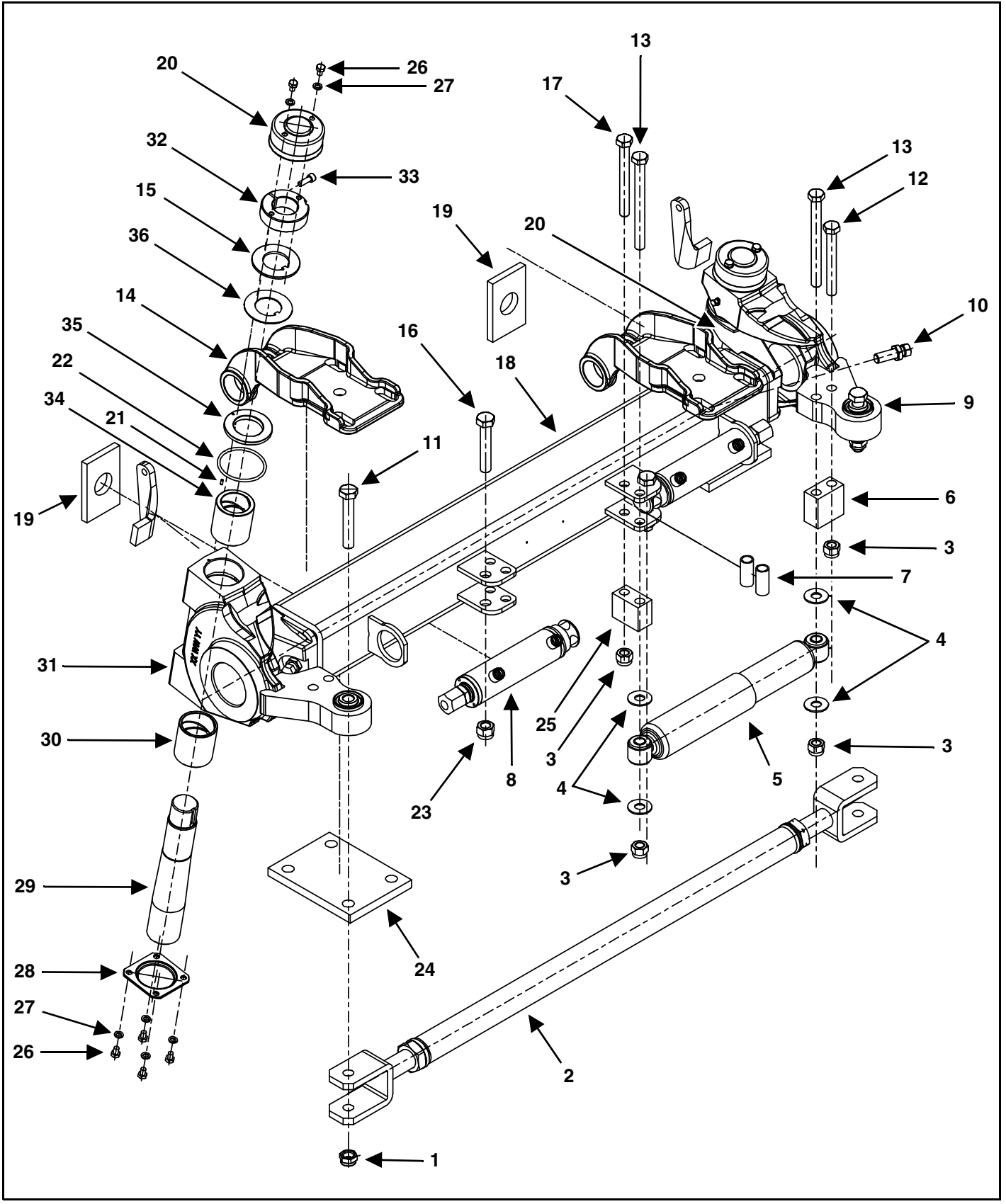
KEY	PART NUMBER	QTY	DESCRIPTION
1	75-4500-1-5-3	2	RH/LH FRONT HANGER BRACKET
2	75-4500-1-5-1	2	RH CENTER HANGER BRACKET ASSEMBLY
	75-4500-1-5-2	2	LH CENTER HANGER BRACKET ASSEMBLY
3	75-4500-1-5-18	4	COTTER PIN (See K1)
4	75-4500-1-5-19	4	CASTLE NUT M39 x 200 (See K1)
5	75-4500-1-5-12	12	U-BOLT
6	75-4500-1-5-11	6	CLAMPING WEDGE
7	75-4500-1-5-10	6	SPRING ASSEMBLY
8	75-4500-1-5-8-1	6	ADJUSTABLE ROD HEAD ASSEMBLY HANGER SIDE
	75-4500-1-5-8-6-1	6	BUSHING
	75-4500-1-5-8-7	6	WASHER
	75-4500-1-5-8-8	6	BOLT
	75-4500-1-5-8-9	6	NUT
9	75-4500-1-5-8-2	2	FRONT ADJUSTABLE THREADED ROD
10	75-4500-1-5-8-3	6	ADJUSTABLE ROD HEAD ASSEMBLY AXLE SIDE
	75-4500-1-5-8-6-1	6	BUSHING
	75-4500-1-5-8-7	6	WASHER
	75-4500-1-5-8-8	6	BOLT
	75-4500-1-5-8-9	6	NUT
11	75-4500-1-5-20	6	ROD INTERMEDIATE PLATE
12	75-4500-1-5-21	8	STIFFENING PLATE
13	75-4500-1-5-22	6	CLAMPING PLATE
14	75-4500-1-5-13	24	M24 SELF LOCK NUT
15	75-4500-1-5-9-1	4	CENTER/REAR ADJUSTABLE THREADED ROD
16	75-4500-1-5-4	2	RH/LH REAR HANGER BRACKET
17	75-4500-1-5-6	2	CENTER/REAR SPACER TUBE
18	75-4500-1-5-23	4	ROCKER SHAFT (See K1)
19	75-4500-1-5-5	1	FRONT SPACER TUBE
20	75-4500-1-5-8	4	CENTER/REAR ADJUSTABLE THREADED ROD ASSEMBLY
21	75-4500-1-5-9	2	FRONT ADJUSTABLE THREADED ROD ASSY
K1	75-4500-1K	4	PIN KIT (Includes 1 each of Keys 3, 4, and 18)

STEERING AXLE WHEEL END COMPONENTS
XTSS2226B, XTSSW4500B, XTSS4530B, XTSS4536B



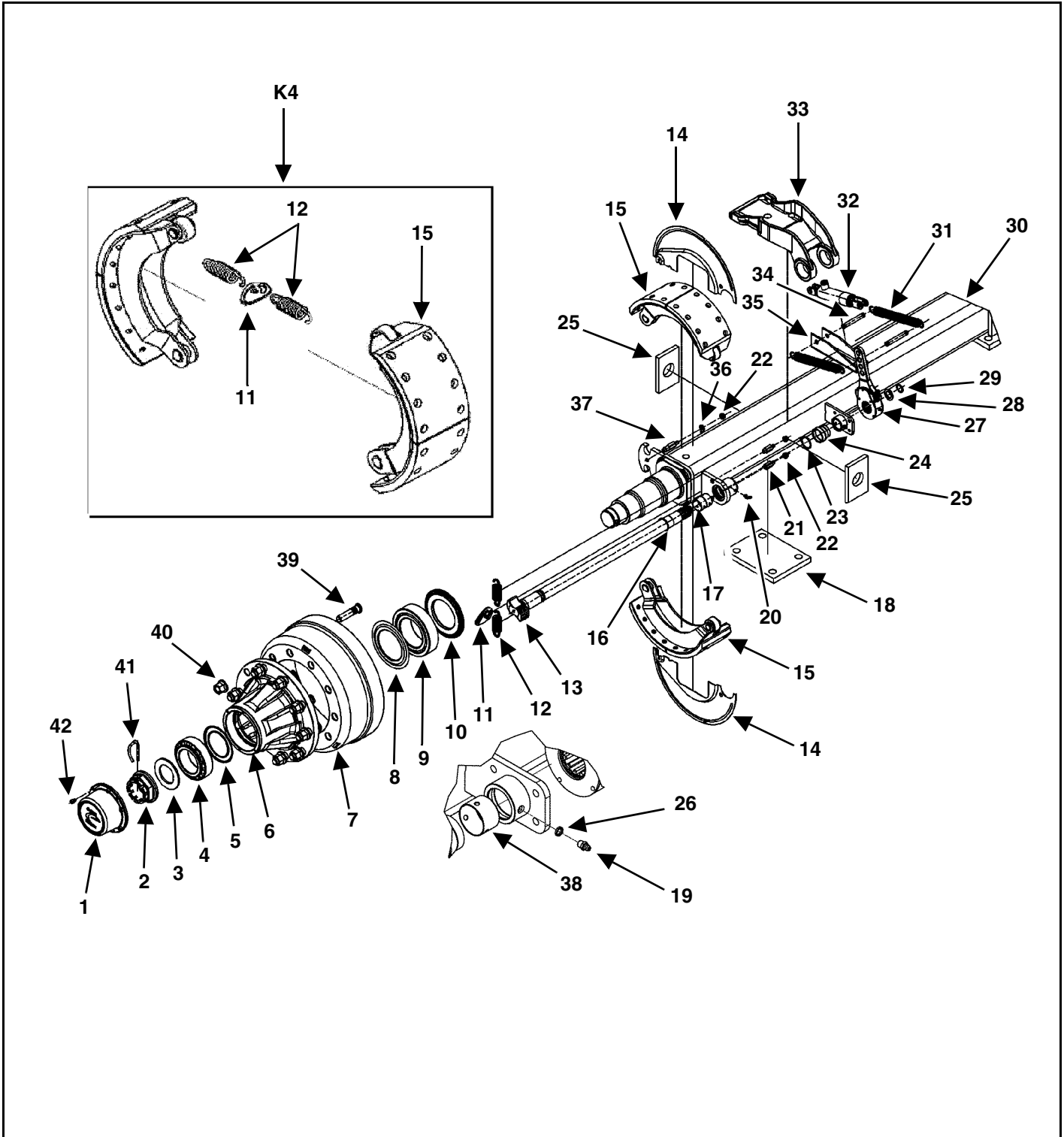
KEY	PART NUMBER	QTY	DESCRIPTION
1	75-4500-1-1-5-1	2	BOLT ON CAP (See K3)
2	75-4500-1-3-12	2	CROWN NUT (See K2)
3	75-4500-1-3-13	2	LOCK WASHER (See K2)
4	75-4500-1-1-4-1	2	BEARING
5	75-4500-1-1-3-2	2	GREASE SEAL (See K1)
6	75-4500-1-1	2	HUB
7	75-4500-1-1-6	2	DRUM
8	75-4500-1-1-3-3	2	GREASE SEAL (See K1)
9	75-4500-1-1-4-2	2	BEARING
10	75-4500-1-1-3-1	2	INDUSTRIAL GREASE SEAL (See K1)
11	75-4500-1-1-7-3	2	SPRING EXTENDER (See K5)
12	75-4500-1-1-7-2	4	SPRING (See K3 & K5)
13	75-4505-1-17	2	GREASE NIPPLE STRAIGHT (See K6)
14	75-4505-1-16	2	SLEEVE FOR GREASE NIPPLE (See K6)
15	75-4500-1-3-16	2	SPACER
16	75-4500-1-3-17	2	LOCK WASHER (See K7)
17	75-4500-1-3-18	6	NUT (See K7)
18	75-4500-1-1-7-1	4	BRAKE SHOE (See K5)
19	75-4500-1-3-19	2	PROTECTION PLATE (See K7)
20	75-4500-1-3-20	4	SPACER
21	75-4500-1-3-21	2	SNAP RING (See K6)
22	75-4500-1-3-22	2	RUBBER CAP (See K6)
23	75-4505-1-15	2	BUSHING (See K6)
24	75-4500-1-3-1	4	SLACK ADJUSTER
25	75-4500-1-3-2	2	WASHER
26	75-4500-1-3-24	2	SNAP RING
27	75-4500-1-3-9	2	WASHER
28	75-4500-1-3-25	2	SPLIT PIN
29	75-4500-1-3-6	2	RETURNING ACTION SPRING
30	75-4500-1-3-5	2	CYLINDER
31	75-4500-1-3-26	2	PIN FOR CYLINDER (See K6)
32	75-4500-1-3-27	2	PIN FOR CLEVIS
33	75-4500-1-3-28	2	GREASE NIPPLE 45 DEGREE (See K6)
34	75-4500-1-3-34	12	SOCKET HEAD SCREW (See K3)
35	75-4500-1-3-30	4	BUSHING (See K6)
36	75-4500-1-3-31	2	O-RING
37	5-4500-1-3-32-L	1	CAMSHAFT LEFT
	75-4500-1-3-32-R	1	CAMSHAFT RIGHT
38	75-4500-1-1-1-1	20	M22 x 150 STUD (See K4)
39	75-4500-1-1-2-1	20	M22 x 150 STUD NUT
40	75-4500-1-3-33	2	SPRING PIN FOR NUT (See K2)
K1	75-4500-1-1-3	1	OIL SEAL RING KIT (Includes 1 each of Keys 5, 8, 10)
K2	75-4500-1-3-12-AS	1	CASTLE NUT, WASHER, & COTTER PIN KIT (Includes 2 each of Keys 2, 3, 40)
K3	75-4500-1-1-5	1	CAP KIT - INCLUDES CAP & HARDWARE (Includes 2 of Key 1, 12 of Key 34)
K4	75-4500-1-1-1	1	WHEEL STUD KIT (Includes 10 of Key 38)
K5	75-4500-1-1-7	1	BRAKE LINER KIT (Includes 1 of Key 11 and 2 each of Keys 12, 18)
K6	75-4500-1-4-10	1	23, 13 and 4 each of Keys 35, 14)
K7	75-4500-1-3-19-K	1	PROTECTION PLATE KIT (Includes 1 each of Keys 16, 19 and 4 of Key 17)

STEERING COMPONENTS
XTSS2226B, XTSSW4500B, XTSS4530B, XTSS4536B



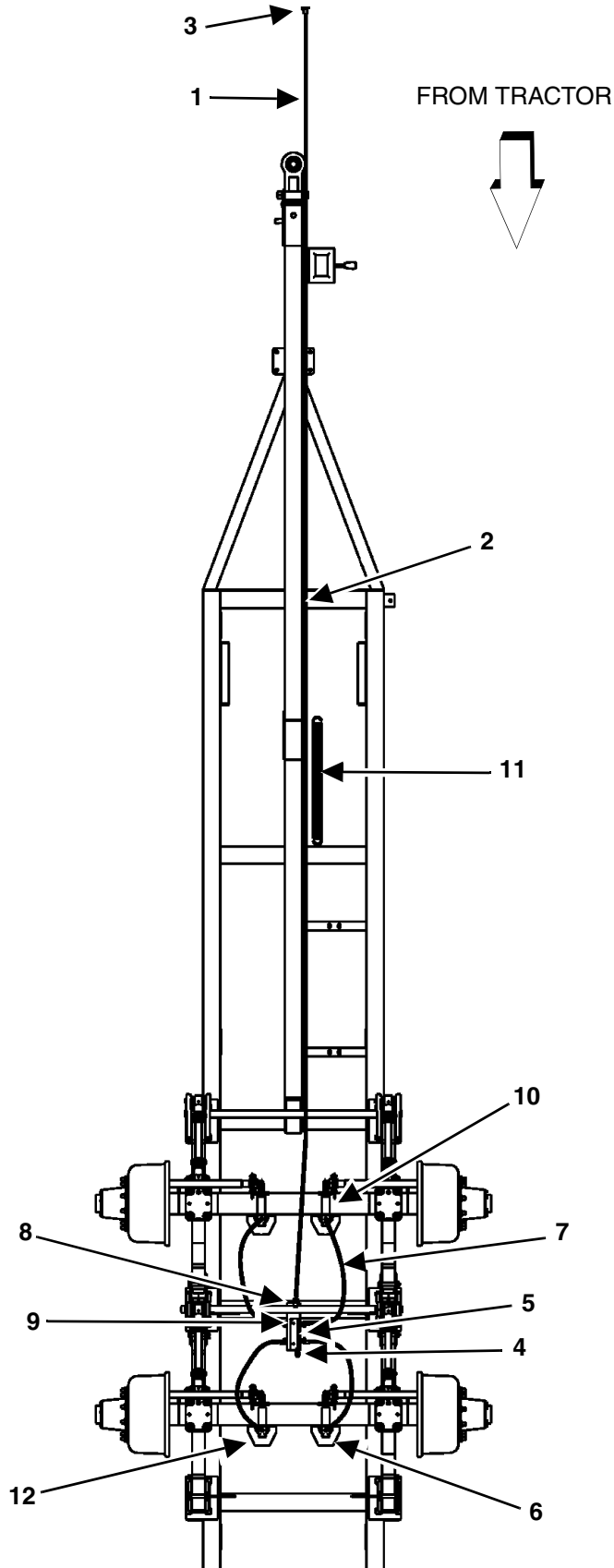
KEY	PART NUMBER	QTY	DESCRIPTION
1	75-4500-1-3-35	2	SELF LOCKING NUT M22 x 1.50
2	75-4500-1-3-11	1	COUPLING BAR
3	75-4500-1-3-36	6	SELF LOCKING NUT M20 x 2.50
4	75-4500-1-3-37	4	WASHER
5	75-4500-1-3-38	2	SHOCK ABSORBER
6	75-4500-1-3-39	1	SPACER L75
7	75-4500-1-3-40	2	SPACER L60
8	75-4500-1-3-41	2	HYDRAULIC CYLINDER
9	75-4500-1-3-101	1	RIGHT OUTER STEERING ARM WELDMENT
10	75-4500-1-3-43	1	BOLT SPECIAL M20 x 1.50 L80 (See K3)
11	75-4500-1-3-44	2	SCREW M22 x 3.00 L140
12	75-4500-1-3-45	1	SCREW M20 x 2.50 L160
13	75-4500-1-3-46	2	SCREW M20 x 2.50 L220
14	75-4500-1-5-20	2	ROD INTERMEDIATE PLATE
15	75-4505-1-23	2	SPACER FOR RING NUT (See K1)
16	75-4500-1-3-48	2	SCREW M22 x 3.00 L120
17	75-4500-1-3-49	1	SCREW M20-180, 8.8
18	75-4500-1-3-WT-1	1	STEERING AXLE WELDMENT
19	75-4500-1-5-21	2	STIFFENING PLATE
20	75-4500-1-2-2-1	2	CAP UPPER (See K1)
21	75-4505-1-27	4	ELASTIC PIN (See K1)
22	75-4500-1-2-2-3	2	O-RING (See K1)
23	75-4500-1-3-54	2	SELF LOCKING NUT M22 x 2.50
24	75-4500-1-5-22	2	CLAMPING PLATE
25	75-4500-1-3-55	1	SPACER L60
26	75-4500-1-2-2-4	12	SCREW M10 x 1.50 L14 (See K1)
27	75-4500-1-2-2-5	12	GROWER WASHER M10 (See K1)
28	75-4500-1-2-2-2	2	CAP LOWER WITH GASKET (See K1)
29	75-4505-1-30	2	PIN SELF STEERING AXLE (See K1)
30	75-4500-1-2-1-1	2	BUSHING (See K2)
31	75-4500-1-3-102	1	LEFT OUTER STEERING ARM WELDMENT W / SPINDLE
32	75-4505-1-22	2	RING NUT M55 x 2.00 (See K1)
33	75-4500-1-2-3-6	2	SCREW M10 x 1.50 L30
34	75-4500-1-2-1-2	2	BUSHING (See K2)
35	75-4505-1-26	2	WASHER FOR RING NUT (See K1)
36	75-4505-1-25	2	WASHER FOR RING NUT (See K1)
K1	75-4500-1-2-3	1	STEERING AXLE PIVOT PIN AND CAP / GASKET / O-RING KIT (Includes 1 each of Keys 15, 20-22, 28, 29, 32, 35, 36, and 6 each of Keys 26 & 27)
K2	75-4500-1-2-1	1	AXLE BUSHING KIT (Includes 2 each of Keys 30 & 34)
K3	75-4500-1-2-4	1	STOP KIT (Includes 4 of Key 10)

AXLE COMPONENTS, RIGID AXLE
 XTSS2226B, XTSSW4500B, XTSS4530B, XTSS4536B



KEY	PART NUMBER	QTY	DESCRIPTION
1	75-4500-1-1-5-1	2	BOLT ON CAP (See K3)
2	75-4500-1-3-12	2	CROWN NUT M70 x 200 (See K2)
3	75-4500-1-3-13	2	LOCK WASHER (See K2)
4	75-4500-1-1-4-1	2	BEARING
5	75-4500-1-1-3-2	2	GREASE SEAL (See K1)
6	75-4500-1-1	2	HUB
7	75-4500-1-1-6	2	DRUM
8	75-4500-1-1-3-3	2	GREASE SEAL (See K1)
9	75-4500-1-1-4-2	2	BEARING
10	75-4500-1-1-3-1	2	INDUSTRIAL GREASE SEAL (See K1)
11	75-4500-1-1-7-3	2	SPRING EXTENDER (See K4 & K5)
12	75-4500-1-1-7-2	4	SPRING (See K4 & K5)
13	75-4500-1-4-3-L	1	CAMSHAFT LEFT
	75-4500-1-4-3-R	1	CAMSHAFT RIGHT
14	75-5400-1-4-4	2	PROTECTION PLATE (See K7)
15	75-4500-1-1-7-1	4	BRAKE SHOE (See K4)
16	75-4500-1-3-31	2	O-RING (See K6)
17	75-4500-1-3-30	4	BUSHING (See K6)
18	75-4500-1-5-22	2	CLAMPING PLATE
19	75-4505-1-17	2	GREASE NIPPLE STRAIGHT (See K6)
20	75-4500-1-3-28	2	GREASE NIPPLE 45 DEGREE (See K6)
21	75-4500-1-3-20	4	SPACER M12 x 1.75 M10 x 1.50 L53
22	75-4500-1-3-18	6	NUT, M10 x 1.50 (See K7)
23	75-4500-1-3-21	2	SNAP RING (See K6)
24	75-4500-1-3-22	2	RUBBER CAP FOR CAM SHAFT (See K6)
25	75-4500-1-5-21	4	STIFFENING
26	75-4505-1-16	2	SLEEVE FOR GREASE NIPPLE (See K6)
27	75-4500-1-3-1	2	SLACK ADJUSTER
28	75-4500-1-3-2	2	WASHER M26
29	75-4500-1-3-24	2	SNAP RING
30	75-4500-1-4-WT-1	1	BODY AXLE WELDMENT
31	75-4500-1-4-1	4	RETURNING ACTION SPRING
32	75-4500-1-3-5	2	CYLINDER
33	75-4500-1-4-7	2	PLATE ROD SUPPORT
34	75-4500-1-4-2	4	PIN FOR 2 SPRINGS
35	75-4500-1-4-8	2	CYLINDER SUPPORT
36	75-4500-1-3-17	2	LOCK WASHER 10 DIA (See K7)
37	75-4500-1-3-16	2	SPACER M12 x 1.75 M10 x 1.50 L72
38	75-4505-1-15	2	BUSHING (See K6)
39	75-4500-1-1-1-1	20	STUD M22 x 1.50 L99
40	75-4500-1-1-2-1	20	STUD NUT M22 x 1.50
41	75-4500-1-3-33	2	SPRING PIN FOR NUT (See K2)
42	75-4500-1-3-34	12	SOCKET HEAD SCREW (See K3)
K1	75-4500-1-1-3	1	OIL SEAL RING KIT (Includes 1 each of Keys 5, 8 & 10)
K2	75-4500-1-3-12-AS	1	CROWN NUT KIT (Includes 2 each of Keys 2, 3 & 41)
K3	75-4500-1-1-5	1	CAP KIT (Includes 2 of Key 1 and 12 of Key 42)
K4	75-4500-1-1-7	1	BRAKE SHOE KIT (Includes 2 of Keys 12 & 15 and 1 of Key 11)
K5	75-4500-1-1-10	1	SPRING KIT(Includes 2 of Key 11 & 4 of Key 12)
K6	75-4500-1-4-10	1	CAMSHAFT KIT - CAMS NOT INCLUDED (Includes 2 each of Keys 16, 20, 23, 24, 38, 19 and 4 each of Keys 17 & 26)
K7	75-4500-1-4-11	1	PROTECTION PLATE KIT (Includes 1 each of Keys 14 & 36 and 4 of Key 22)

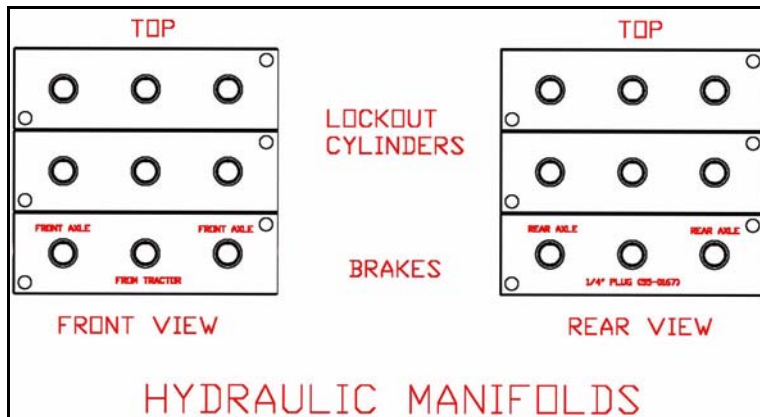
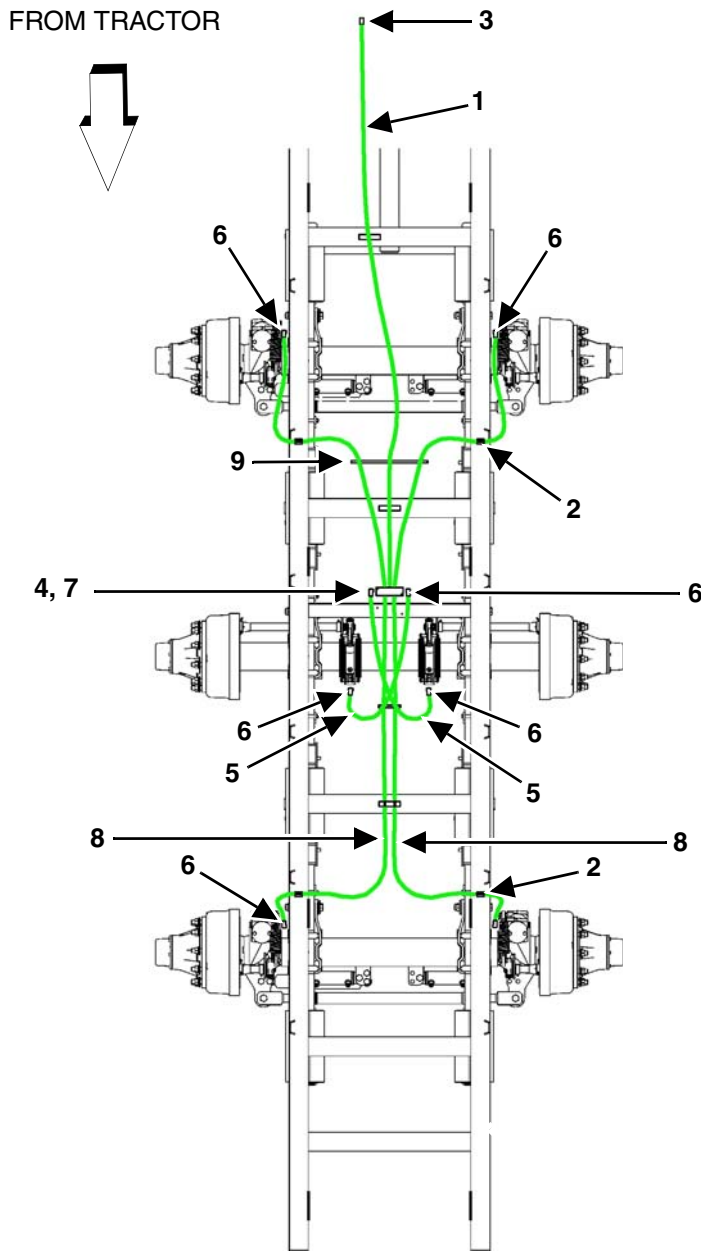
HYDRAULIC BRAKE SYSTEM, FOOT PEDDLE CONTROL (FPC)
XTS-24, XTS-30, XTS-22XL BRAKE-FPC



KEY	PART NUMBER	QTY	DESCRIPTION
1	55-0217	1	1/4" x 344" Hose (XTS2400B & XTSW2400B)
	55-0218	1	1/4" x 396" Hose (XTS3000B, XTS3000-SB, XTSW3000-SB)
2	32-0033	3/7	1/2" Loom Clamp
3	55-0212	1	Flat Faced Coupler
4	955-3809	1	3/8" Solid Plug
5	57-0046-FPC	1	Brake Manifold Less Relief
6	75-2410-12	8	Brake Cylinder Mount Bracket (Prior to SN 0924205, 0930205)
	75-2410-8	4	Brake Cylinder Bracket Welded Assy. (SN 0924205, 0930205 & Later)
7	55-0192	4	1/4 x 40" Hose
8	155-5406-6-4	1	3/8 to 1/4" Male to Female Bushing
9	55-0191	4	1/4" Male to 1/4" Female Swivel Coupler
10	955-3772-SPO	4	Brake Cylinder W/Spring Pull Off
11	29-0012	1	Hose Support Spring (XTS3000B, XTS3000-SB, XTSW30-276SB)
	811-2520-1Z	2	1/4-20 x 1" Eyebolt (XTS3000B, XTS3000-SB, XTSW30-276SB)
	810-2520-Z	4	1/4-20 Spin Locknut (XTS3000B, XTS3000-SB, XTSW30-276SB)
12	55-0195	4	90° Elbow (Prior to SNs 0924205, 0930205)
NS	65-0006-5	4	14" Nylon Tie Strap

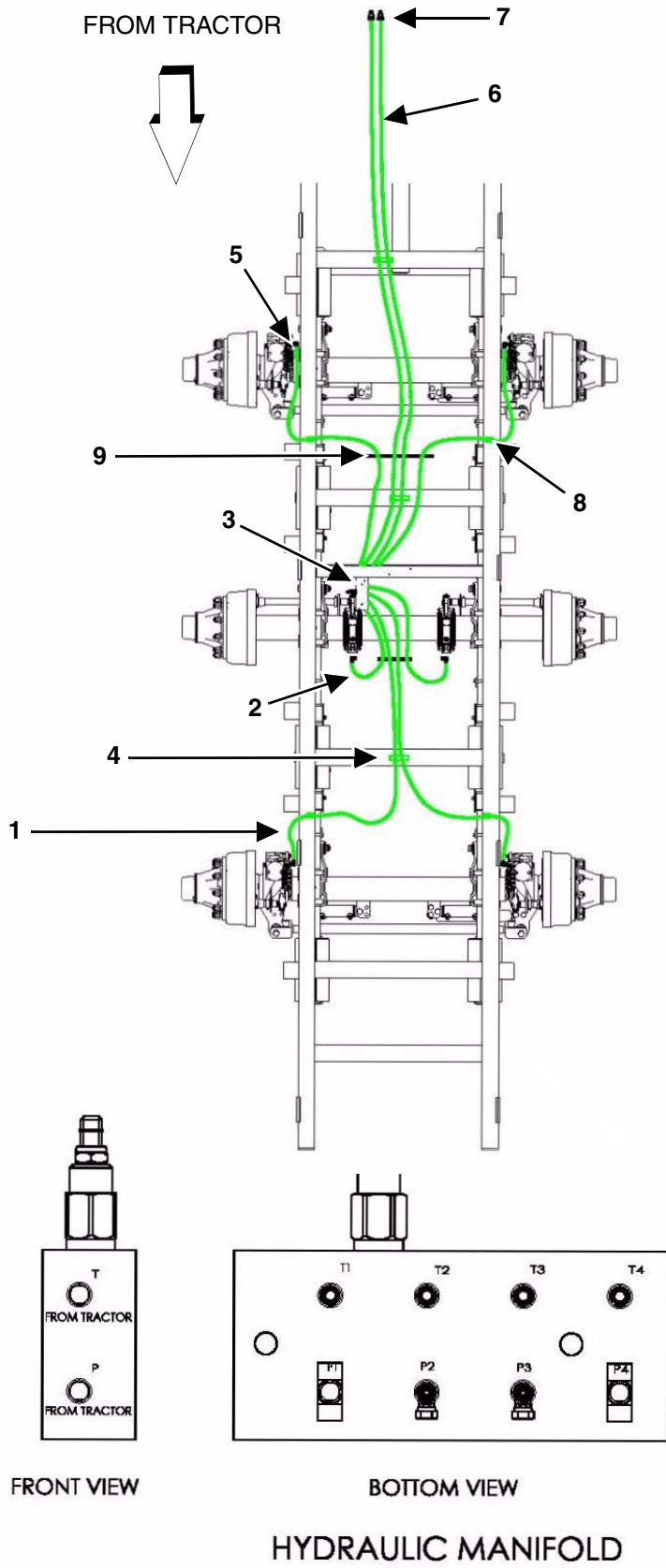
KEY	PART NUMBER	QTY	DESCRIPTION
1	55-0217	2	1/4 x 344" Hose (XTS2400B & XTSW2400B)
	55-0218	2	1/4 x 396" Hose (XTS3000B, XTS3000-SB, XTSW3000-SB)
2	32-0033	3/7	3/4" Loom Clamp
3	55-0213	2	Male Tips
4	55-0167	4	1/4" SQUARE PLUG
5	57-0046	1	RELIEF VALVE MANIFOLD BLOCK
6	75-2410-8	4	BRAKE CYLINDER BRACKET
7	55-0192	4	1/4" x 40" HOSE
8	29-0012	1	HOSE SUPPORT SPRING (XTS3000B, XTS3000-SB, XTSW3000-SB ONLY)
	811-2520-1Z	2	1/4-20 x 1" EYEBOLT (XTS3000B, XTS3000-SB, XTSW3000-SB ONLY)
	810-2520-Z	4	1/4-20 SPIN LOCKNUT (XTS3000B, XTS3000-SB, XTSW3000-SB ONLY)
9	55-0191	4	1/4 MALE TO 1/4 FEMALE SWIVEL COUPLER
10	955-3772-SPO	4	BRAKE CYLINDER
NS	65-0006-5	4	14" NYLON TIE STRAPS
NS	952-0001-7	3	7-1/4" NYLON TIE STRAPS

HYDRAULIC BRAKE SYSTEM, FOOT PEDDLE CONTROL (FPC)
 XTSS-45-BRAKE-FPC



KEY	PART NUMBER	QTY	DESCRIPTION
1	55-0218	1	HOSE ASSEMBLY, 1/4" x 396" - 1/4" MPT x 1/2" MPT
2	32-0033	5	1/2" LOOM CLAMP
3	55-0212	1	FEMALE FLAT FACE COUPLER
4	55-0167	1	1/4" SQUARE HEAD PLUG
5	55-0192	2	1/4 x 40" HOSE
6	55-0196	8	3/8M x 1/4" SWIVEL FEMALE x 90 DEGREE ELBOW
7	57-0050	1	BLOCK MANIFOLD
8	955-3770	4	1/4 x 84" HOSE
9	65-0006-5	2	14" NYLON TIE STRAPS

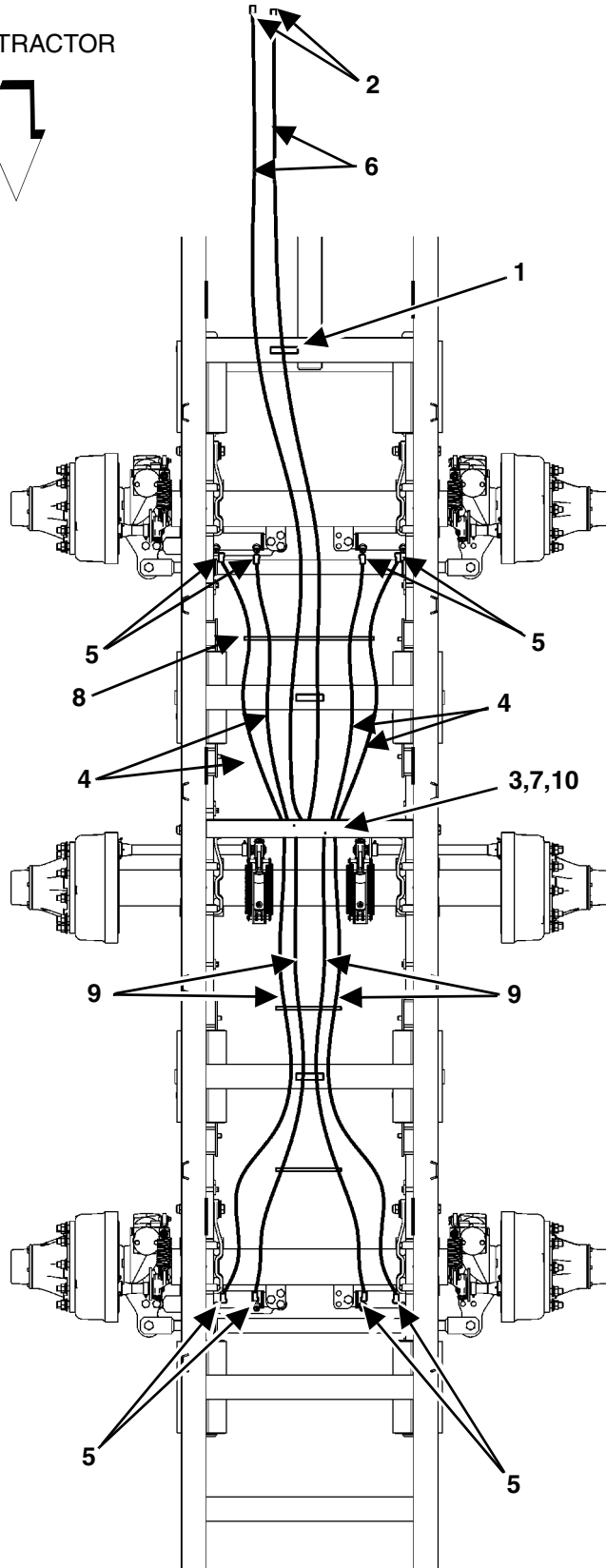
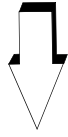
HYDRAULIC BRAKE SYSTEM, HAND LEVER CONTROL (HLC)
 XTSS-45-BRAKE-HLC



KEY	PART NUMBER	QTY	DESCRIPTION
1	955-3770	4	1/4" x 84" Hose Assembly 1/4" MPT Both Ends
2	55-0192	2	1/4" x 40" Hose Assembly 1/4" MPT Both Ends
3	57-0046	1	Hydraulic Manifold
4	32-0035	1	2" Loom Clamp
5	55-0196	6	3/8" MPT x 1/4" F Swivel 90° Elbow
6	55-0218	2	1/4" x 396" Hose 1/4" MPT x 1/2" MPT
7	55-0013	2	1/2" Male Pioneer Ends
8	32-0033	4	1/2" Loom Clamp
9	65-0006-5	1	14" Nylon Tie Strap

HYDRAULIC STEERING LOCKOUT SYSTEM

FROM TRACTOR



KEY	PART NUMBER	QTY	DESCRIPTION
1	32-0035	6	2" LOOM CLAMP, VINYL COATED STEEL
2	55-0013	2	PIONEER COUPLER MALE TIPS
3	55-0167	2	1/4" SQUARE HEAD PLUG
4	55-0194	4	1/4 x 62-1/2" HYDRAULIC HOSE
5	55-0196	8	3/8 M x 1/4" SWIVEL FEMALE x 90 DEGREE ELBOW
6	55-0218	2	1/4 x 396" HOSE
7	57-0050	2	BLOCK MANIFOLD
8	65-0006-5	3	14" NYLON TIE STRAPS
9	955-3770	4	1/4 x 84" HYDRAULIC HOSE
10	955-3809	4	3/8" SQUARE HEAD PLUG



10.0 SPECIFICATIONS

SUSPENSION TRAILER SPECIFICATIONS

SUSPENSION TRAILER SPECIFICATIONS				
Trailers (Pull Type)	XTS2200B XTS2200LB XTS2200XLB XTSS2226B	XTSW2400B	XTSW3000-SB	XTSSW4500B XTSS4530B XTSS4536B
Frame	4x8 tubing	4x8 tubing	4x8 tubing	4x8 tubing
Capacity (trailer/spreader/load)	46,000#	48,000#	60,000#	90,000#
Axle Configuration	tandem - non steer	tandem - non steer	tandem - non steer	tridem - steerable
	25,000# x 2 - high speed-ag	25,000# x 2 - high speed-ag	30,000# x 2 - high speed-ag	33,000# x 3 - high speed-ag
Style	Fixed Spring Suspension	Fixed Spring Suspension	Sliding Spring Suspension	Fixed Spring Suspension
Hub	Oil Bath - 10 Bolt	Oil Bath - 10 Bolt	Oil Bath - 10 Bolt	10 Bolt
Articulating Implement Hitch	Extra Heavy Duty Adjustable, Swivel Clevis Hitch	Std - Requires 1.5 or 2" pin Hammerstrap style hitch	Std - Requires 1.5 or 2" pin Hammerstrap style hitch	Std - Requires 1.5 or 2" pin Hammerstrap style hitch
Fender Set	Standard	Standard	Standard	Standard
Tire Options:	600/50 x 22.5 high floatation	600/50 x 22.5 high floatation	600/50 x 22.5-HD high floatation	600/50 x 22.5-HD high floatation
	425/65 x 22.5 new truck tires	425/65 x 22.5 new truck tires	425/65 x 22.5 new truck tires	425/65 x 22.5 new truck tires
	11R x 22.5 new dual truck tires	11R x 22.5 new dual truck tires	11R x 22.5 new dual truck tires	11R x 22.5 new dual truck tires
Brakes (air, hyd or foot pedal)	Optional	Optional	Optional	Optional-no air option
Safety Chain	Optional	Optional	Optional	Optional
Model & Specifications subject to change without notice or obligation				





Meyer Manufacturing Corporation

674 W. Business Cty Rd A

Dorchester, WI 54425

Phone: 1-800-325-9103

Fax: 715-654-5513

Email: sales@meyermfg.com

Website: www.meyermfg.com