

OPERATORS AND PARTS MANUAL NO. 98-6-SR

MEYER

R SERIES TWIN EXPELLER SUPER SPREADER

MODELS: 2636T
3245T
3954T

DO NOT OPERATE EQUIPMENT UNTIL THIS MANUAL HAS BEEN READ AND UNDERSTOOD.

MEMBER



Manufactured by
Meyer Mfg. Corp.

County Hwy. A West
P.O. Box 405
Dorchester, Wisconsin 54425
Phone 715-654-5132 • FAX 715-654-5513
1-800-325-9103
E-mail: sales@meyermfg.com



TABLE OF CONTENTS

Page No.

TABLE OF CONTENTS	1
PRODUCT REGISTRATION & INSPECTION CERTIFICATE	Insert
MANUFACTURER'S WARRANTY	2
INTRODUCTION.....	3
SAFETY PRECAUTIONS	4
PRE-OPERATION	7
TRANSPORTING	8
FREEZING WEATHER OPERATION	8
OPERATION.....	9
LOADING.....	9
UNLOADING	9
STORAGE AFTER USE	10
ADJUSTMENTS.....	11
PTO FRICTION CLUTCH ADJUSTMENT.....	11
"RUN IN" OF THE MULTIDISC CLUTCH.....	12
SPINNER MATERIAL GUIDES	12
FRONT DRIVE ROLLER CHAINS	13
LUBRICATION	15
LUBRICATION & ADJUSTMENT FOR OPTIONAL 3RD AUGER.....	16
REPAIR PARTS.....	20
"TROUBLE SHOOTING".....	31
"MAINTENANCE RECORD"	33
"SPECIFICATIONS"	34

NEW MEYER SUPER SPREADER PRODUCT REGISTRATION & INSPECTION CERTIFICATE

This "Product Registration & Inspection Certificate" must be processed immediately upon delivery and promptly returned to Meyer Mfg. Corp. to validate the manufacturer's warranty. Please return with this certificate the "Owner's Registration Form," which is found stapled to the original Meyer Mfg. Corp. billing invoice.

PRE-DELIVERY CHECK LIST

After the New Meyer Super Spreader has been completely set up, check to be certain it is in correct running order before delivering it to the customer. The following is a list of points to inspect. Check off each item as you have made the proper adjustments and found the item operating satisfactorily. Any adjustments made MUST be according to specifications defined in this manual.

- All shields and guards are in place and securely fastened.
- PTO shields turn freely
- All bolts and other fasteners are secure and tight.
- All mechanisms operate trouble free.
- All roller chain springs adjusted properly for automatic tensioning. See "Adjustments" section in this manual.
- All grease fittings have been lubricated, gear boxes filled with oil to proper levels, and all roller chains are oiled. See "Lubrication" section in this manual.
- Both LR and RR Spinner Material Guides are adjusted properly. See "Adjustments" section in this manual.

Salesperson's Name

Dealer's Name

Dealer's Complete Address

Dealer's Phone No.

Signature of Pre-Delivery Inspector

Date of Inspection

Spreader Model No.

Spreader Serial No.

DELIVERY CHECK LIST

The following check list is an important reminder of valuable information that MUST be passed on to the customer at the time the unit is delivered. Check off each item as you explain it to the customer.

- Explain to the customer that pre-delivery inspection was fully completed.
- Give customer the Operator's & Parts Manual. Instruct to read and completely understand its contents BEFORE attempting to operate the spreader.
- Explain and review with customer the New Meyer Super Spreader manufacturer's warranty.
- Explain and review with customer the "Safety Precautions" section of this manual.
- Explain and review with customer the recommended loading and unloading procedures for different types of manure.
- Demonstrate the PTO Shaft Locking Device and PTO Friction Slip Clutch Adjustment. Also, demonstrate the manual operation of the Trip Pan Doors and proper way to adjust the Rear Spinner Material Guides.
- Explain that regular lubrication and proper adjustments are required for continued proper operation and long life of the spreader. Review with customer the "Lubrication" and "Adjustments" sections of this manual.
- Fully complete this "Product Registration and Inspection Certificate," have the customer sign it and promptly return it along with the "Owner's Registration Form" to Meyer Mfg. Corp.

I acknowledge that above points were reviewed with me at the time of delivery.

Customer's Signature

Customer's Complete Address

Customer's Phone No.

Date of Delivery

WHITE - MEYER MFG. CORP.	YELLOW - DEALER	PINK - CUSTOMER
--------------------------	-----------------	-----------------

NEW MEYER SUPER SPREADER MANUFACTURER'S WARRANTY

- I. The "Product Registration & Inspection Certificate" along with the original billing invoice "Owners Registration Form" must be completed in full and promptly returned to Meyer Mfg. Corp. for this warranty to become both valid and effective. All warranties on New Meyer Super Spreaders shall apply only to the original retail customer from an authorized Meyer Mfg. Corp. dealership.
- II. This warranty shall not apply to any Meyer Super Spreader which has been subjected to misuse, negligence, alteration, accident, incorrect operating procedures, or which shall have been repaired with parts other than those obtained through Meyer Mfg. Corp.
- III. Meyer Mfg. Corp. warrants New Meyer Super Spreaders to be free from defects in material and workmanship under recommended use and maintenance service, as stated in the Operator's and Parts Manual," as follows:
 - A. Meyer Mfg. Corp. will repair or replace F.O.B. Dorchester, WI, as Meyer Mfg. Corp. elects, any part of a new Meyer Super Spreader which is defective in material or workmanship:
 1. Without charge for either parts or labor during the first (1) year from purchase date to the original retail customer.
 - B. In addition to the above basic warranty, Meyer Mfg. Corp. will repair or replace F.O. B. Dorchester, WI as Meyer Mfg. Corp. elects:

Ten (10) Years: After a period of (1) year, the spreader tank body is warranted against rust-through for an additional period of (9) years. (Pro-Rated Parts Only). Parts included, front and rear end panels, side panels, and auger trough.
- IV. COMMERCIAL USE: Coverage as in paragraph III A1 ONLY, except warranty coverage is for (90) days for parts and labor to the original commercial retail customer.
- V. Repairs eligible for labor warranty must be made by Meyer Mfg. Corp. or an authorized Meyer dealership. The original retail customer is responsible for the transportation of the super spreader to the dealership for warranty service or for any service call expenses.
- VI. Except as state above, Meyer Mfg. Corp. shall not be liable for injuries or damages of any kind or nature, direct, consequential, or contingent, to persons or property. This warranty does not extend to loss of crop or for any other reasons.
- VII. No person is authorized to give any other warranties or to assume any other obligation on Meyer Mfg. Corp.'s behalf unless made or assumed in writing by Meyer Mfg. Corp. This warranty is the sole and exclusive warranty which is applicable in connection with the manufacture and sale of this product and Meyer Mfg. Corp.'s responsibility is limited accordingly.
- VIII. This warranty is effective on all sales of Meyer Super Spreaders made after January 1, 1992.

INTRODUCTION

Congratulations on your purchase of a new Meyer farm equipment product. Undoubtedly you have given much consideration to your purchase and we're proud that you have selected Meyer. Pride in craftsmanship, engineering and customer service have made Meyer products the finest in the farm equipment industry today.

There is no substitute for quality. That is why thousands of people like you have purchased Meyer farm equipment. They felt it was the best equipment to serve their farming needs, now and in years to come. We ask that you follow our policy of "safety first," and we strongly suggest that you read through the owner's manual before operating your Meyer farm equipment.

Meyer Manufacturing Corporation wants to thank you for not compromising quality. We are determined to offer excellence in customer service as well as provide you with the very best value for your dollar.

REMEMBER:

**FARM EQUIPMENT BUYERS
TRUST THE NAME MEYER!**

Sincerely,

All Employees of
MEYER MANUFACTURING CORPORATION

Meyer Mfg. Corp. reserves the right to make improvements in design, or changes in specifications at any time, without incurring any obligation to owners of units previously sold.

This supersedes all previous published instructions.

IMPORTANT:

At the front of this manual is a Product Registration and Inspection Certificate. Be sure your dealer has completed this certificate and promptly forwarded a copy to Meyer Mfg. to validate the manufacturer's warranty. The product model and serial number are recorded on this certificate and below for proper identification of your Meyer Super Spreader by your dealer and the manufacturer when ordering repair parts. The serial number plate is found on the upper left front corner of the spreader tank or stamped in the left front frame channel.

Model No. _____


Serial No. _____


Date of Purchase _____

At the back of this manual is the repair parts section. All replacement parts are to be obtained from or ordered through your Meyer dealership. When ordering repair parts, refer to the parts section and give complete information including quantity, correct part number, detailed description and even Model No. and Serial No. of the Meyer Super Spreader which needs repair parts.

NOTE: All references to right hand (RH), left hand (LH), front and rear apply to the product as viewed from the rear of the spreader.

SAFETY PRECAUTIONS

 This symbol; is used to call attention to instructions concerning personal safety. Be sure to observe and follow these instructions. Take time to be careful!

 **WARNING: BEFORE ATTEMPTING TO OPERATE THIS SPREADER, READ AND STUDY THE FOLLOWING SAFETY INFORMATION. IN ADDITION, MAKE SURE THAT EVERY INDIVIDUAL WHO OPERATES OR WORKS WITH THE SPREADER, WHETHER FAMILY MEMBER OR EMPLOYEE, IS FAMILIAR WITH THESE SAFETY PRECAUTIONS.**

Require anyone who will operate this spreader to read and completely understand this Owner's Manual. Give necessary instructions!

DO NOT operate, service, inspect or otherwise handle this spreader until all operators have read this Owner's Manual and have been properly trained in the intended usage of the spreader.

Do not allow minors (children) or inexperienced persons to operate this spreader.

If the spreader becomes clogged, shut off the tractor engine and allow all mechanisms to stop. Disconnect PTO shaft and hydraulic hoses (relieve hydraulic pressure). Then, clean or work on the spreader as required.

Always shut off power and disconnect PTO drive shaft and unhook hydraulic hoses (relieve hydraulic pressure) from tractor to prevent accidental startup or unexpected movement before working on machine.

Do not clean, adjust, or lubricate while spreader is in motion.

Make sure all hydraulic fittings are tight and that all hoses are in good condition. Hydraulic fluid escaping under pressure can have sufficient force to penetrate skin and cause serious injury. Never investigate for hydraulic leaks by using a part of the body to feel for escaping fluid.

Inspect when first delivered and regularly thereafter; that all connections and bolts are tight and secure before operating.

Know how to stop the spreader before starting it!

Do not operate until all shields, covers, and guards are in place.

Make certain everyone is clear of the spreader before applying power.

Keep hands, feet and clothing away from moving parts. Loose or floppy clothing should not be worn by the operator.

Stay well clear of the spreader's rear discharge spinners while operating.

Do not step up on any part of the spreader at any time. Do not use PTO guard as a step.

Do not step over the power take-off shaft. Stay clear of the PTO at all times.

Keep PTO shaft telescoping tube shields turning freely. Keep PTO master shield on tractor. Replace shields missing or damaged.

Never operate PTO above normal 540RPM rating. Never connect spreader PTO shaft to a 1000RPM tractor PTO, unless the spreader is equipped with a 1000 RPM optional kit.

Use only properly rated tires.

Do not tow at speeds in excess of 20 MPH when transporting this spreader. Never exceed a safe travel speed.

Observe all applicable traffic laws when transporting on public roadways (where legal to do so). Check local laws for all highway lighting and marking requirements.

Always install a SMV emblem on this spreader for transporting on roadways and keep the emblem clean and bright.

MEYER MFG. CORP. PROVIDES GUARDS FOR EXPOSED MOVING PARTS FOR THE OPERATOR'S PROTECTION; HOWEVER, SOME AREAS CANNOT BE GUARDED OR SHIELDED IN ORDER TO ASSURE PROPER OPERATION. THE OPERATOR'S MANUAL AND DECALS ON THE MACHINE ITSELF WARN YOU OF DANGERS AND MUST BE READ AND OBSERVED CLOSELY.

Study the Above Safety Rules

FAILURE TO HEED MAY RESULT IN SERIOUS PERSONAL INJURY OR DEATH.



SAFETY FIRST



A brief definition of signal words that are used in this manual is as follows:

⚠ DANGER indicates an imminently hazardous situation which, if not avoided, WILL result in death or serious injury.

⚠ WARNING indicates a potentially hazardous situation which, if not avoided, COULD result in death or serious injury.

⚠ CAUTION indicates a potentially hazardous situation which, if not avoided, MAY result in minor or moderate injury. It is also used to alert against unsafe practices.

⚠ WARNING

It is your responsibility to read, understand and follow the safe operating practices defined in the Operator's Manual supplied with this machine. (Require the same of all personnel who will operate this machine).

Failure to heed will result in death or personal injury. If the Manual is missing or damaged, obtain a replacement from your Dealer.

46-0001-35

WARNING

KEEP ALL SHIELDS IN PLACE WHILE MACHINE IS RUNNING

46-0001-4

⚠ DANGER

Moving Parts Inside Stay Clear

46-0001-5

WARNING

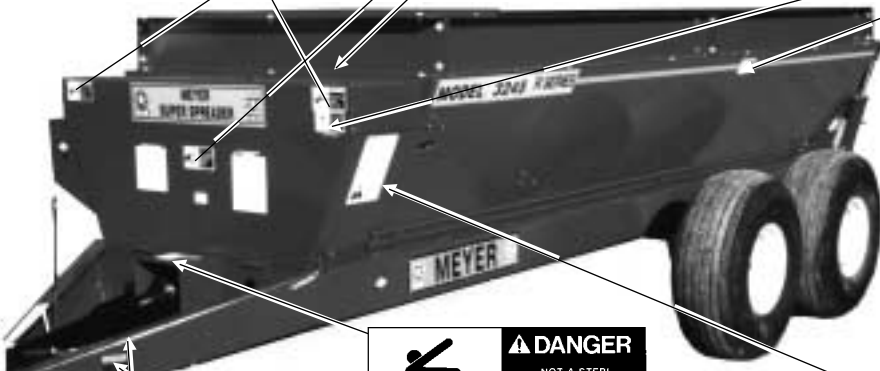
Close or replace guard before operating.

46-0001-26 (LOCATED INSIDE FRONT SHIELD)

⚠ DANGER

Moving Parts Inside Stay Clear

46-0001-5



⚠ DANGER

NOT A STEP!
This is a PTO Guard. Very serious injury or amputation could result from contact with rotating PTO shaft.

46-0004-2

⚠ DANGER

ROTATING DRIVE LINE
DEATH CAN RESULT FROM ENTANGLEMENT. KEEP PEOPLE AND CLOTHING WILL CLEAR.

DO NOT OPERATE WITHOUT:

- DRIVE LINE GUARDS
- INPUT SHAFT GUARDS
- TRACTOR MASTER SHIELD
- B JOINTS LOCKED TO TRACTOR AND IMPLEMENT BRACES

46-0001-13

ON PTO SHAFT

CAUTION

Do not use JACK Except when spreader is empty JACK will not support added weight

46-3600-6

SAFETY INSTRUCTIONS

SAFETY FIRST

(Do Not Operate This Machine Without Reading These Instructions)

Meyer Mfg. Corp. always takes the operator's safety into consideration when designing farm machinery by covering exposed moving parts for his protection; however some areas cannot be guarded or shielded in order to assure proper operation.

This safety alert symbol **⚠** means ATTENTION! BE CAREFULLY YOUR SAFETY IS INVOLVED! It stresses an attitude of HEADS UP FOR SAFETY, also read all other decals as they are also safety warnings. Remember: The careful operator is the best operator. Most accidents are caused by human error. Certain precautions must be observed to prevent the possibility of injury or damage.

Read the **⚠ HEADS UP!** Rules before you operate our equipment.

- DO NOT allow persons other than the authorized adult operator near the machine.
- DO NOT clean, adjust or lubricate the machine when any part is in operation.
- DO NOT hook a tractor with a 1000 RPM PTO speed to the unloader.
- DO NOT pass in front of discharge area of machine when implement is in operation.

IF THE MACHINE BECOMES CLOGGED, DISENGAGE POWER TAKE-OFF. REMOVE KEYS FROM TRACTOR, AND ALLOW ALL MECHANISMS TO STOP BEFORE CLEANING.

KEEP HANDS, FEET, CLOTHING AND HAIR AWAY FROM ALL MOVING PARTS WHEN MACHINE IS IN OPERATION. LOOSE OR FLOPPY CLOTHING SHOULD NOT BE WORN BY THE OPERATOR.

STOP ENGINE, WAIT FOR ALL MOVEMENT TO STOP BEFORE LEAVING OPERATOR'S POSITION TO ADJUST, LUBRICATE, CLEAN OR UNLOAD MACHINES, UNLESS OTHERWISE SPECIFICALLY RECOMMENDED IN THE "OPERATOR'S MANUAL".

NEVER START THE MACHINE UNTIL ALL GUARDS AND SAFETY SHIELDS ARE SECURED IN PLACE. KEEP OFF EQUIPMENT UNLESS SEAT OR PLATFORM FOR OPERATION AND OBSERVATION IS PROVIDED. KEEP ALL OTHERS OFF.

PTO SHIELD MUST ROTATE FREELY AND BE IN PLACE.

ALWAYS RUN PTO STRAIGHT IN LINE TO AVOID AN ACCIDENT BY BREAKAGE.

YOU MUST OBSERVE ALL APPLICABLE TRAFFIC LAWS WHEN TRANSPORTING ON PUBLIC ROADWAYS (WHERE LEGAL TO DO SO). CHECK LOCAL LAWS FOR ALL HIGHWAY LIGHTING AND MARKING REQUIREMENTS AND COMPLY WITH THESE LAWS.

MAKE CERTAIN EVERYONE IS CLEAR OF MACHINE BEFORE STARTING ENGINE OR OPERATION.

PLEASE KEEP ALL DECALS AND SLOW MOVING VEHICLE SIGN CLEAN SO THEY ARE LEGIBLE.

If any decal becomes damaged or lost, call your dealer or our plant for replacement.

Always use GENUINE MEYER replacement parts.

46-0001-22

READ ALL DECALS ON THE SPREADER AND IN THIS MANUAL. KEEP THESE DECALS CLEAN AND REPLACE ANY LOST OR DESTROYED DECALS. BECOME FAMILIAR WITH ALL TRACTOR AND SPREADER CONTROLS.



SAFETY FIRST



The Meyer Super Spreader is manufactured with operator safety in mind. Located on the manure spreader are various decals to aid in operation and warn of danger or caution areas. Pay close attention to all decals on the spreader.

⚠ DO NOT REMOVE ANY DECALS. IF DECALS ARE LOST, DAMAGED OR IF MANURE SPREADER IS REPAINTED, REPLACE DECALS. REMEMBER: DECALS ARE FOR YOUR PROTECTION AND INFORMATION.



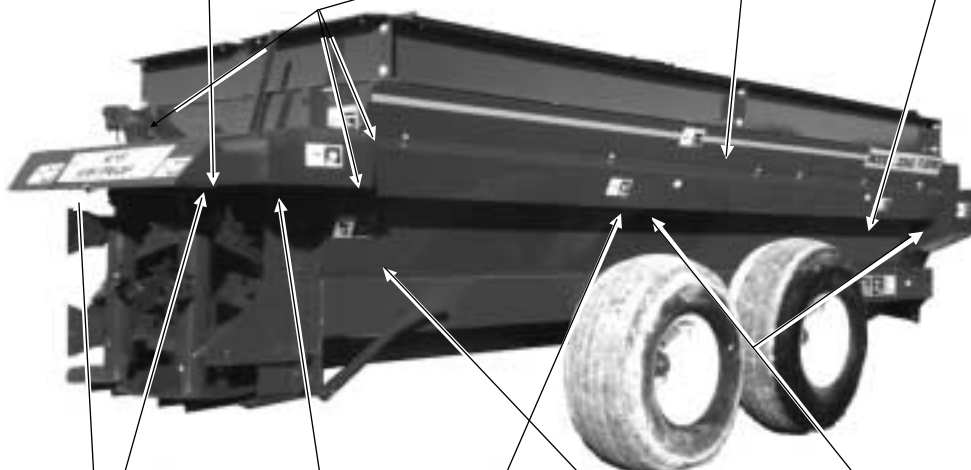
46-3600-9



46-0001-5



46-0001-26 (LOCATED INSIDE SHIELD)



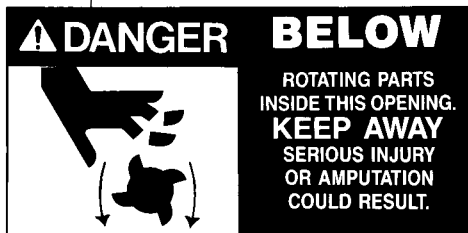
46-0001-4



46-0001-26 (LOCATED INSIDE SHIELD)



46-3600-9



46-3600-1



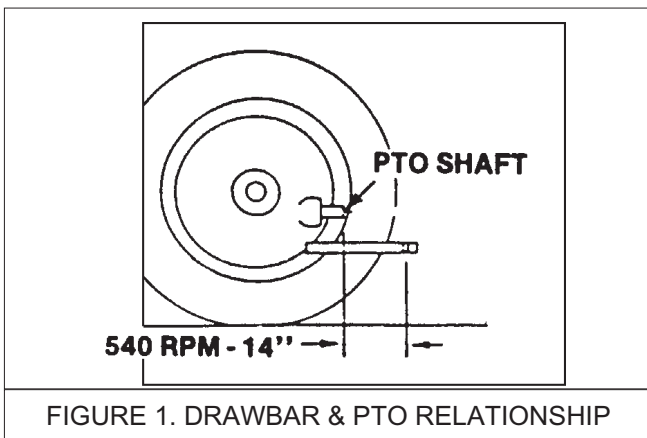
46-3600-8

READ ALL DECALS ON THE SPREADER AND IN THIS MANUAL. KEEP THESE DECALS CLEAN AND REPLACE ANY LOST OR DESTROYED DECALS. BECOME FAMILIAR WITH ALL TRACTOR AND SPREADER CONTROLS.

PRE-OPERATION

! WARNING: BEFORE OPERATING, READ THIS OWNERS MANUAL COMPLETELY. PAY PARTICULAR ATTENTION TO THE “SAFETY PRECAUTION” AND “SAFETY FIRST” PAGES. READ ALL SAFETY MESSAGES HIGHLIGHTED BY “SAFETY ALERT SYMBOLS” THROUGHOUT THE MANUAL.

This spreader is to be operated with 540 RPM PTO only, unless the spreader is 1000 RPM equipped. The hitch of the spreader is designed for a standard tractor drawbar. Adjust the drawbar at 13 to 17 inches above the ground. Extend or shorten the drawbar so horizontal distance from end of tractor PTO shaft to center of the hitch pin hole is 14 inches. Secure the drawbar so that the hitch pin hole is located directly below the PTO drive line. See figure 1 for location of standard measurements.



An improperly located hitch point may cause damage to the universal joints of the PTO drive shaft. Conforming to the standard 14" drawbar & PTO relationship will ensure that the PTO drive shaft will not become over-extended.

! DANGER: DO NOT OPERATE WITHOUT PTO GUARD ON SPREADER AND ON TRACTOR. MAINTAIN PTO DRIVE SHAFT GUARD TUBES IN OPERATING CONDITION. REPLACE THEM IF DAMAGED AND NOT TURNING FREELY. FAILURE TO HEED MAY RESULT IN SERIOUS PERSONAL INJURY OR DEATH.

! WARNING: INSPECT REGULARLY THAT ALL CONNECTIONS AND BOLTS ARE TIGHT AND SECURE BEFORE OPERATING. FAILURE TO HEED MAY RESULT IN SERIOUS PERSONAL INJURY OR DEATH.

Check for proper assembly and adjustment and make sure that all bolts are tightened. Securely retighten after a few hours of operation, as bolts can loosen up on new machinery. Check wheel lug nuts upon delivery and periodically thereafter. Lug nuts should be tightened at 85-95 ft./lbs. of torque. Check the tires and in-

flate to the recommended pressure (14Lx16.1 tires to 40-50 psi, 16.5Lx16.1 tires to 35-40 psi).

Inspect all adjustments on the spreader to be sure they are proper and to provide maximum performance. Lubricate the spreader completely if it is required and check the level of oil in all three gearboxes.

! WARNING: DO NOT OPERATE WITHOUT ALL SHIELDS, GUARDS AND COVERS INSTALLED. FAILURE TO HEED MAY RESULT IN SERIOUS PERSONAL INJURY OR DEATH.

Fasten the spreader hitch to the tractor drawbar with a hitch pin that cannot bounce out. Use 1" diameter hitch pin to pull spreader.

Remove the weight from the jack (jack is not to be used when spreader is loaded). Pivot jack 90° on pipe mount bracket and lock in the raised storage mount position.

Before operation and after hitching the tractor to the spreader, connect the PTO drive shaft to the tractor. Slide spring loaded locking collar on PTO yoke rearward, and slide yoke onto the tractor PTO shaft. Release spring loaded collar. Be sure pins fall into groove of tractor PTO shaft and collar snaps forward into locking position.

! CAUTION: DO NOT USE A STEEL HAMMER TO AID IN JOINING PTO PARTS.

Route hydraulic hoses through the hose support rod which is mounted to the hitch frame, figure 2. Connect the hydraulic hoses for the flow control rear gate to the tractor's double acting valve hydraulic system. Move the tractor hydraulic controls to observe proper flow gate operation. If the controls operate the gate in opposite directions to what you expect, reverse the hydraulic hose connections at the tractor.

! WARNING: HYDRAULIC FLUID ESCAPING UNDER PRESSURE CAN HAVE SUFFICIENT FORCE TO PENETRATE SKIN. KEEP ALL HOSES AND CONNECTIONS IN GOOD SERVICEABLE CONDITION. FAILURE TO HEED MAY RESULT IN SERIOUS PERSONAL INJURY OR DEATH.

Before loading spreader, slowly engage the tractor PTO and operate machine at idle speed for several minutes to insure the spreader is lubricated and operating properly.

TRANSPORTING

Manually latch/close the trip pan doors, figure 3.

Check that the flow control rear gate is completely closed. It is unlawful to allow slurry to splash or leak onto public roads.

⚠ WARNING: DO NOT TOW AT SPEEDS GREATER THAN 20 MPH. FAILURE TO HEED MAY RESULT IN SERIOUS PERSONAL INJURY OR DEATH.

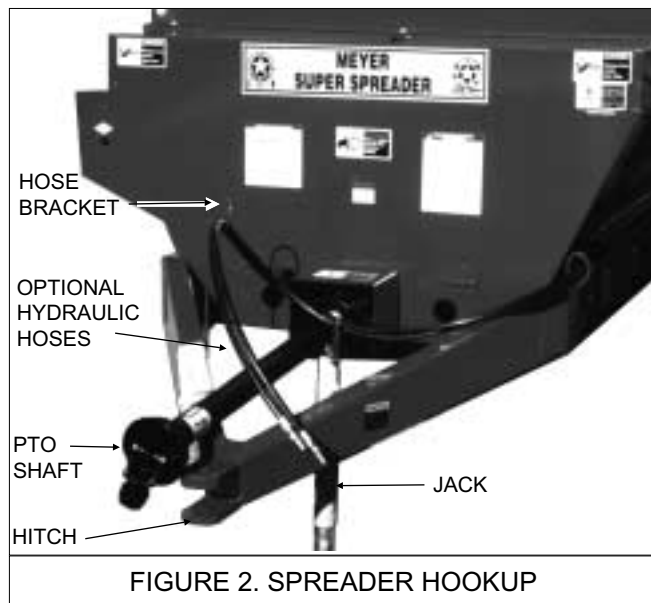
Operating speed is dictated by the terrain over which you are traveling. Always use caution. Avoid traveling on slopes or hills that are unsafe.

⚠ WARNING: OBSERVE ALL APPLICABLE TRAFFIC LAWS WHEN TRANSPORTING ON PUBLIC ROADWAYS. CHECK LOCAL LAWS FOR ALL HIGHWAY LIGHTING AND MARKING REQUIREMENTS.

⚠ WARNING: INSTALL A SMV EMBLEM ON REAR OF SPREADER FOR TRANSPORTING ON ROADWAYS AND KEEP THIS EMBLEM CLEAN AND BRIGHT. FAILURE TO HEED MAY RESULT IN SERIOUS PERSONAL INJURY OR DEATH.

If you will travel on public roads and it is legal to do so, you must know all rules governing such operation. This will include lighting and brake requirements in addition to traffic rules. You may also be required to install a safety chain device on the spreader.

Check for traffic constantly. Be sure you can see that no one is attempting to pass you and that all traffic is sufficiently clear from you before making any turns.



FREEZING WEATHER OPERATION

Allow spreader to completely empty last of manure contents and disengage tractor PTO. Shut off tractor, remove the ignition key and allow all movement to stop before attempting to clean the spreader.

⚠ WARNING: DO NOT CLEAN, ADJUST OR LUBRICATE WHILE SPREADER IS IN MOTION. FAILURE TO HEED MAY RESULT IN SERIOUS PERSONAL INJURY OR DEATH.

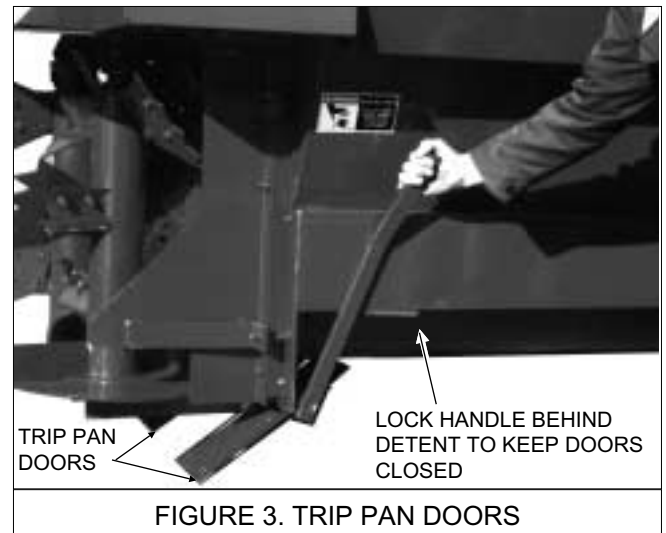
Manually open the trip pan doors at rear of spreader, figure 3, and scrape clean any remaining manure from inside the rear of spreader. Clean all manure from rear trip pan doors, ends of augers, flow control rear gate and spinners. Manually close the trip pan doors.

Slowly engage the PTO. Operate the spreader several minutes to clean manure scrapings and to allow any remaining manure and the spreader to freeze dry. Hydraulically run the flow control rear gate up and down to clean gate slide guides. Park spreader with flow control rear gate approximately halfway open.

⚠ WARNING: MAKE CERTAIN EVERYONE IS CLEAR OF THE SPREADER BEFORE APPLYING POWER. FAILURE TO HEED MAY RESULT IN SERIOUS PERSONAL INJURY OR DEATH.


Before loading in freezing weather, manually open and close the trip pan doors at rear of spreader, make sure augers and spinners are free to rotate, and the flow control rear gate moves freely up and down.


⚠ DANGER: KEEP AWAY AND KEEP OTHERS CLEAR OF ROTATING SPINNERS AT REAR OF SPREADER. SERIOUS INJURY OR AMPUTATION COULD RESULT.




OPERATION

LOADING

 **CAUTION:** TO PREVENT DAMAGE TO AUGERS, SPINNERS, AND DRIVE LINES, FOREIGN OBJECTS (STONES, CONCRETE, TIMBER, METAL OR LARGE FROZEN CHUNKS OF MANURE) SHOULD NEVER BE LOADED INTO THE SPREADER.

 **DANGER:** NEVER ENTER THE SPREADER BOX FOR ANY REASON WITHOUT FIRST DISCONNECTING PTO SHAFT FROM TRACTOR. DO NOT ALLOW OTHERS IN THE BOX. ROTATING AUGERS CAN CRUSH AND DISMEMBER. FAILURE TO HEED MAY RESULT IN SERIOUS PERSONAL INJURY OR DEATH.

 **CAUTION:** DO NOT USE JACK EXCEPT WHEN SPREADER IS EMPTY. JACK WILL NOT SUPPORT ADDED WEIGHT. UNBALANCED WEIGHT MAY RESULT IN UNEXPECTED “TIP UP” OF SPREADER.

Before loading, especially in freezing weather, make sure the augers and spinners are free to rotate and the flow control rear gate moves freely up and down.

Manually latch close the trip pan doors at rear of spreader.


Check and be sure that the flow control rear gate is completely closed before loading.


When the spreader is parked for loading, shift the tractor to neutral or park and set the brakes. The moisture content of the manure will determine how full the spreader can be loaded so that no manure spills out.

You will probably be able to load solid manure at least level with the top of the box while semi-liquid and liquid manure will have to be less than full in the spreader box. It is unlawful to allow manure to splash or leak onto public roads.

A liquid manure kit is available for installation around the top of the box on your spreader which will aid in the containment of liquids.

UNLOADING

 **WARNING:** MAKE CERTAIN EVERYONE IS CLEAR OF SPREADER BEFORE APPLYING POWER. FAILURE TO HEED MAY RESULT IN SERIOUS PERSONAL INJURY OR DEATH.

 **DANGER:** KEEP AWAY AND KEEP OTHERS CLEAR OF ROTATING SPINNERS AT REAR OF SPREADER. SERIOUS INJURY OR AMPUTATION COULD RESULT. FAILURE TO HEED MAY RESULT IN SERIOUS PERSONAL INJURY OR DEATH.

When you are ready to begin spreading application on the field, open the hydraulic flow control rear gate and slowly engage the tractor PTO clutch. This can be done while traveling forward to avoid a heavier application of liquid manure at the edge of the field than desired.

For liquid and semi-liquid manure, the application rate can be controlled by the amount the flow control rear gate is opened. The height of the gate indicator bar above the rear edge of the box will provide a ready reference for the amount of opening. For solid manure (dry, pen-packed or manure containing long straw or hay) the flow control rear gate MUST be completely open since this material is not free flowing.

The rear spinners have been designed and tested to provide the best spread pattern for most liquids and semi solid manure. However, the pattern will vary for each specific condition. The factors that contribute most to differing patterns will be moisture content and the amount and length of bedding material. For most typical conditions, the spread pattern should be uniform and about 15 ft. wide. When this is the case, plan your spreading patterns so you do not have to travel over previously spread manure which will be slippery, resulting in poor traction. Traction on wet grass is also poor. When the resulting pattern may require that you overlap during spreading, use precautions on slopes and hills where you could experience a loss of traction by traveling over ground with previously spread manure.

NOTE: Further control of the application rate is possi-

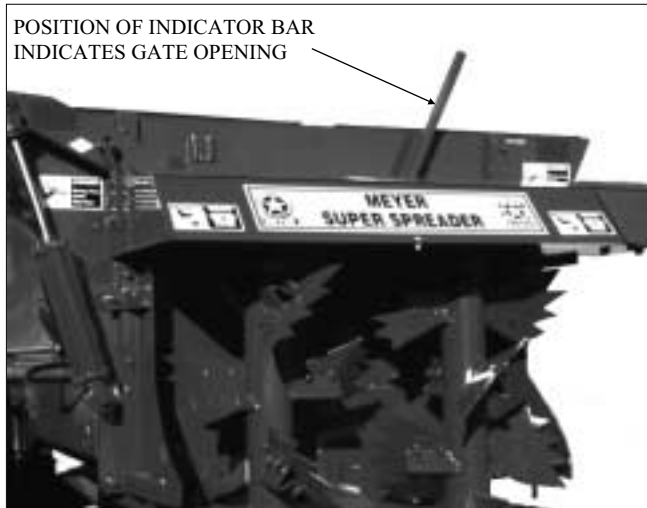


FIGURE 4. FLOW CONTROL REAR GATE

ble by the relationship of tractor engine speed to ground speed (transmission gear selection). For optimum, trouble-free performance it is recommended to operate at or near engine PTO speed.

⚠ WARNING: NEVER OPERATE PTO ABOVE ITS NORMAL 540 RPM RATING. NEVER CONNECT SPREADER PTO SHAFT TO A 1000 RPM TRACTOR PTO, UNLESS THE SPREADER IS EQUIPPED WITH A 1000 RPM OPTIONAL KIT. FAILURE TO HEED MAY RESULT IN SPREADER DAMAGE OR SERIOUS PERSONAL INJURY.

When the spreader is empty, idle the tractor and stop the PTO. Close the flow control rear gate.

NOTE: Failure to idle the tractor before disengaging the PTO will cause roller chain over-running and damage to the chain tighteners.

NOTE: Maximum life of the PTO shaft universal joints will result if you stop the PTO while making turns at the end of the field.

STORAGE AFTER USE

⚠ WARNING: DISCONNECT PTO DRIVE SHAFT AND HYDRAULIC HOSES BEFORE CLEANING, ADJUSTING, OR SERVICING THIS MACHINE. FAILURE TO HEED MAY RESULT IN SERIOUS PERSONAL INJURY OR DEATH.

Before storing this spreader for an extended period of time perform the following:

Allow the spreader to completely clean out the last load. Thoroughly hose off all manure from the outside of the spreader and the inside of the box, particularly getting the flow control rear gate mechanism clean. The wash water can be drained into your manure storage pit, or if the gate is left closed, the water can be spread on the field. After cleaning, lubricate the spreader to exclude moisture from bearings and prevent condensation from forming during storage.

Apply oil to roller chain drives. It is also a good time to inspect all adjustments and check for parts that need repair or replacement. Performing these tasks now will guarantee that the spreader is ready for use at the beginning of the next season.

ADJUSTMENTS

⚠ WARNING: DISCONNECT PTO DRIVE SHAFT AND HYDRAULIC HOSES (RELIEVE HYDRAULIC PRESSURE) BEFORE CLEANING, ADJUSTING, LUBRICATING OR SERVICING THIS SPREADER. FAILURE TO HEED MAY RESULT IN SERIOUS PERSONAL INJURY OR DEATH.

PTO FRICTION CLUTCH ADJUSTMENT

“Run In” of the Multi disc clutch is necessary for all new clutches and any clutch which has not been used for approximately 30 days.

Proceed as follows:

1. Before first use or after storage of more than one month all spring adjusting capscrews should be backed off until springs are just loose, then tightened one turn.
2. The clutch should then be slipped until it starts to smoke. Then stop the spreader and allow the clutch to cool.

⚠ WARNING: STAY SEATED ON THE TRACTOR AND ALLOW NO ONE NEAR THE SPREADER WHILE PERFORMING THIS OPERATION. FAILURE TO HEED MAY RESULT IN SERIOUS PERSONAL INJURY OR DEATH.

This procedure is to “run in” the clutch. If this is not performed, the setting of the clutch will increase by 15% after it slips enough from normal use and will alter your setting.

3. After “run in,” set the clutch using the spring setting table, figure 5, as an approximate guide. Tighten all springs to the exact same length. Approximate horsepower listing is for a clutch that has been “run in” and for 540 RPM.

NOTE: Clutch is accessible by flipping up PTO shield, figure 7.

⚠ CAUTION: IF ANY ATTEMPT IS MADE TO TIGHTEN THE CLUTCH SPRINGS MORE THAN THE 2" MINIMUM SETTING, THE BOLT MAY BREAK AND THE SPRING WILL MAKE THE FASTENER FLY OFF WITH FORCE.

The 50 H.P. setting should always be adequate for liquid manures while the maximum 90 H.P. setting should only be required for the most difficult solid manures. NEVER exceed the 90 H.P. setting because the clutch will “lock up” beyond this point. Also know that when you use the lowest setting required to unload your material, the more protection you have from a foreign object being in the manure by accident.

4. If the clutch smokes during operation or if you observe very regular slippage, the springs require more tightening. If regular slippage is allowed to continue, the clutch will wear out.

4 DISC, 9 SPRINGS		
SPRING SETTING	APPROX H.P.	MANURE TYPE
2-1/8"	50 H.P.	Liquid
2-1/16"	65 H.P.	Semi-Liquid
2-1/32"	75 H.P.	Semi-Solid
2"	90 H.P.	Solid

FIGURE 5. SPRING LENGTH TABLE

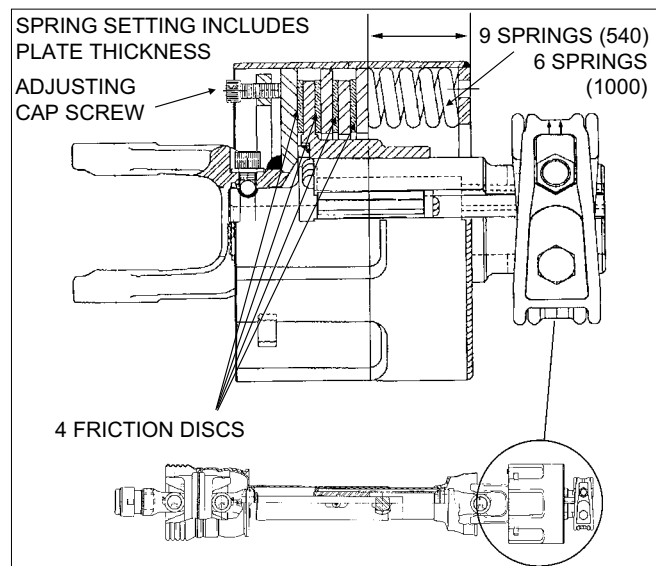


FIGURE 6. ADJUST PTO FRICTION CLUTCH



FIGURE 7. PTO SHIELD FLIPPED UP

“RUN IN” OF THE MULTIDISC CLUTCH

Necessary for all new clutches and any clutch which has not been used for approximately 30 days.

TOOLS REQUIRED: 1/4" Hex Allen Wrench or hex extension for ratchet and Scale or Vernier.

1. Make sure the tractor is off and the PTO is disengaged.

2. Disconnect the driveline from the tractor.

3. Use the scale or vernier to measure the lengths of the springs through all three of the 3/8" access holes. Include the thickness of the plate in the measurements. **Warning!** Be as accurate as possible. A dimension of 1/64" from the original dimension to the new dimension can cause a difference of up to 15% in torque. Record these dimensions so that the clutch can be reset to these same settings. If the desired torque rating is known, use the table for the correct setting.

4. Locate the six capscrews on the clutch. Reduce the load on the screws evenly to avoid damage to the clutch. Loosen the six screws 1/2 turn per screw at a time until all screws are loose.

5. Attach the implement to the tractor and the driveline to the tractor PTO.

6. Turn the tractor on. Engage the PTO clutch and run for a few minutes, or until the clutch visibly smokes, at which time, disengage the PTO.

7. Disengage the tractor PTO and shut off the tractor.

8. Disconnect the driveline from the tractor.

9. Tighten the six capscrews 1/2 turn per screw at a time until the desired measurement is reached in all three 3/8" access holes. **Warning!** Be as accurate as possible. A dimension of 1/64" from the original dimension to the new dimension can cause a difference of up to 15% in torque.

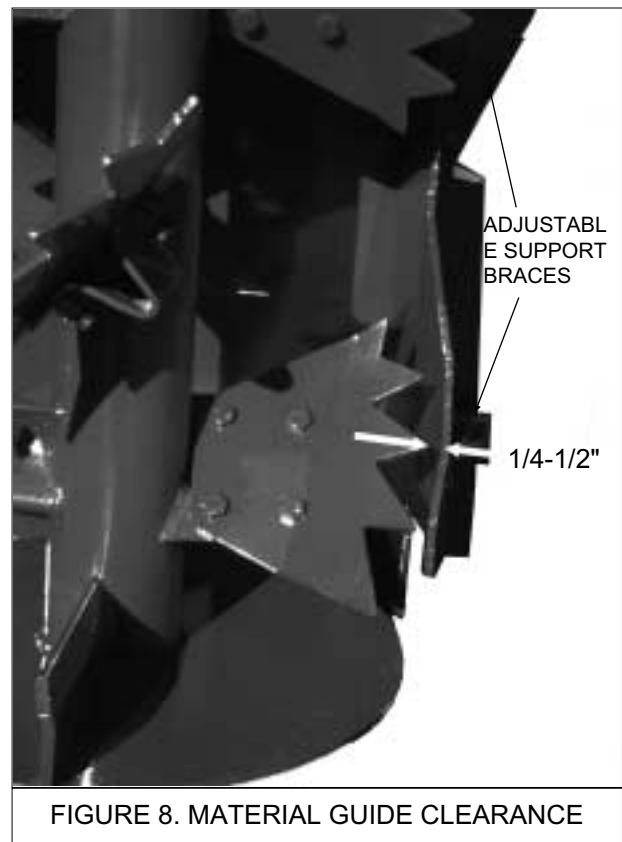
10. **IMPORTANT!** Re-grease (1) integral overrunning clutch assembly at rear of the PTO driveline. See Lubrication Section.

SPINNER MATERIAL GUIDES

Regularly inspect and adjust two spinner material guides located at both the LR and RR of the spreader. Create a 1/4-1/2" clearance between material guides and spinner teeth, figure 8. Maintain the recommended clearance for maximum spreading pattern. Adjust to prevent excessive manure build-up on material guide inner surfaces. Adjust to prevent manure chunk or foreign object lodging between material guides and spinner teeth.

NOTE: Excessive lodging can cause premature spinner tooth wear, “bend-over” or even breakage.

Adjustment for the 1/4-1/2" clearance of each material guide to spinner teeth is made by pulling (2) support braces forward for more clearance or pushing (2) support braces backwards for less clearance. Movement occurs by turning opposite facing jam nuts located on each support brace. Once recommended clearance is obtained, re-lock the jam nuts tight against the support braces. Re-check clearance.



ADJUSTMENTS

WARNING: DISCONNECT PTO DRIVE SHAFT AND HYDRAULIC HOSES (RELIEVE HYDRAULIC PRESSURE) BEFORE CLEANING, ADJUSTING, LUBRICATING OR SERVICING THIS SPREADER. FAILURE TO HEED MAY RESULT IN SERIOUS PERSONAL INJURY OR DEATH.

FRONT DRIVE ROLLER CHAINS

There are five roller chain drives located at the front of the spreader. Regularly check that all tensioning springs are in serviceable condition for automatic roller chain tightening. Manually adjust spring tensioners (as needed) by turning double locknuts on all tensioning bolt/idler assemblies. Proper roller chain tension is when 1/4" to 1/2" deflection occurs on the slack side of the chain. Regularly re-check all roller chain tensions. Keep all roller chains tight at all times! For clarity purposes, the following illustrations detail each roller chain reduction separately.

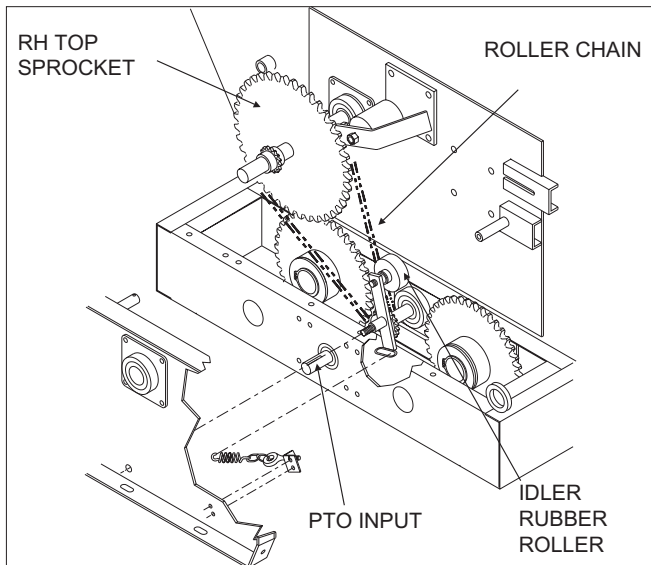


FIGURE 9. PRIMARY CHAIN DRIVE

SPRING LOADED ADJUSTER

The primary chain drive (PTO input shaft to the large RH top sprocket, figure 9) is automatically tensioned by a spring loaded idler rubber roller. The extension spring should extend 3/4" from its neutral 4" total length.

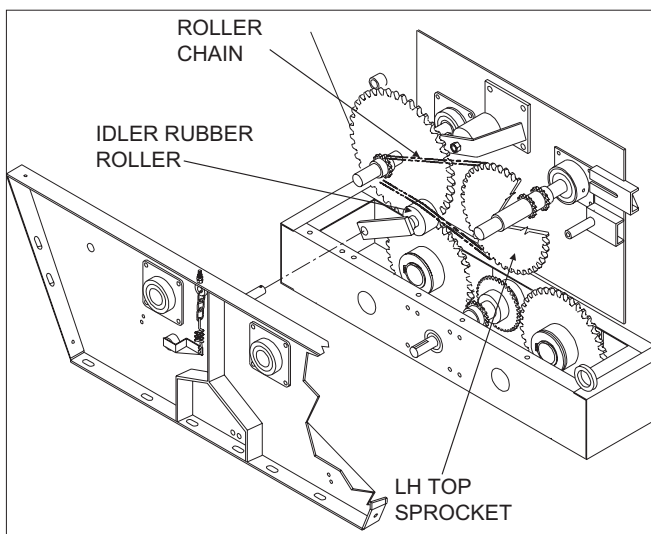
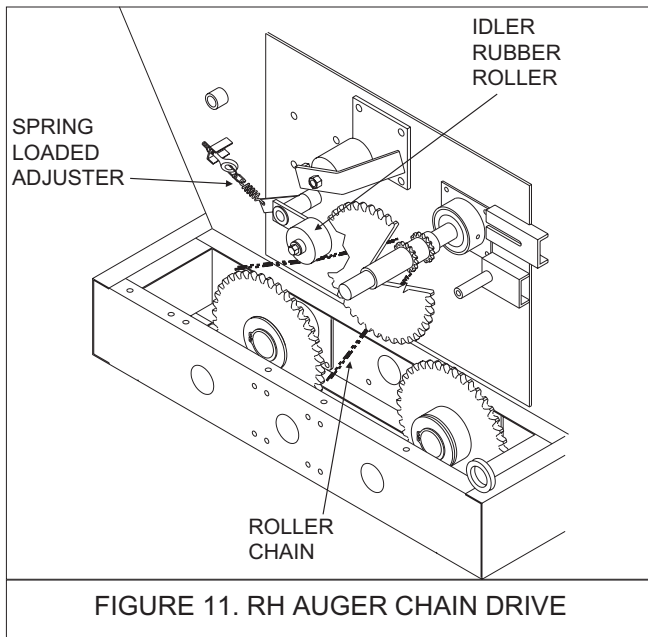


FIGURE 10. TRANSFER CHAIN DRIVE

SPRING LOADED ADJUSTER

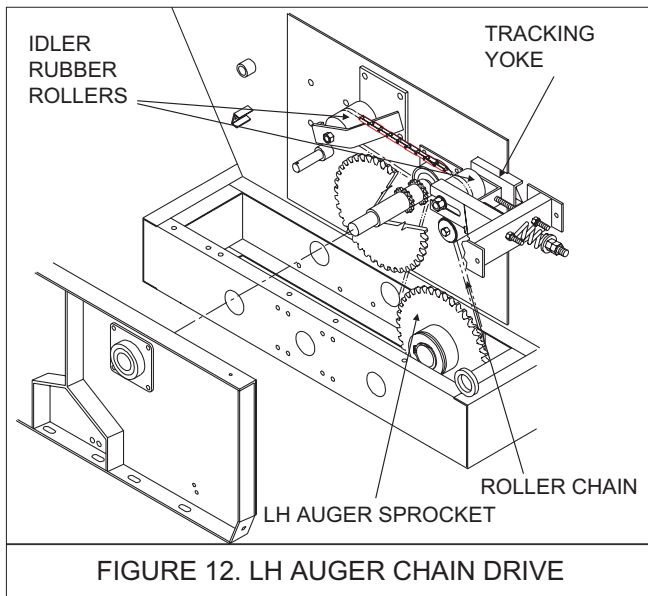
The transfer chain drive (large RH top sprocket to the large LH top sprocket, figure 10) is automatically tensioned by a spring loaded idler rubber roller. The extension spring should extend 3/4" from its neutral 4" total length.



RH AUGER SPROCKET

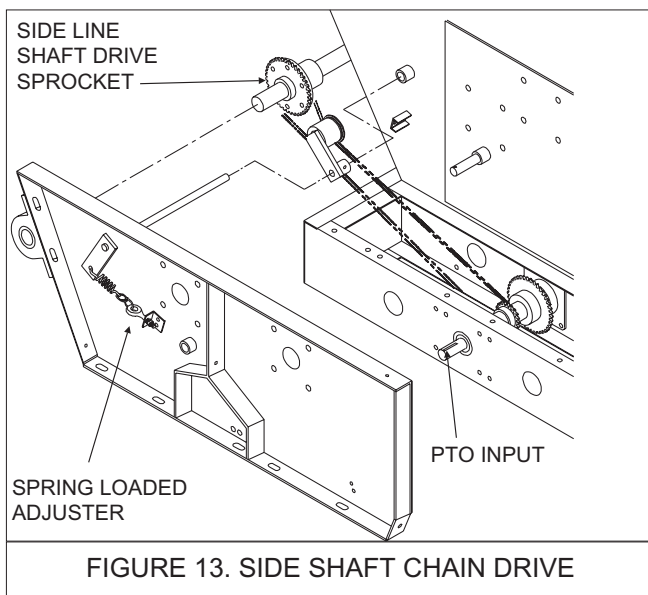
The RH auger chain drive, figure 11, is automatically tensioned by a spring loaded idler rubber roller. The extension spring should extend $\frac{3}{4}$ " from its neutral 4" total length.

NOTE: The side bars of the roller chains will wear into the idler rubber rollers up to the rollers of the roller chain forming grooves. These grooves will serve as a guide when the roller chain loosens due to normal use. From this point on, after tightening, the idler rubber rollers should run for hundreds of hours without any noticeable wear.



COMPRESSION SPRING

The LH auger chain drive is automatically tensioned by a spring loaded heavy compression spring and tracking yoke/idler, rubber roller assembly, figure 12. The one heavy compression spring should be compressed to $3\frac{1}{2}$ " to 4" in length.



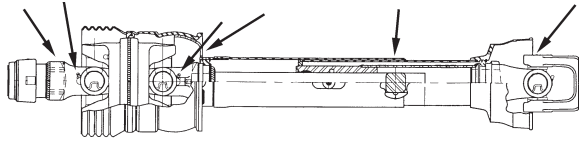
IDLER NYLON ROLLER

The side shaft chain drive (PTO input shaft to the side line shaft drive sprocket, figure 13) is automatically tensioned by a spring loaded idler nylon roller. The extension spring should extend $\frac{3}{4}$ " from its neutral 4" total length.

WARNING: DISCONNECT PTO DRIVE SHAFT AND HYDRAULIC HOSES (RELIEVE HYDRAULIC PRESSURE) BEFORE CLEANING, ADJUSTING, LUBRICATING OR SERVICING THIS MACHINE. FAILURE TO HEED MAY RESULT IN SERIOUS PERSONAL INJURY OR DEATH.

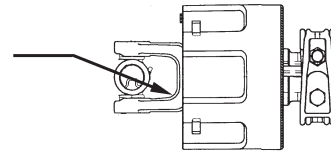
DAILY LUBRICATION (every 8-12 loads)

- (L1) Grease (2) rear spinner lower bearings. These bearings are grease line fitted to the LR frame channel of the spreader.
- (L2) Oil (5) roller chain drives regularly at the front of spreader with light weight machine oil. The roller chains are accessible by opening the front steel shielding cover.
- (L3) Grease PTO Driveline (6) places with Moly grease every 8 hours.



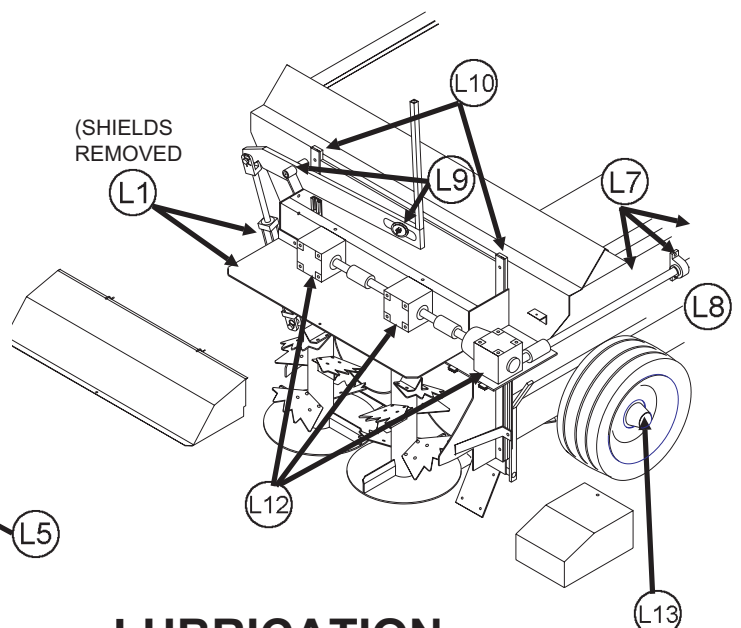
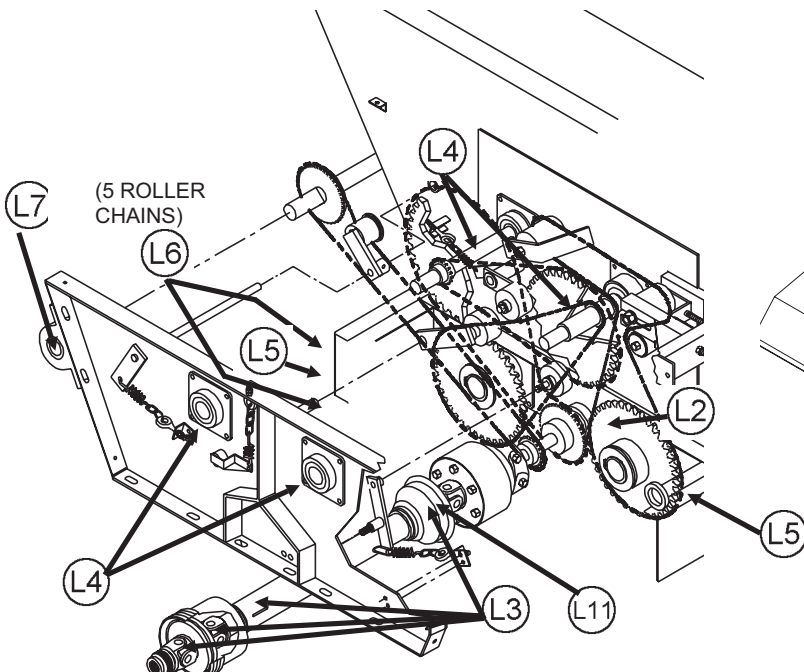
- (L4) Grease (4) bearings supporting the two large jackshaft reduction sprocket weldments on the front drive. The zerks are accessible by opening the front steel shielding cover.
- (L5) Grease (2) auger shaft bearings. These bearings are grease line fitted to the LF and RF frame channels of the spreader.
- (L12) Check regularly for any observable oil leakage of the (3) gearboxes at the rear of the spreader. See L12 under *Seasonal Lubrication*

- (L6) Grease (2) PTO input shaft bearings. These bearings are grease line fitted to the RF frame channel of the spreader.
- (L7) Grease (3) bearings on the RH side line shaft. The front bearing is zerk accessible through the RF steel shielding. The remaining rear bearings are located along the RH side of the spreader tank, zerks accessible through the steel shielding.
- (L8) Grease (4) tandem wing pivots. Effectively grease by jacking up the spreader to relieve pressure points on the pivot shaft and tandem wing collar.
- (L9) Grease (2) flow control rear gate and lifting arm pivot points. Grease gate pivot at center of flow control rear gate. Grease lifting arm pivot support at LR of spreader.
- (L10) Grease (2) flow control rear gate slide guides. With the flow control rear gate opened, grease the slide guides from top side. Allow grease to lubricate flow control rear gate ends and slide guide surfaces.
- (L11) Grease (1) integral overrunning clutch at rear of the PTO driveline. The zerk is on the yoke of the friction slip clutch. Use Shell Super Duty or an equivalent lithium grease. Over greasing is not possible.



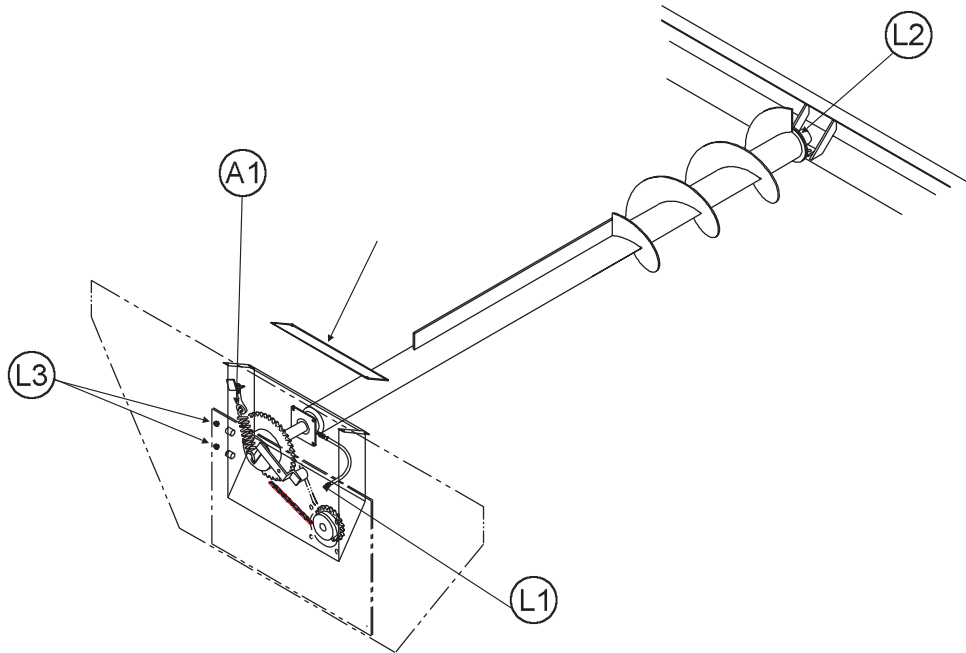
MONTHLY LUBRICATION

- (L12) Maintain oil level in the (3) gearboxes at the centerline of the input shafts. Check regularly for any observable oil leakage. If oil leakage is excessive, replace required input/output shaft oil seals. Use ONLY EP #80-90 wt. gear lube oil or an equivalent. Lighter weight gear lube oil may be used in temperatures lower than 20°F. Change oil in the gearboxes after the first season of use and regularly thereafter.
- (L13) Clean and repack the wheel hubs with axle grease annually.



LUBRICATION

LUBRICATION & ADJUSTMENT FOR OPTIONAL 3RD AUGER



⚠ WARNING:: DISCONNECT PTO DRIVE SHAFT AND HYDRAULIC HOSES (RELIEVE HYDRAULIC PRESSURE) BEFORE CLEANING, ADJUSTING, LUBRICATING OR SERVICING THIS MACHINE. FAILURE TO HEED MAY RESULT IN SERIOUS PERSONAL INJURY OR DEATH.

WEEKLY LUBRICATION (every 25-30 loads)

(L1) Grease (1) bearing supporting the front shaft of the 3rd auger assembly. This bearing is grease line fitted to the spreader front, bearing back plate. The zerk is accessible by opening the front steel shielding cover.

(L2) Grease (1) brass bushing supporting the rear shaft of the 3rd auger assembly. This zerk is located inside the rear spreader tank above the 3rd auger mounting bracket assembly.

SEASONAL LUBRICATION

(L3) Maintain oil level in the (1) oil bath enclosure at the top, check plug line level. Check regularly for any observable leakage. If oil leakage is excessive, repair with silicone. Use #80-90 wt. gear lube oil or an equivalent. Lighter weight gear lube oil may be used in temperatures less than 20°F. Change oil in the oil bath enclosure after the first season of use and regularly thereafter. (2.5 gallon capacity)

Remove lower plug for draining purposes.

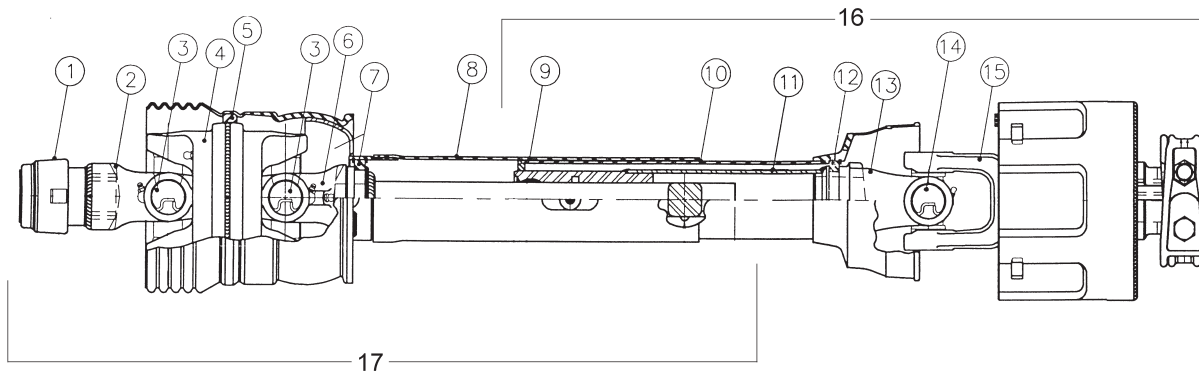
(A1) Remove reservoir cover or level plug for filling purpose. (SEAL COVER TIGHT WITH SILICONE WHEN RE-INSTALLING.)

ADJUSTMENTS

(A1) The 3rd auger drive roller chain (large LH top reduction sprocket weldment to the 3rd auger) enclosed in the oil bath is automatically tensioned by a spring loaded idler/slide pipe. The tensioning, extension spring should extend $\frac{3}{4}$ " from its neutral 4" total length.

Manual adjustment for the automatic tensioning idler assembly is located at the RF, top of the oil bath enclosure just under the cover.

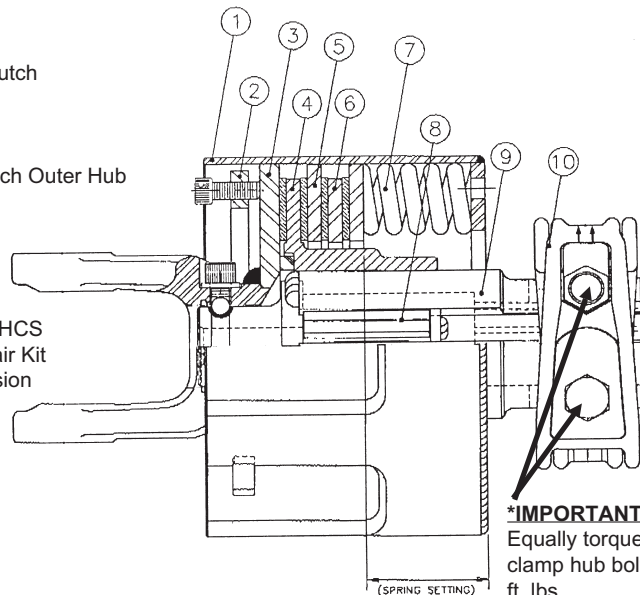
918-0004 PTO DRIVE SHAFT ASSEMBLY



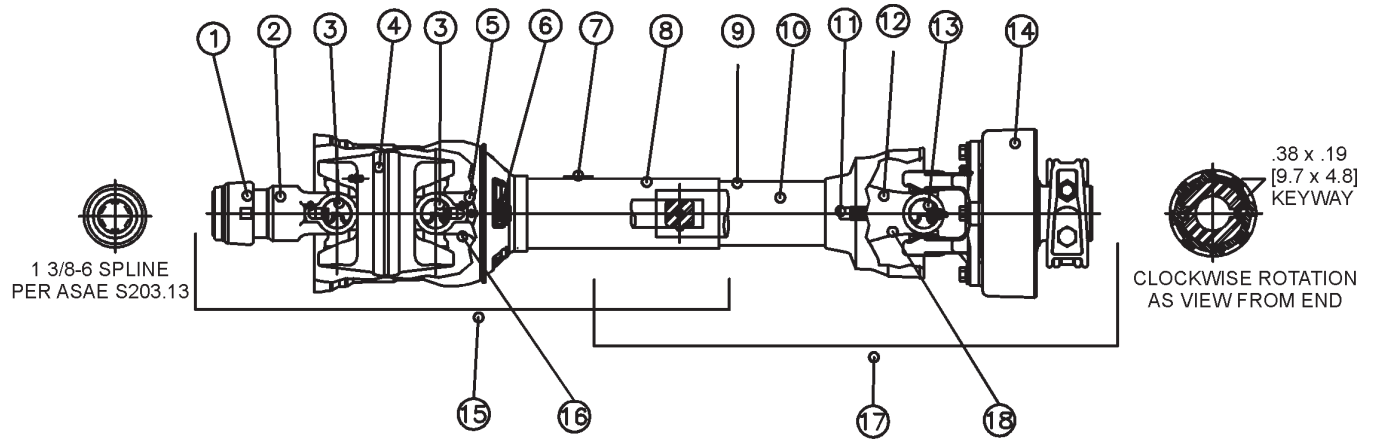
35R (CAT 4 80° C.V., 540 RPM)

KEY	MEYER PART NO.	OEM PART NO.	DESCRIPTION
	918-0004	244-17880ASBL	Assembly Complete
1	918-0001-11	26-10015	Slide Lock Yoke, Lock Repair Kit
1A	918-0001-12	24-10013	Slide Lock Yoke, Lock Retaining Ring
1B	918-0001-13	23-10012	Slide Lock Yoke, Lock Spring
1C	918-0001-14	06-10011	Slide Lock Yoke, Lock Collar
1D	918-0001-15	33-10014	Slide Lock Yoke, Lock Pawl
2	918-0004-10	35181-1895	Slide Lock Yoke (540 RPM)
3	918-0004-7	03-14519	CAT 4 Cross & Bearing Kit
4	918-0004-30	26-10190	Center Housing
5	918-0004-31	36-13435	Bell Extension w/Nylon Centralizer
6	918-0004-4	99-17880	Yoke & Shaft
7	918-0004-8	19-11104	Nylon Repair Kit
8	918-0001-22	13-10021	Outer Safety Decal (<i>not illustrated</i>)
9	918-0004-6	97-17880	Outer Guard
10	918-0004-5	96-17880	Inner Guard
11	918-0001-23	13-10022	Inner Safety Decal (<i>not illustrated</i>)
12	918-0004-9	19-11105	Nylon Repair Kit
13	918-0004-2	98-17880	Yoke, Tube & Slip Sleeve
14	918-0001-7	03-10045	35R Cross & Bearing Kit
15	918-0004-16	38-10054	Multi-Disc Friction OR-Clutch
16	918-0004-1	92-17880	Joint & Tube Half Asm. w/Guard (Spreader Half)
17	918-0004-3	93-17880	Joint & Shft Asm. w/Guard (Tractor Half, 540 RPM)

KEY	MEYER PART NO.	OEM PART NO.	DESCRIPTION
	918-0004-16	38-10054	Multi-Disc Friction OR-Clutch
1	918-0004-17	26-11585	Housing Assembly
2	918-0004-18	20-12337	Lock Ring
3	918-0004-19	26-13076	Yoke & Plate
4	918-0004-20	06-12346	Overrunning Friction Clutch Outer Hub
5	918-0004-21	20-12341	Plate, Outer Engaged
6	918-0004-22	20-12342	Plate, Inner Engaged
7	918-0004-23	19-44421	Friction Disc Repair Kit
	918-0004-24	11-11167	Disc
	918-0004-25	23-10111	Spring
	918-0004-26	11-13429	Bolt, 5/16-18x.875" LG SHCS
8	918-0004-27	19-44411	Overrunning Clutch Repair Kit
9	918-0004-28	38-30004	Inner Drive Hub & Extension
10	918-0004-29	06-13492	*Clamp Hub



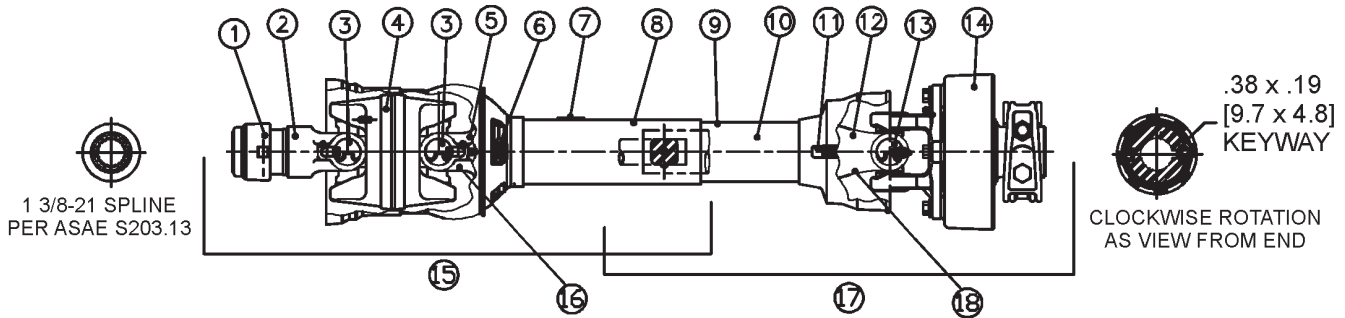
918-0014-AC
Weasler 540 RPM 35R CAT4 80 Degree
CV 540 Auto Clutch



R-Series-918-0014-AC-WeaslerClutch.cdr

KEY	PART #	DESCRIPTION
1	918-0001-11	SSL Auto lock repair kit
2	918-0014-10	Safety slide lock yoke assy.
3	918-0014-7	Cross & bearing kit
4	918-0014-AC-6	Center Housing
5	918-0014-AC-7	Yoke & Shaft
6	918-0004-AC-8	Guard repair kit
7	918-0001-22	Safety sign
8	918-0014-AC-9	Outer Guard
9	918-0004-AC-10	Inner Guard
10	918-0001-23	Safety Sign
11	918-0004-8	Guard repair kit
12	918-0004-AC-11	Yoke, tube & slip sleeve #98-21762
13	918-0001-7	35R Cross & bearing kit
14	918-0004-AC-12	Automatic clutch assy. #38-13004 (18,000)
15	918-0014-AC-2	Tractor half assembly 540 1-3/8-6 spline, #93-21762
16	918-0014-AC-3	Joint & shaft assembly, #95-21762
17	918-0004-AC-4	Implement half assembly, #92-21762
18	918-0004-AC-5	Joint & tube assembly, #94-21762
	918-0014-AC-1	Guard Set

918-0016-AC
Weasler 1000 RPM 35R CAT4 80 Degree
CV 1000 Auto Clutch

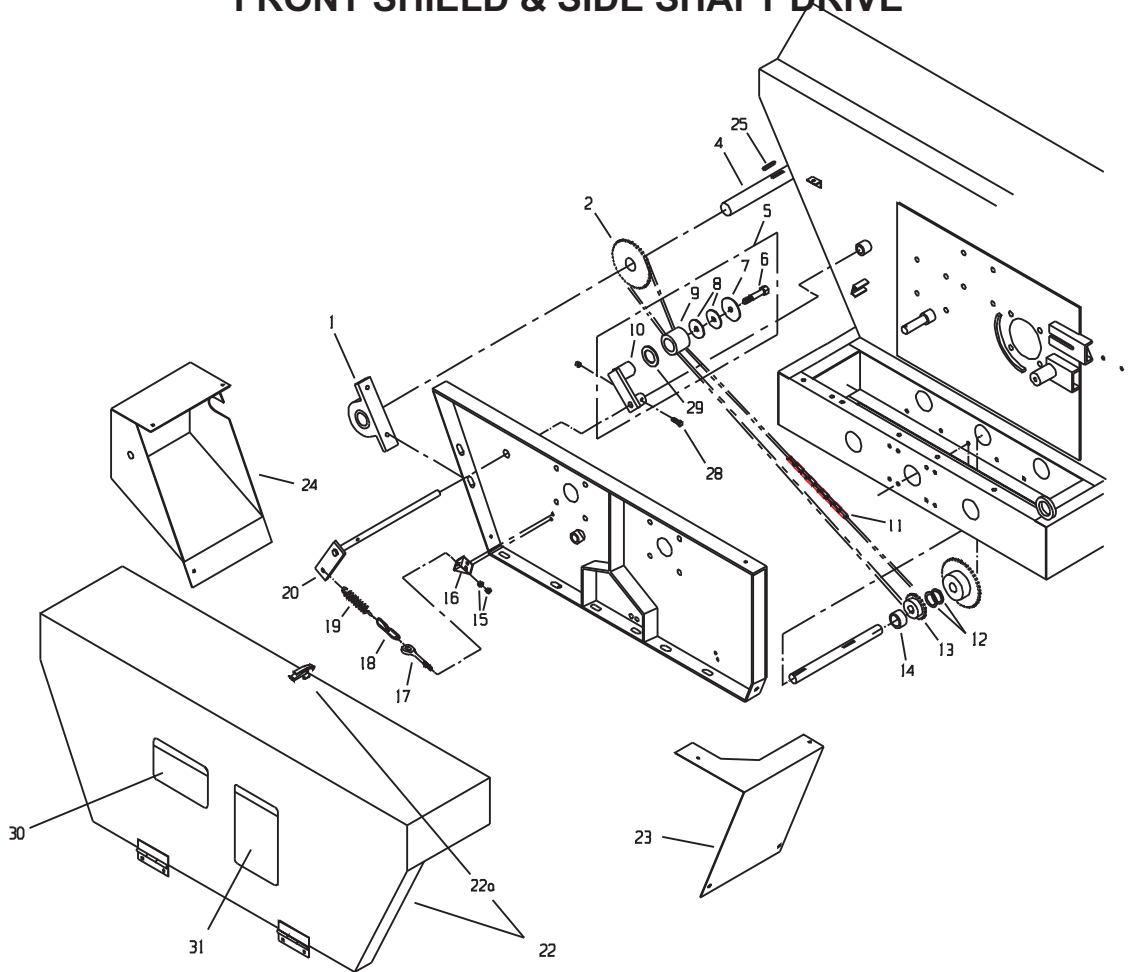


R-Series-918-0016-AC-WeaslerClutch.cdr

KEY	PART #	DESCRIPTION
1	918-0001-11	SSL Auto lock repair kit
2	918-0016-10	Safety slide lock yoke assy.
3	918-0014-7	Cross & bearing kit
4	918-0014-AC-6	Center Housing
5	918-0014-AC-7	Yoke & Shaft
6	918-0004-AC-8	Guard repair kit
7	918-0001-22	Safety sign
8	918-0014-AC-9	Outer Guard
9	918-0004-AC-10	Inner Guard
10	918-0001-23	Safety Sign
11	918-0004-8	Guard repair kit
12	918-0004-AC-11	Yoke, tube & slip sleeve #98-21762
13	918-0001-7	35R Cross & bearing kit
14	918-0004-AC-12	Automatic clutch assy. #38-13004 (18,000)
15	918-0016-AC-1	Tractor half assembly 1000 1-3/8-21 spline #93-25825
16	918-0016-AC-2	Joint & shaft assembly #95-25825
17	918-0004-AC-4	Implement half assembly #92-21762
18	918-0004-AC-5	Joint & tube assembly #94-21762
	918-0014-AC-1	Guard Set

REPAIR PARTS

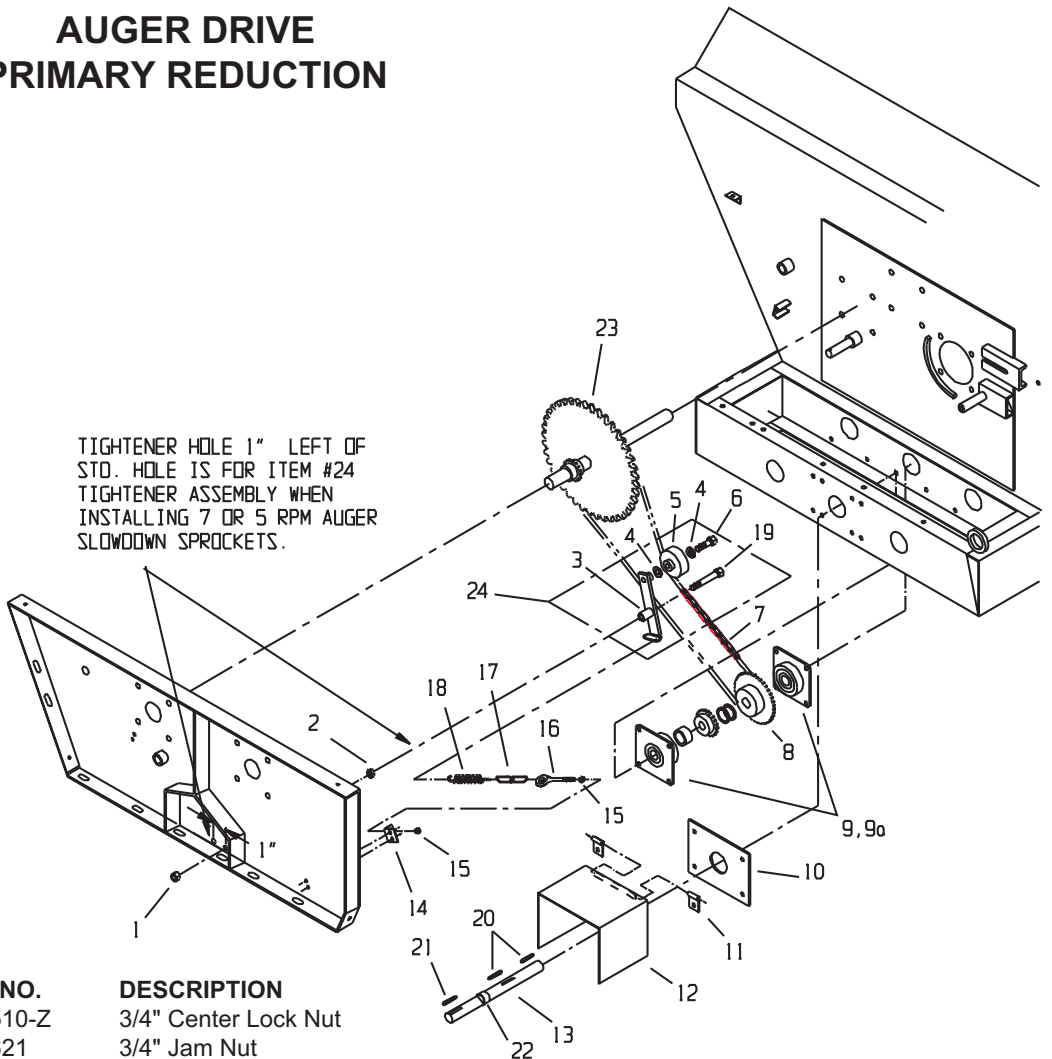
FRONT SHIELD & SIDE SHAFT DRIVE



KEY	PART NO.	DESCRIPTION
1	914-3801	Pillow Block Bearing, 1-3/8"
2	910-0013	80B 18 1-3/8"B, 5/16" KWY
4	923-3816	Shaft Front Side, 2636
	923-3817	Shaft Front Side, 3245
	923-3818	Shaft Front Side, 3954
5	925-3832	Tightener Assembly, Complete
6	801-5013-1.25Z	1/2"-13x1.25" Bolt, GR2
7	925-3807-3	Retaining Washer
8	808-1.25-1.875-10	Machine Bushing, 10GA
9	912-0001	Nylon Roller
10	925-3832-1	Chain Tightener Brkt Assy, RH
11	911-0035	Chain #80x95pitches
12	808-150-300-10	Machine Bushing, 10GA
13	910-0015	Sprocket 80B18x1-1/2"B, 3/8" Keyway
14	933-3810	Center Shaft Spacer 5/8" Long

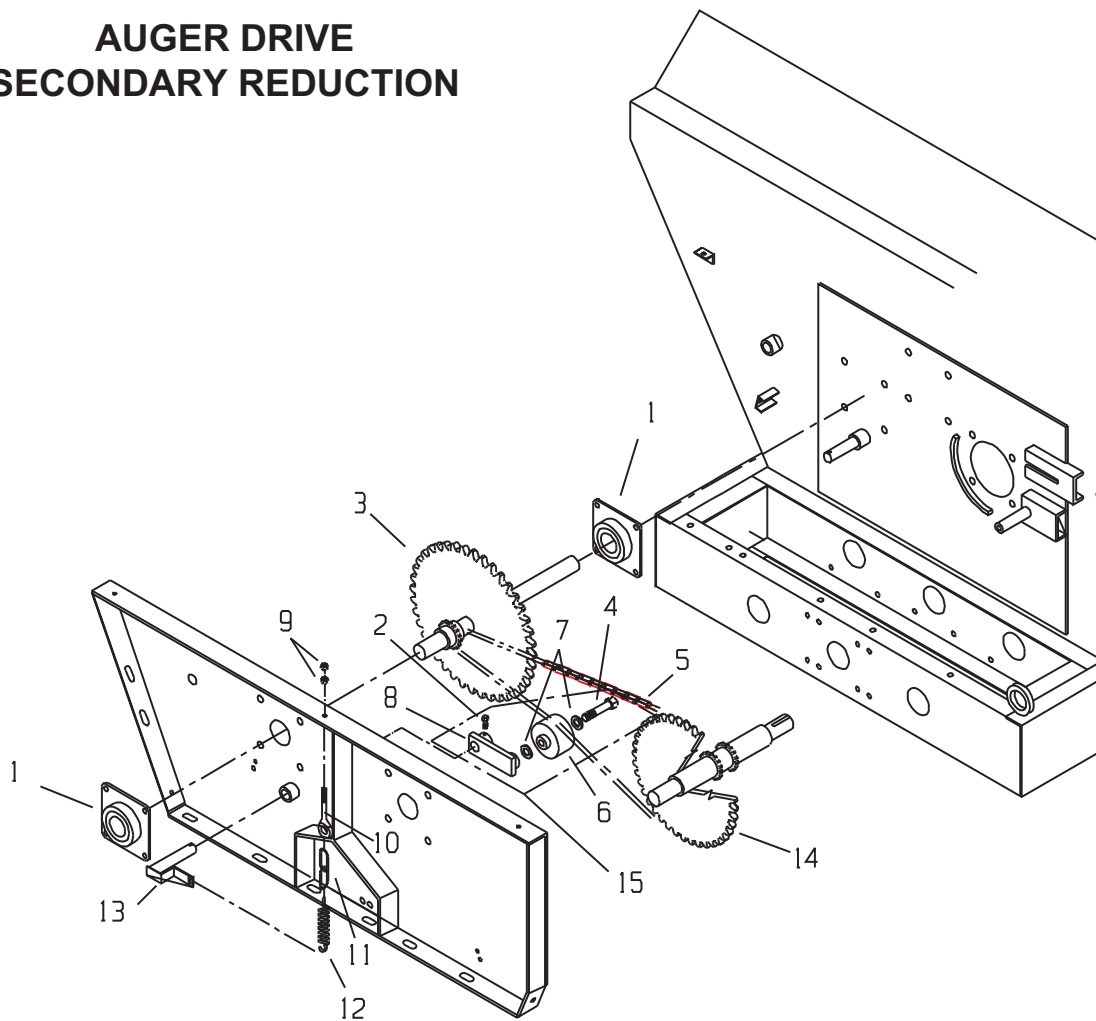
KEY	PART NO.	DESCRIPTION
15	813-3118-Z	5/16" Regular Nut
16	925-3825	Tightener Clip (3 hole)
17	933-3804	5/16"x3" Full Thread Eye Bolt
18	925-3822-6	2 Links 3/16" Proof Coil Chain
19	929-3601	Spring
20	925-3835	Tightener Pivot Weldment
22	924-3810	Front Shield Assembly, Center
22A	32-0018-1	Heavy Duty Latch
23	924-3811-1	Front Shield Assembly, LF
24	924-3812	Front Shield Assembly, RF
25	35-0013	5/16"x5/16"x1-1/2" Square Key
28	801-3118-2Z	5/16"-18x2" Bolt, GR2
29	808-1.25-1.875-16	Machine Bushing, 16GA
30	46-3600-12	Operating Procedure <u>Decal</u>
31	46-3600-14	Maintenance Warning <u>Decal</u>

AUGER DRIVE PRIMARY REDUCTION



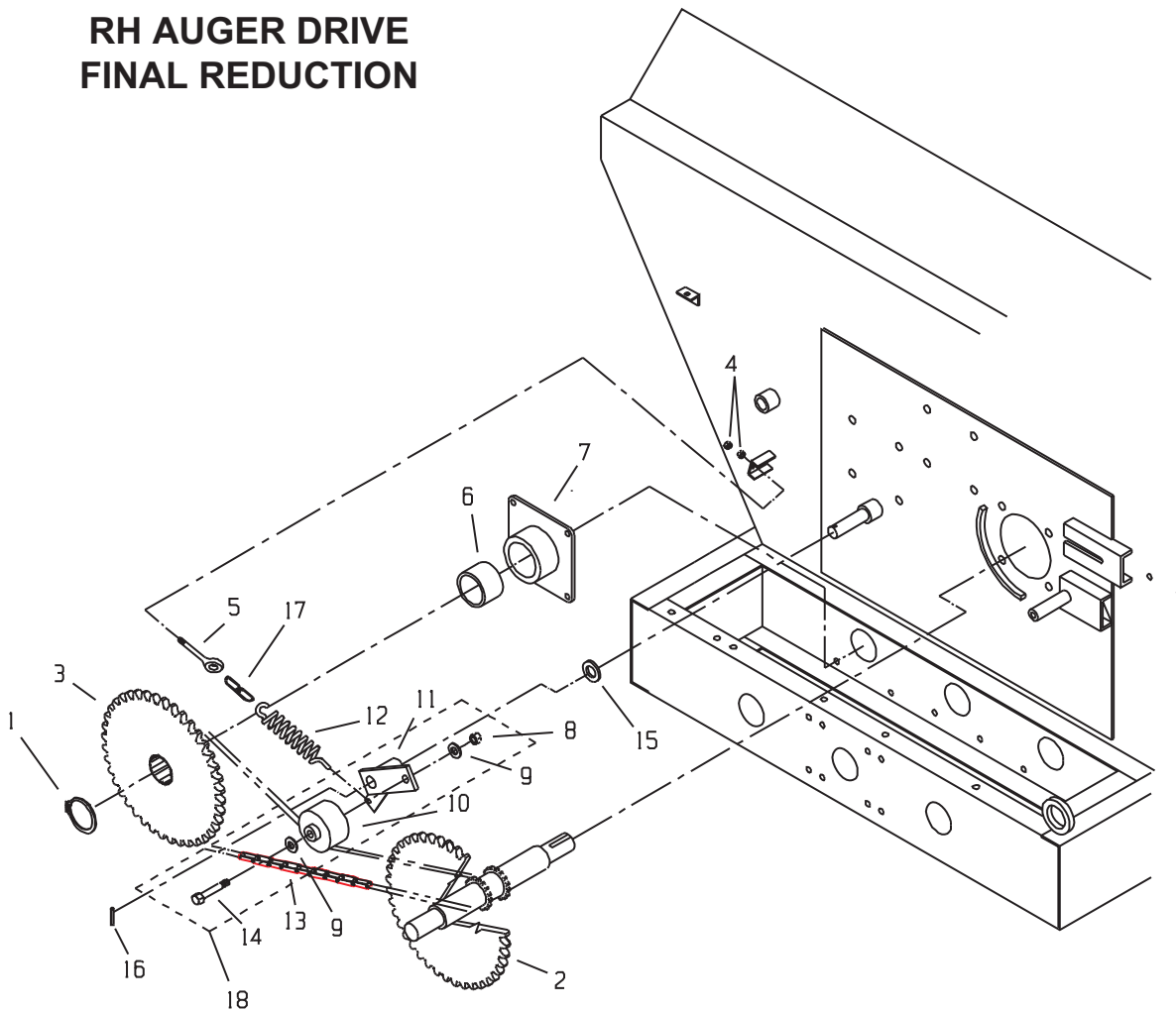
KEY	PART NO.	DESCRIPTION
1	814-7510-Z	3/4" Center Lock Nut
2	933-3621	3/4" Jam Nut
3	925-3845-3	Tightener Arm Welded Assy
4	808-.75-1.25-14	Machine Bushing, 14GA
5	912-0005-1	Tightener Roller 1-3/8" (rubber)
6	801-7510-2Z	3/4"-10x2" Bolt, GR2
7	911-0032	Chain #80x86 pitches
8	910-0039	Sprocket 80B22 1-1/2" Bore, 3/8" Keyway (10 RPM on Augers) STANDARD
	910-0033	Sprocket 80B15 1-1/2" Bore, 3/8" Keyway (7 RPM on Augers)
	910-0005	Sprocket 80B12 1-1/2" Bore, 3/8" Keyway (5 RPM on Augers)
9	914-3602	Bearing 4 Bolt Flange, 1-1/2" Bore
10	925-3601	Front Bearing Plate
11	931-3601-3	Outer Hinge
12	931-3810	CV/ORFSC PTO Shied Assembly
13	923-3821	CV/ORFSC Input Drive Shaft
14	925-3825	Tightener Clip (3 hole)
15	813-3118-Z	5/16" Regular Nut
16	933-3804	5/16"x3" Full Thread Eye Bolt
17	925-3822-6	2 Links 3/16" Proof Coil Chain
18	929-3601	Spring
19	851-7510-4Z	3/4"-10x4" Bolt, GR5
20	35-0010	3/8"x3/8"x1-1/2" Square Key
21	35-0015	3/8"x3/8"x3" Square Key
22	933-3807	Center Shaft Spacer 9/16" Long, Behind PTO
23	910-0052	Welded Sprocket Assy, RH, 8060x8012
24	925-3845	Tightener Assembly Complete

AUGER DRIVE SECONDARY REDUCTION



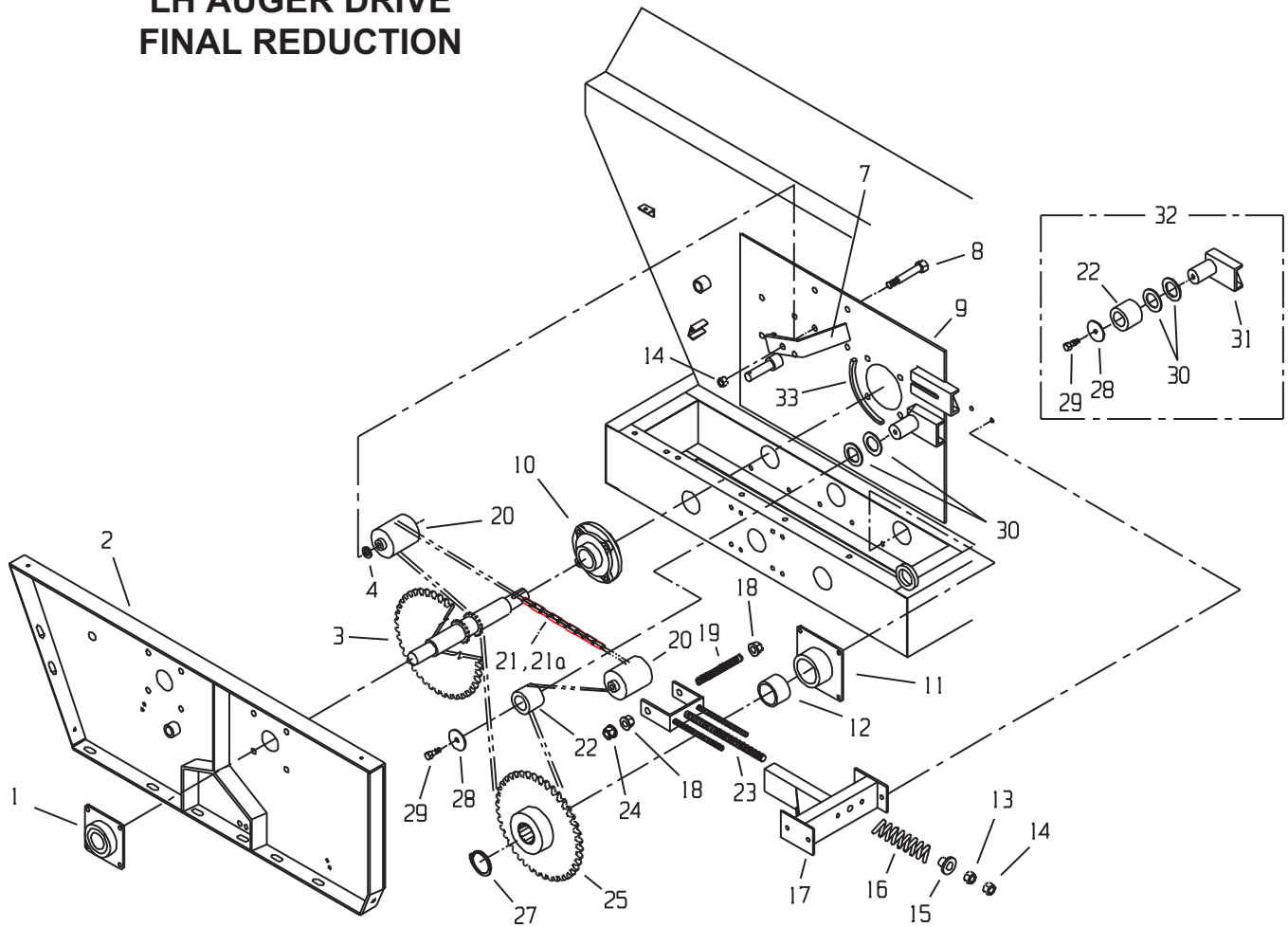
KEY	PART NO.	DESCRIPTION
1	14-0031	Bearing, 4 Bolt, 2" Bore
2	801-3118-2Z	5/16"-18x2" Bolt, GR2
3	910-0052	Welded Sprocket Assy, RH, 8060x8012
4	801-7510-2.5Z	3/4"-10x2-1/2" Bolt, GR2
5	911-0018	Chain #80x73 pitches
6	912-0002-1	Tightener Roller 2" (rubber)
7	808-.75-1.25-14	Machine Bushing, 14GA
8	925-3824-4	Tightener Arm Welded Assy
9	813-3118-Z	5/16" Regular Nut
10	933-3804	5/16"x3" Full Thread Eye Bolt
11	925-3822-6	2 Links 3/16" Proof Coil Chain
12	929-3601	Spring
13	925-3823	Offset Tightener Arm
14	910-0060	Welded Sprocket Assy, LH, 8060x12009 (3245, 3954)
	910-0051-HD	Welded Sprocket Assy, LH 8060x12009 (2636)
15	925-3824	Tightener Assembly Complete

RH AUGER DRIVE FINAL REDUCTION



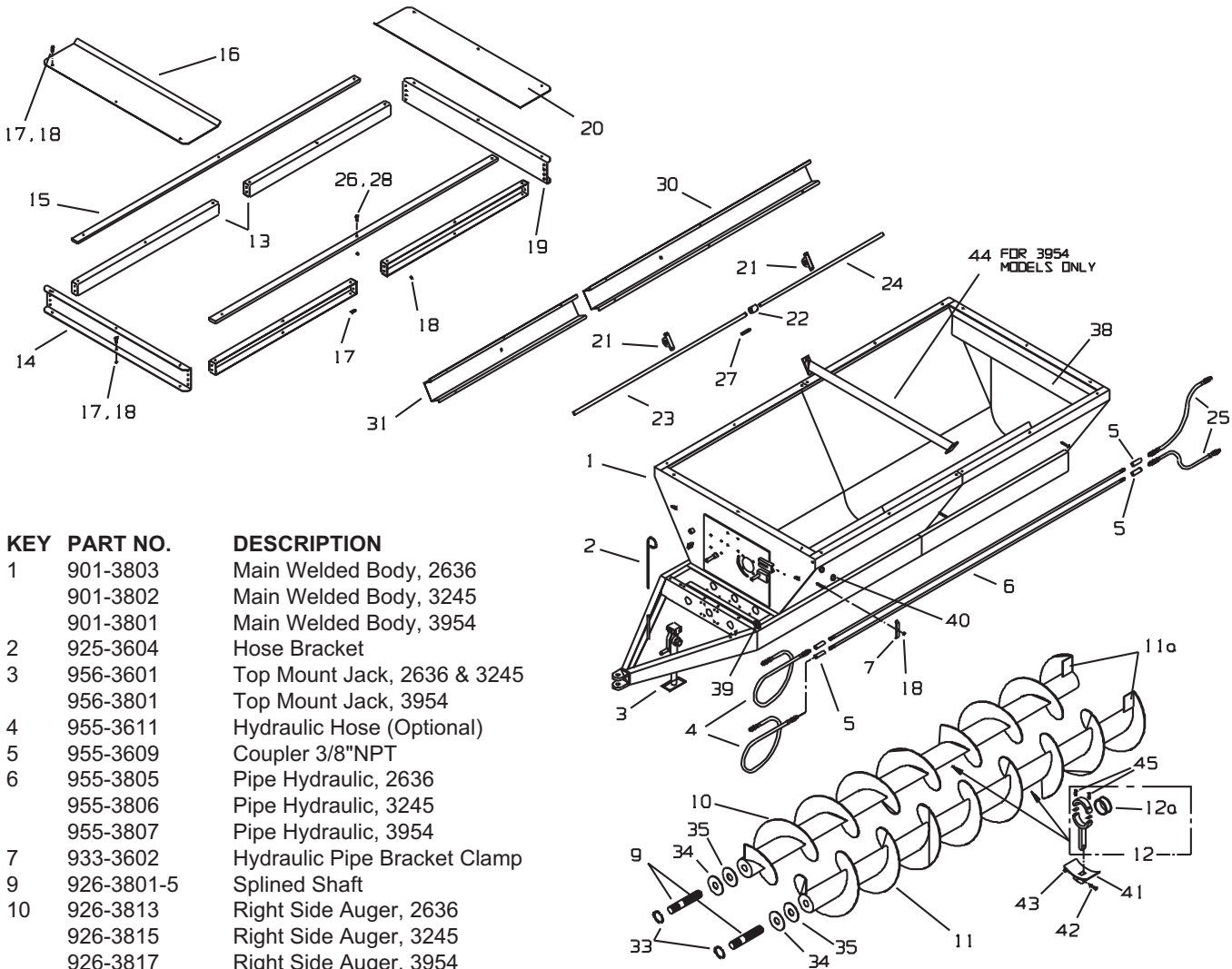
KEY	PART NO.	DESCRIPTION
1	33-0025	2-1/2" Retaining Ring
2	910-0060	Welded Sprocket Assy, LH, 8060x12009 (3245, 3954)
3	910-0051-HD	Welded Sprocket Assy, LH 8060x12009 (2636)
4	910-0028	Auger Sprocket 120B33, Splined
5	813-3118-Z	5/16" Regular Nut
6	933-3804	5/16"x3" Full Thread Eye Bolt
7	913-3801-1	Auger Bushing Only
8	925-3834	2-1/2" ID x 2-3/4" OD x 2" Long Front Auger Bearing Plate Assm. with Bushing, RH
9	815-7510-Z	3/4" Nylon Insert Lock Nut
10	808-.75-1.25-14	Machine Bushing, 14GA
11	912-0002-1	Tightener Roller, 2" (rubber)
12	925-3848-7	Tightener Arm Welded Assy
13	929-3601	Spring
14	911-0023	Chain #120x56 pitches
15	801-7510-2.5Z	3/4"-10x2-1/2" Bolt, GR2
16	805-0010-Z	1" Flat Washer
17	38-0013	5/16"x1-3/4" Roll Pin
18	925-3822-6	2 Links 3/16" Proof Coil Chain
	925-3848	Tightener Assembly Complete

LH AUGER DRIVE FINAL REDUCTION



KEY	PART NO.	DESCRIPTION	KEY	PART NO.	DESCRIPTION
1	14-0031	Bearing, 4 Bolt Flange, 2" Bore	17	925-3837	Tightener Mount Weldment
2	925-3844	Front Bearing Mounting Plate	18	925-3843	Inner Slide Nut Assembly
3	910-0060	Welded Sprocket Assy, LH, 8060x12009 (3245, 3954)	19	925-3839	3/4"x8" Redi Bolt
	910-0051-HD	Welded Sprocket Assy, LH, 8060x12009 (2636)	20	912-0003-1	Tightener Roller, 4" (rubber)
4	808-.75-1.325-14	Machine Bushing, 14GA	21	911-0024	Chain #120x72 pitches
7	925-3846-2	4" Snugulator Support Arm Assy	21A	911-0026	#120 Diamond Connector Link
8	801-7510-6Z	3/4"-10x6" Bolt, GR2	22	912-0001	Nylon Roller
9	925-3870-1	Bearing Back Plate (3245, 3954)	23	925-3838	Tightener Weldment Yoke
	925-3820-1	Bearing Back Plate (2636)	24	925-3842	Outer Slide Nut Assembly
10	914-3807	Bearing, 4-Bolt, 2-1/2" Bore (3245, 3954)	25	910-0028	Auger Sprocket 120B33, Splined
	914-3802	Bearing, 4-Bolt, 2-1/4" Bore (2636)	27	33-0025	2-1/2" Retaining Ring
11	925-3833	Front Auger Bearing Plate Assm. with Bushing, LH	28	925-3807-3	Nylon Roller Retaining Washer
12	913-3801-1	Auger Bushing Only 2-1/2" IDx2-3/4" ODx2" Long	29	801-5013-1.25Z	1/2"-13x1.25" Bolt, GR2
13	813-7510-Z	3/4" Nut, Regular	30	808-1.25-1.875-10	Machine Bushing, 10GA
14	933-3621	3/4" Jam Nut	31	925-3816-2	Chain Hold Down Bracket
15	925-3841	Spring Tightener Guide	32	925-3816	Roller Assembly
16	29-0009	Spring, Compression	33	925-3869	Support For Bearing (3245, 3954)
				925-3867	Support For Bearing (2636)

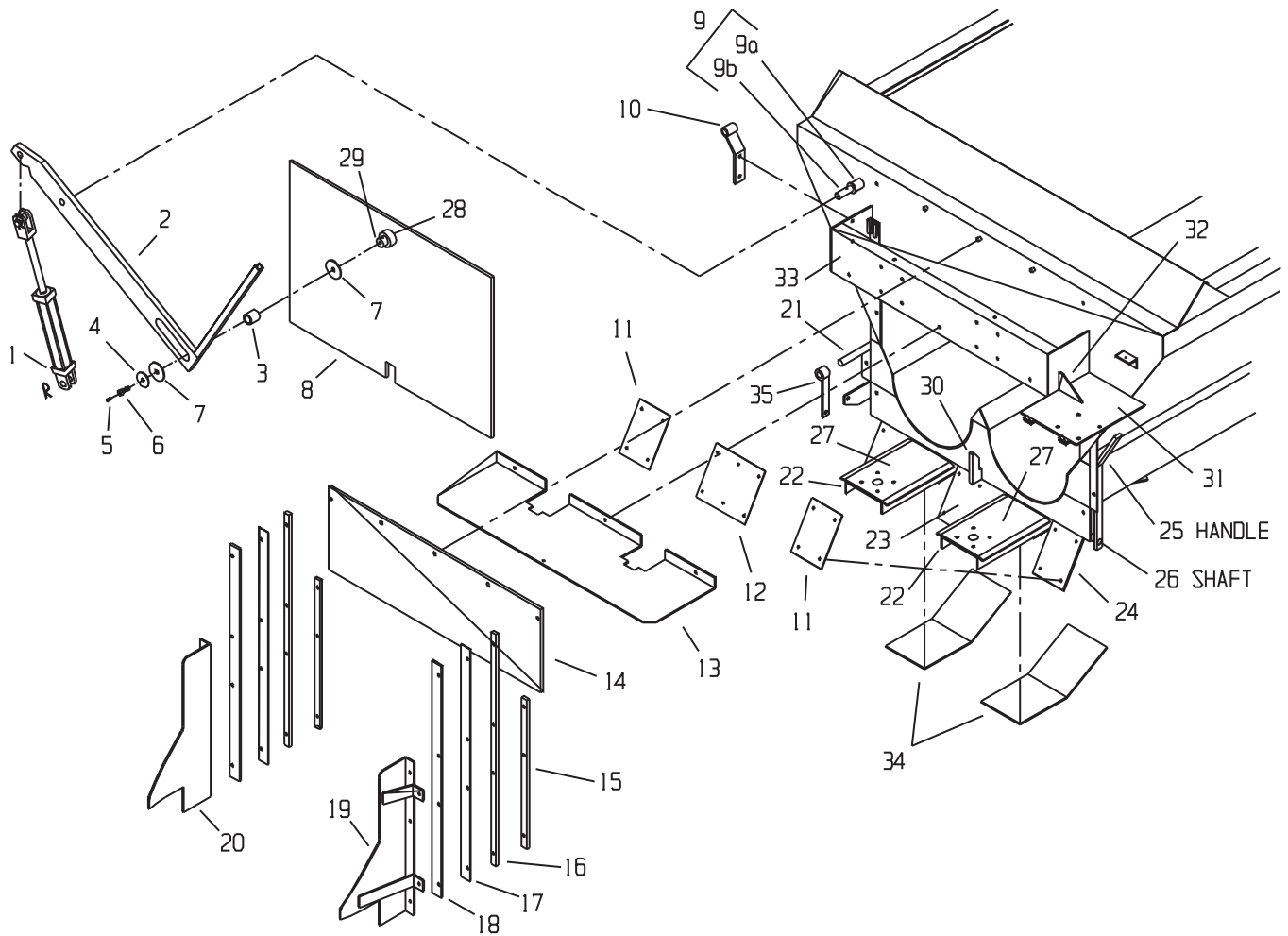
BOX, AUGERS & SIDE SHAFT



KEY	PART NO.	DESCRIPTION
1	901-3803	Main Welded Body, 2636
	901-3802	Main Welded Body, 3245
	901-3801	Main Welded Body, 3954
2	925-3604	Hose Bracket
3	956-3601	Top Mount Jack, 2636 & 3245
	956-3801	Top Mount Jack, 3954
4	955-3611	Hydraulic Hose (Optional)
5	955-3609	Coupler 3/8"NPT
6	955-3805	Pipe Hydraulic, 2636
	955-3806	Pipe Hydraulic, 3245
	955-3807	Pipe Hydraulic, 3954
7	933-3602	Hydraulic Pipe Bracket Clamp
9	926-3801-5	Splined Shaft
10	926-3813	Right Side Auger, 2636
	926-3815	Right Side Auger, 3245
	926-3817	Right Side Auger, 3954
11	926-3814	Left Side Auger, 2636
	926-3816	Left Side Auger, 3245
	926-3818	Left Side Auger, 3954
11A	926-3801-8	Auger Flighting Support Gusset
12	901-3840	Auger Hold Down Wldmt w/brg.
12A	901-3840-1	Nylon Bearing
13	901-3816-18	9" Extension Side Rail, 2636
	901-3816-20	9" Extension Side Rail, 3245
	901-3816-22	9" Extension Side Rail, 3954
14	901-3816-30	Extension Front Rail
15	901-3816-27	Poly Board Top Rail, 2636
	901-3816-28	Poly Board Top Rail, 3245
	901-3816-29	Poly Board Top Rail, 3954
16	901-3830-1	Front Splash Guard
17	801-5013-1.25Z	1/2"-13x1-1/4" Bolt, GR2
18	810-5013-Z	1/2" Flange Lock Nut
19	901-3816-30	Extension Back Rail
20	901-3830-5	Rear Splash Guard
21	914-3801	Pillow Block Bearing 1-3/8"
22	937-0002	Shaft Coupler 1-3/8"
23	923-3816	Shaft Front Side, 2636
	923-3817	Shaft Front Side, 3245
	923-3818	Shaft Front Side, 3954

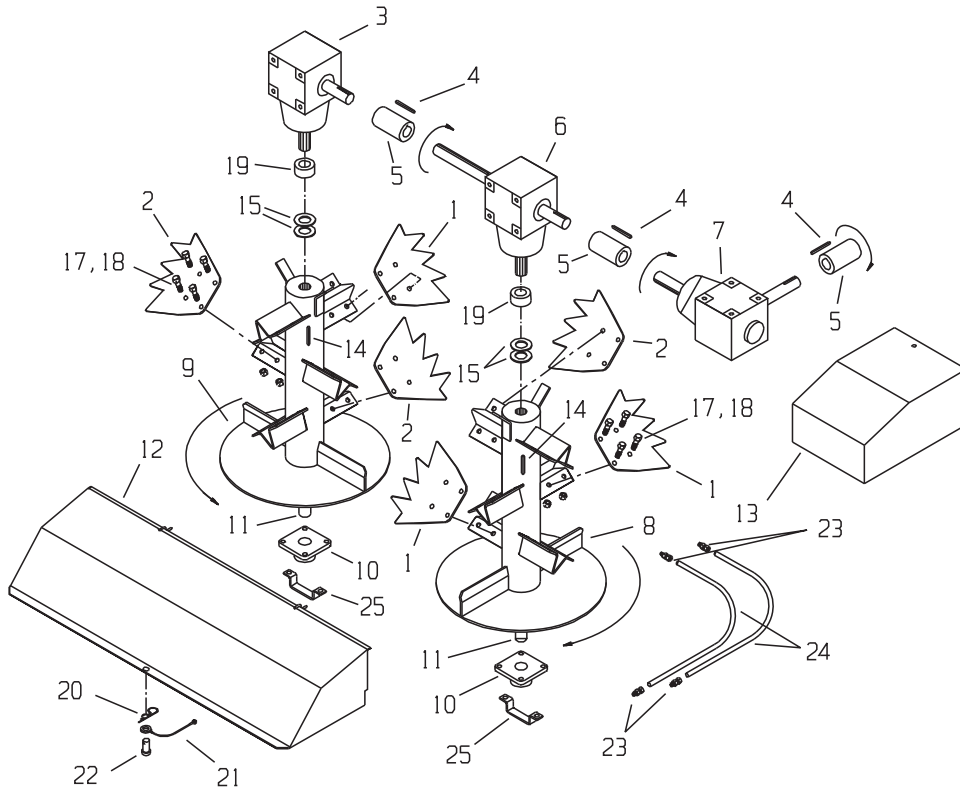
KEY	PART NO.	DESCRIPTION
24	923-3815	Shaft Rear Side
25	955-0002	3/8" Hyd. Hose Swivel
26	800-3816-1.25Z	Carriage Bolt 3/8x1-1/4"
27	35-0017	5/16"x5/16"x4-1/2" Key
28	814-3816-Z	3/8" Center Lock Nut
30	924-3813-1	Side Shaft Rear Shield
31	924-3814-1	Side Shaft Front Shield, 2636
	924-3815-1	Side Shaft Front Shield, 3245
	924-3816-1	Side Shaft Front Shield, 3954
33	33-0025	2-1/2" Retaining Ring
34	933-3802	Front Auger Washer
35	933-3801	Bronze Washer
38	901-3843	Inner Rear Panel Support
39	901-3801-41	Hydraulic Hose Holder Ring
40	901-3801-40	Scraper Holder Ring
41	901-3841	Auger Hold Down Attaching Brkt
42	881-5013-3Z	1/2"-13x3" Bolt, GR8
43	815-5013-Z	1/2"-13 Nylon Insert Lock Nut
44	901-3810-6	3954 Cross Support Pipe w/tabs
45	831-5013-1.5	1/2"-13x1 1/2 HHCS GR 8

UNLOADING GATE & TRIP PAN DOORS



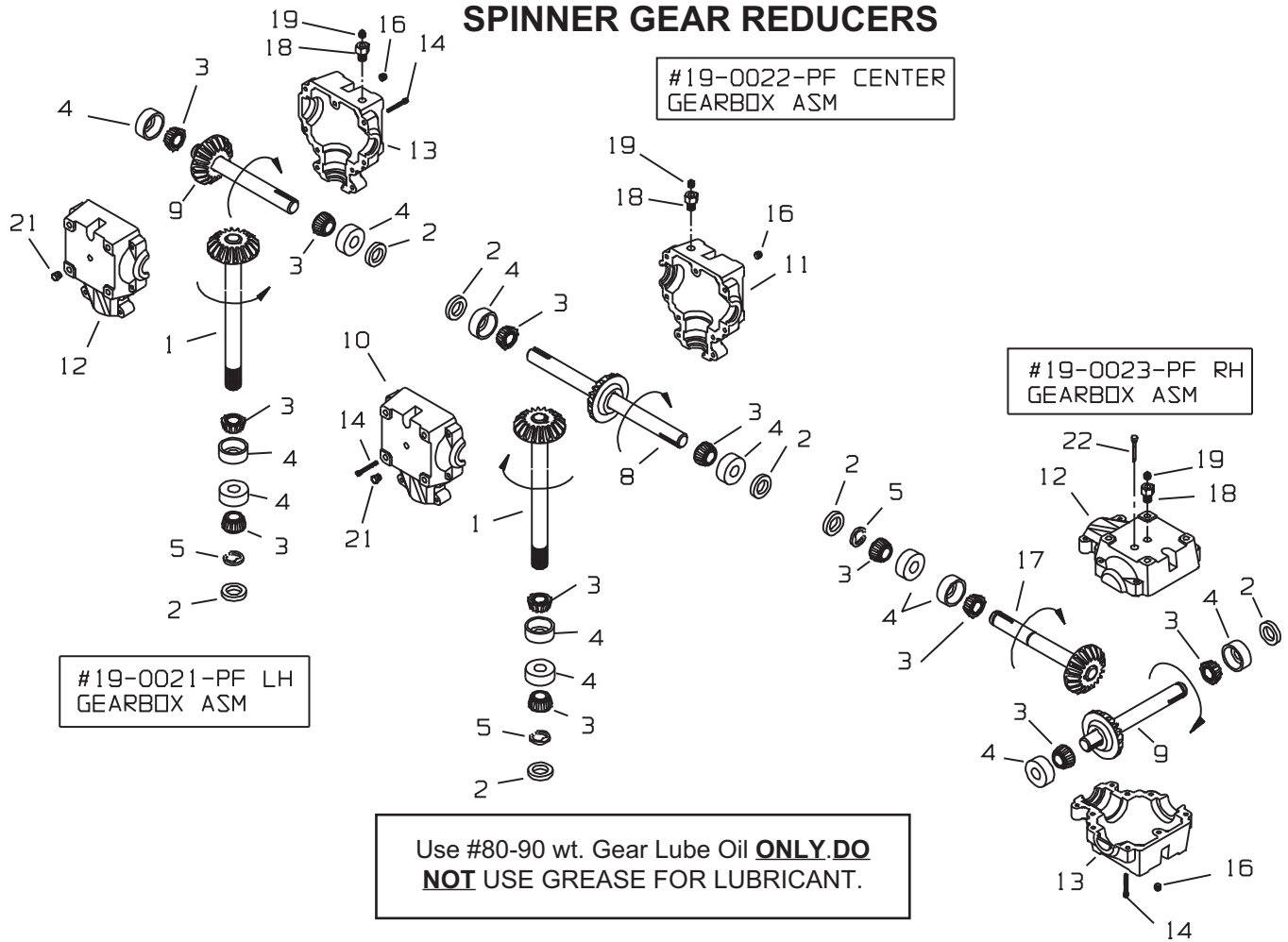
KEY	PART NO.	DESCRIPTION	KEY	PART NO.	DESCRIPTION
1	955-3802	Hydraulic Cylinder	18	901-3847-2	Back Gate Slide Guide
2	901-3837	Gate Lifting Arm w/Indicator	19	925-3851	RR Material Guide
3	75-0031-9	Headless Bushing	20	925-3850	LR Material Guide
4	925-3807-3	Punchout Retaining Washer	21	901-3854	Hyd. Cylinder Clevis Shaft Assy
5	30-0001	1/4"-28 Straight Grease Fitting	22	901-3842-1	Spinner Mounting Channel
6	33-0030-RH	1/2"x3/4" Drilled Grease Bolt	23	925-3854-4	Center Trap Door
7	805-0125	Washer, 1-1/4" ID	24	925-3854-3	Outside Trap Door
8	901-3838	Flow Control Gate Complete	25	925-3854-5	Handle
9	901-3839	Lifting Arm Support Assembly	26	925-3854-2	Trap Door Pivot Shaft
9A	901-3839-1	Shaft Sleeve, Arm Pivot	27	901-3842-3	Spinner Channel Poly Slick
9B	901-3839-2	Arm Shaft, Arm Pivot	28	901-3838-3	Shaft Sleeve, Gate Pivot
10	925-3853	Lifting Arm Support Bracket	29	901-3838-2	Arm Shaft, Gate Pivot
11	925-3854-6	Outer Trap Door Poly Slick	30	901-3846	Back Gate Holder Hook
12	925-3854-7	Center Trap Door Poly Slick	31	925-3852	RR Gearbox Mounting Plate
13	901-3845-1	Rear Shield Mounting Plate	32	901-3853	RR Gearbox Support Gusset
14	901-3848	Upper Back Gate Poly Slick	33	901-3844-1	Gearbox Mounting Channel
15	901-3849	Lower Back Gate Poly Slick Spacer	34	925-3857	Rear Lower Skid Plate, 3/16"x8"x12"
16	901-3847-1	Back Gate Slide Spacer	35	901-3854-5	Shaft Support Weldment
17	901-3847-3	Back Gate Slide Poly Slick			

SPINNERS & GEARBOX SHAFT DRIVE



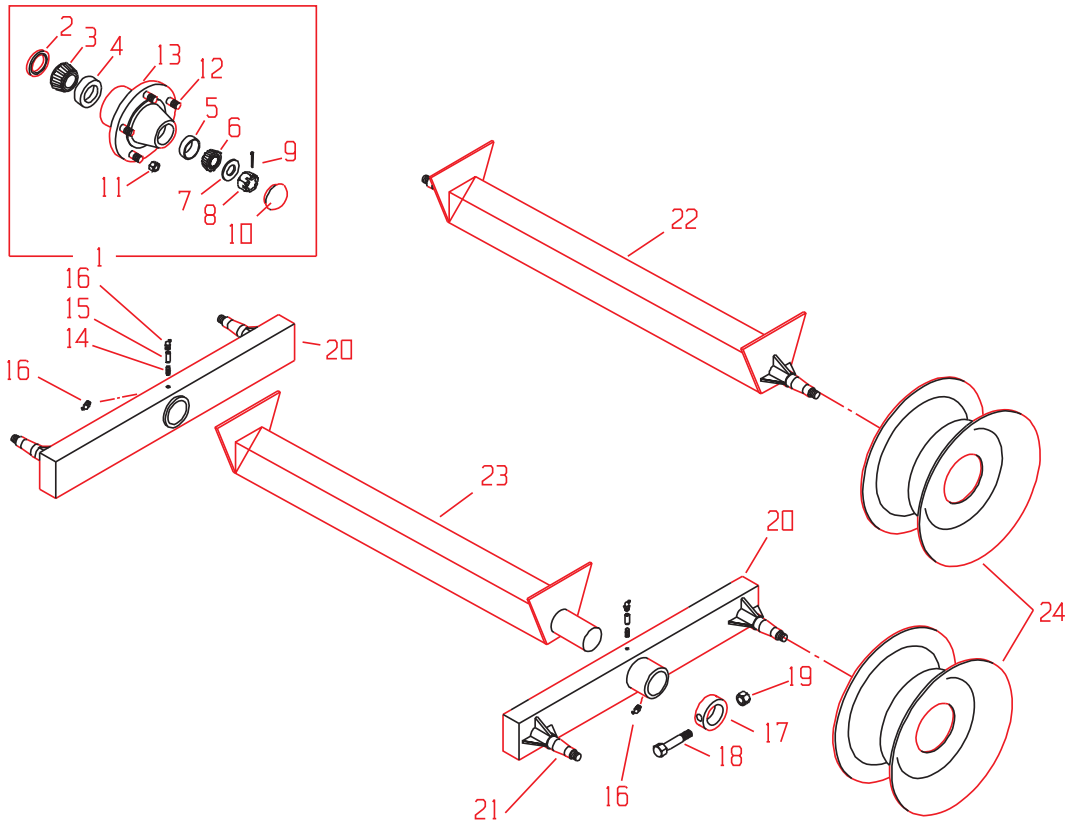
KEY	PART NO.	DESCRIPTION
1	901-3834-1	RH, 4-Point Tooth Paddle, 3/8"
2	901-3835-1	LH, 4-Point Tooth Paddle, 3/8"
3	19-0021- PF	Gearbox, Left
4	35-0017	5/16"x5/16"x4-1/2" Key
5	937-0002	Shaft Coupler, 1-3/8" Bore w/5/16" KWY w/4 Set Screws
6	19-0022 - PF	Gearbox, Center w/thru Shaft
7	19-0023 - PF	Gearbox, Right
8	901-3856-1	RH Spinner Welded Assy, Less Paddles
9	901-3855-1	LH Spinner Welded Assy, Less Paddles
10	914-3603	Bearing 4 Bolt Flange 1-3/8" Bore
11	901-3855-8	Bottom Spinner Shaft w/3/16" Keyway
12	924-3817	Rear Shield Assembly
13	924-3818	RR Shield Assembly
14	35-0005	5/16"x5/16"x1" Square Key (Internal)
15	808-1.38-2.5-14	Machine Bushing, 14GA
	808-1.38-2.5-18	Machine Bushing, 18GA
	808-1.38-2.5-10	Machine Bushing, 10GA
17	851-5013-1.5Z	1/2"-13x1-1/2" Bolt, GR5
18	815-5013-Z	1/2"-13 Nylon Insert Lock Nut
19	921-0001	1-3/8" One Piece Set Collar
20	32-0021	2" Hairpin Clip
21	32-0022	6" Lanyard
22	32-0023	3/8x3/4 Clevis Pin
23	930-3602	Male Connector Brass Compression
24	735-.25CT	Copper Tube Grease Line
25	925-3871	Spinner Shaft Stop Bracket

SPINNER GEAR REDUCERS



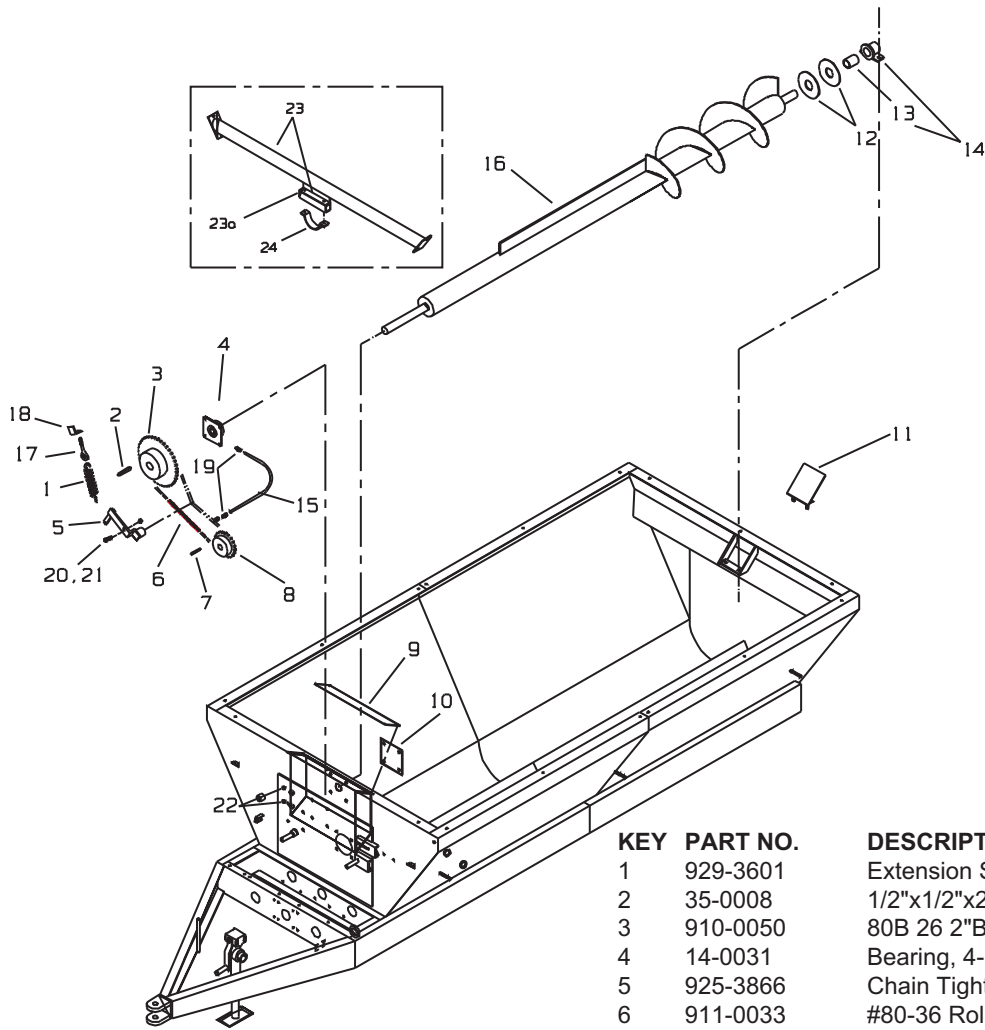
KEY	PART NO.	DESCRIPTION
1	19-0022-1-PF	Splined Pinion Output Shaft/Gear Assy
2	19-0018-2	Seal
3	19-0018-3	Bearing Cone
4	19-0016-3	Bearing Cup
5	19-0018-4	Retaining Ring
7	19-0018-6	Key 5/16"x5/16"x1-1/2" (Hard)
8	19-0022-2-PF	Center Gearbox Cross Thru Shaft/Gear Assy
9	19-0018-7-PF	RH/LH Gearbox Cross Input Shaft/Gear Assy
10	19-0019-2	Center Gearbox Casting (thru holes)
11	19-0019-3	Center Gearbox Casting (tapped holes)
12	19-0016-8	RH/LH Gearbox Casting (tapped holes)
13	19-0016-2	RH/LH Gearbox Casting (thru holes)
14	19-0016-11	Bolt 2-1/4" SHCS
16	19-0016-5	Plug 1/2"NPT Plain
17	19-0023-1-PF	RH Gearbox Pinion Output Shaft/Gear Assy
18	19-0023-2	3/8" Drilled Fill Plug Bolt
19	19-0002-17	3/8" Dia. Vent Plug
20	19-0022-3	Spacer, 3"
21	19-0021-2	Sight Plug

HUBS, AXLE & TANDEM AXLE ASSEMBLY



KEY	PART NO. MODEL	PART NO. MODELS	DESCRIPTION
	3954	2636 & 3245	
1	75-0207	75-0205	Hub Assembly (complete)
2	75-0207-2	75-0205-2	Seal
3	75-0207-3	75-0205-3	Bearing Cone
4	75-0207-4	75-0205-4	Bearing Cup
5	75-0202-4	75-0202-4	Bearing Cup
6	75-0202-3	75-0202-3	Bearing Cone
7	75-0205-7	75-0205-7	Washer
8	75-0205-8	75-0205-8	Nut
9	75-0205-9	75-0205-9	Cotter Pin
10	75-0205-10	75-0205-10	Hub Cap
11	75-0205-11	75-0205-11	Lug Nut
12	75-0207-12	75-0205-12	Stud Bolt
13	75-0207-1	75-0205-1	Hub Only w/Races & Studs
14	30-0008	30-0008	Nipple 1/8"NPT
15	30-0009	30-0009	Coupler 1/8"NPT
16	30-0006	30-0006	Zerk 1/8"NPTx90°
17	901-3615-11	901-3615-11	Locking Collar
18	851-3816-5.5	851-3816-5.5	HHCS 3/8"x5-1/2", Grade 5
19	814-3816-Z	814-3816-Z	Locknut 3/8" Center
20	901-3861	901-3863	Tandem w/Spindles
21	75-0107	75-0104	Spindle Only
22	not available	901-3828	Single Axle w/Spindles
23	901-3860	901-3860	Tandem Axle Assembly Only
24	75-0253	75-0253	Wheel Rim, W11Cx16.1 (14Lx16.1 Tire)
	75-0262-HD	75-0262-HD	Wheel Rim, W14Cx16.1 (16.5Lx16.1 Tire)

OPTIONAL THIRD AUGER



Items 10 and 11 are used on two auger units only.

KEY	PART NO.	DESCRIPTION
1	929-3601	Extension Spring
2	35-0008	1/2"x1/2"x2" Square Key
3	910-0050	80B 26 2"B, 1/2" Keyway
4	14-0031	Bearing, 4-Bolt Flange, 2" B
5	925-3866	Chain Tightener Bracket Wldmt.
6	911-0033	#80-36 Roller Chain w/Conn.
7	35-0010	3/8"x3/8"x1-1/2 Square Key
8	910-0005	80B 12, 1-1/2"B, 3/8" KWY
9	925-3861	Oil Bath Cover
10	925-3860	Bearing Hole Cover
11	925-3863	3rd Auger Rear Support Cover
12	933-3606	Bronze Washer
13	913-3601-2	Bronze Bushine w/Graphite Groove
14	925-3865	3rd Auger Rear Shaft Support Sleeve w/Bushing
15	735-.25CT	Copper Tube Grease Line
16	926-3819	Third Auger Assembly, 2636
	926-3820	Third Auger Assembly, 3245
	926-3821	Third Auger Assembly, 3954
17	933-3804	Eyebolt, Full Thread
18	901-3812-1	Tighten Angle Clip (one hole)
19	930-3602	Male Connector Brass Compression
20	801-6311-2Z	5/8"-11x2" Gr. 2 Machine Bolt
21	814-6311-Z	5/8"-11 Center Lock Nut
22	955-3809	3/8" Square Head Steel Pipe Plug
23	901-3862	3rd Auger Front Support Assembly
		<i>Models 3954 Only</i>
23A	901-3862-1	Spacer Tube
		<i>Models 3954 Only</i>
24	901-3832-2	3rd Auger U Support Bracket
		<i>Models 3954 Only</i>

MEYER SUPER SPREADER

“TROUBLE SHOOTING”

	SYMPTOM	PROBLEM	SOLUTION
AUGERS	Augers shake or chatter	Stiff roller chains - dry Loose roller chains Worn sprockets/chains Dry auger trough	Lubricate roller chains Tighten roller chains Replace sprockets/chains Load auger trough w/manure
	Augers wobble/lift up & down	Worn auger shaft bushings Worn auger hold down nylon bearings	Replace auger shaft bushings Replace auger hold down nylon bearings
FLOW CONTROL GATE	Will not lift	No hydraulic supply Froze tight	Supply hydraulic power Thaw frozen build-up
	Will not close/seal	Lodged foreign object/dirty	Remove foreign object/clean
	Sticks/binds	Dirty/dry slide guides Worn slide guides Worn out slide guide poly-slick	Clean/lubricate slide guides Replace slide guides Replace slide guide poly-slick
GEAR BOXES	Clunking sounds	Gears/bearings wear-ing-low oil	Replace gears/bearings-fill with #80-90 wt. gear lube oil
	Excessive oil use	Worn out oil seals Dry manure & twine wrapping	Replace oil seals Clean & remove build-up at seal areas
	Gear damage	High speed/full load start-up Worn out gears	Slow start-up, fill with oil Replace gears
MATERIAL GUIDES	Poor spreading pattern	Material guides out of ad-justment	Adjust according to manual specifications
	Dirty/build-up	Too slow spinner RPM's	Operate spreader at rec-ommended 540 RPM
	Bending/breakage	Lodging foreign objects Multiple damaged paddles	Avoid loading foreign objects Replace paddles
PTO SHAFT	Whips/shakes	Over extended or bent PTO	Adjust tractor drawbar length Straighten/replace PTO
	Vibrates up & down	Spreader center shaft bent Slip clutch bushing worn	Replace center shaft Replace slip clutch bushing
	Worn Universal Joints	Lack of lubrication/used	Lubricate joints daily replace joint

MEYER SUPER SPREADER “TROUBLE SHOOTING”

	SYMPTOM	PROBLEM	SOLUTION
ROLLER CHAINS AND SPROCKETS	Excessive chain wear	Lack of lubrication Out of alignment/loose	Lubricate/align/tighten
	Roller chain breakage	Loose roller chain Worn sprockets	Tighten roller chains Replace sprockets
	Sprocket teeth tipped over	Worn roller chain Bad roller bearings	Replace roller chain Replace bearings
SPINNERS (PADDLES/TEETH)	Spinners turn hard/squeak	Bad lower spinner bearings	Replace lower spinner bearings
	Shake at high RPM's (excessive vibration)	Spinner bent/out of balance Wobbled out lower spinner sleeve/shaft	Straighten/balance/replace spinner Replace lower spinner sleeve/shaft.
	Excessive paddle damage	Too slow spinner RPM's	Operate spreader at recommended 540 RPM Adjust material guides
		Lodging of manure	Straighten/replace paddles Avoid loading foreign objects
		Spreading foreign objects	
TRIP PAN DOORS	Will not latch (close)	Dirty doors Loose Poly Slick Bent doors	Clean doors Refasten/replace Poly Slick Straighten/replace doors
	Will not unlatch (open)	Locked Frozen tight	Un-latch lever manually Thaw frozen build-up

Farm Equipment Buyers Trust the Name Meyer!
MEYER SUPER SPREADER
“SPECIFICATIONS”

	Model 2636		Model 3245		Model 3954	
Bushels	260(no ht. ext.)	360(with ht. ext.)	320(no ht. ext.)	450(with ht. ext.)	390(no ht. ext.)	540(with ht. ext.)
Gallon	1355	1745	1694	2189	2033	2617
Cubic Foot	181	233	227	292	272	350
Weight	5300 lbs.	5665 lbs.	6601 lbs.	7020 lbs.	7630 lbs.	8100 lbs.
Overall Height with 14L tire (add 1-1/2 inches for 16.5L tire)	58-1/2" (no ht. ext.)			67-1/2" (with ht. ext.)		
Tank Length	12'		15'		18'	
Overall Width (no tires)	79" single		90-1/2" tandem			
Overall Width w/14L	84-1/2" single		96" tandem			
Tank Steel - copper bearing	3/16"		3/16"		3/16"	
Frame construction (channel)	8"		8"		8"	
Spindle Size	2-3/4"		2-3/4"		3"	
Hub Size	8 Bolt 6,000 lbs.		8 Bolt 6,000 lbs.		8 Bolt 8,000 lbs.	
Expellor Size	20"		20"		20"	
Expellor Speed (Max.)	540 RPM		540 RPM		540 RPM	
Auger Speed (Max.)	10 RPM		10 RPM		10 RPM	
Tractor PTO Speed (Max.)	540 or 1000 RPM (optional)		540 or 1000 RPM (optional)		540 or 1000 RPM (optional)	
Auger Diameter	20"		20"		20"	
Overall Length	18' - 5"		21' - 5"		24' - 5"	
3rd Auger	Optional		Optional		Optional	

Six models available - call or write for more information.

MEMBER



Meyer Mfg. Corp.

County Hwy. A West
P.O. Box 405
Dorchester, Wisconsin 54425
Phone 715-654-5132 • FAX 715-654-5513
1-800-325-9103
E-mail: sales@meyermfg.com



