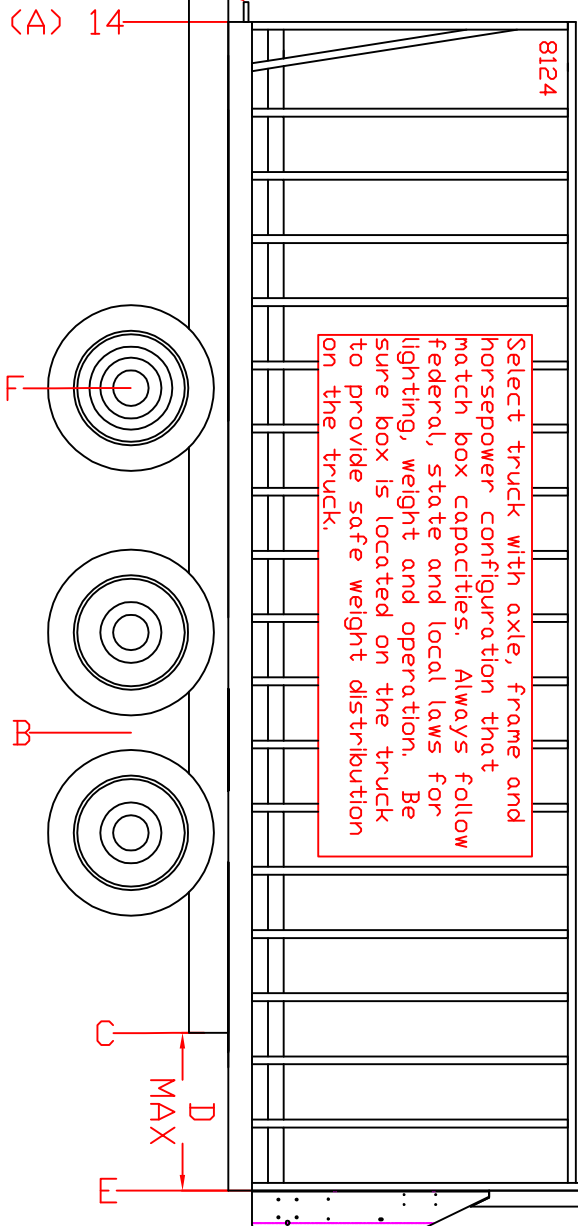
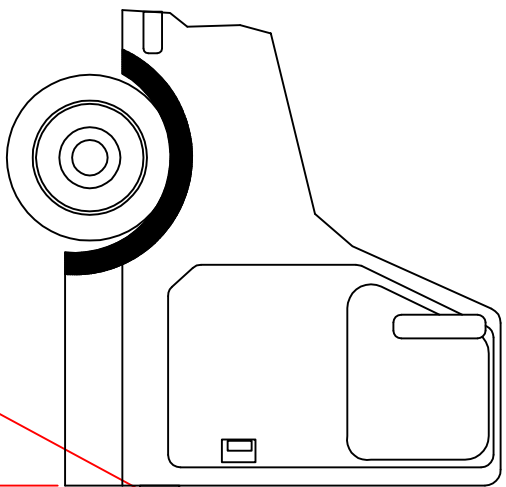


HYDRAULIC WET KIT DR TRUCK PTD PROVIDED BY CUSTOMER

HYDRAULIC PUMP 25 GPM-(8118/20/22/24)
 HYDRAULIC PUMP 40 GPM-(8126)
 3000 PSI MAX.-(8118/20/22/24)
 3500 PSI MAX.-(8126)
 RELIEF VALVE INSTALLED, SET AT 3000 PSI-(8118/20/22/24)
 RELIEF VALVE INSTALLED, SET AT 3500 PSI-(8126)
 30 GALLON RESERVOIR WITH DIL-(8118/20/22/24)
 40 GALLON RESERVOIR WITH DIL-(8126)
 3/4" NPT HYDRAULIC CONNECTIONS

TRUCK PTD DRIVE
 60-80% OF ENGINE SPEED
 #60 ROLLER CHAIN RECOMMENDED
 JACK SHAFT-60B16 SPRCKET
 8100 DRIVE 60B30 1-1/4" BORE, 1/4" KEYWAY
 (NOT AVAILABLE W/8126)

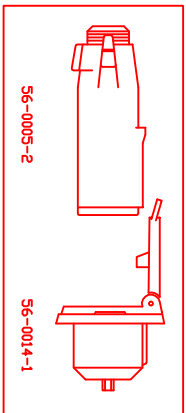


SHAFT SHOWN FOR
 MECHANICAL PTD
 UNLOAD ONLY

SIZE	A	B	C	D	E	F
8118	14"	152"	192"	38"	230"	NA
8120	14"	167"	216"	38"	254"	NA
8122	14"	182"	240"	38"	278"	NA
8124	14"	194"	270"	38"	310"	NA
8126	14"	200"	288"	38"	326"	115"

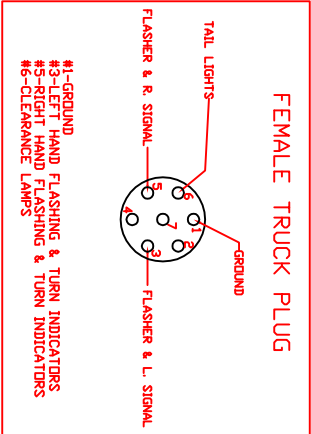
A-CAB TO FRONT OF BOX
 B-CAB TO CENTER OF AXLE
 C-CAB TO REAR OF TRUCK FRAME
 D-MAXIMUM BOX OVERHANG, 20" MINIMUM
 E-CAB TO REAR OF BOX
 F-TRI AXLE LOCATION, SUGGESTED LOCATION 8126

Select truck with axle, frame and horsepower configuration that match box capacities. Always follow federal, state and local laws for lighting, weight and operation. Be sure box is located on the truck to provide safe weight distribution on the truck.



SUPPLY A 7-PIN MALE & FEMALE PLUG OFF THE REAR OF CAB FOR LIGHT HOOK-UP TO IMPLEMENT, LOCATED CENTRALLY BEHIND CAB. FROM MEYER ORDER 56-0005-2 & 56-0014-1.

TAILLIGHT CONVERTER
 DEPENDING ON MAKE AND MODEL OF TRUCK IT MAY BE NECESSARY TO INSTALL A LIGHT CONVERTER (MEYER PART #56-0028). CONVERTER ALLOWS SIGNAL LIGHTS AND BRAKE LIGHTS TO OPERATE ACCORDING TO DOT LIGHTING.



#1-GROUND
 #3-LEFT HAND FLASHING & TURN INDICATORS
 #2-LEFT HAND FLASHING & TURN INDICATORS
 #6-CLEARANCE LAMP

TOLERANCES UNLESS OTHERWISE SPECIFIED	MEYER MFG. CORP.	
FINISH	TITLE 8100 TRUCK MOUNT DIMENSIONS	
SCALE	DWG. BY JAA	APPROVED BY
DATE 10/1/2010	DWG. NO. 8100 REAR UNLOAD TRUCK MOUNT	