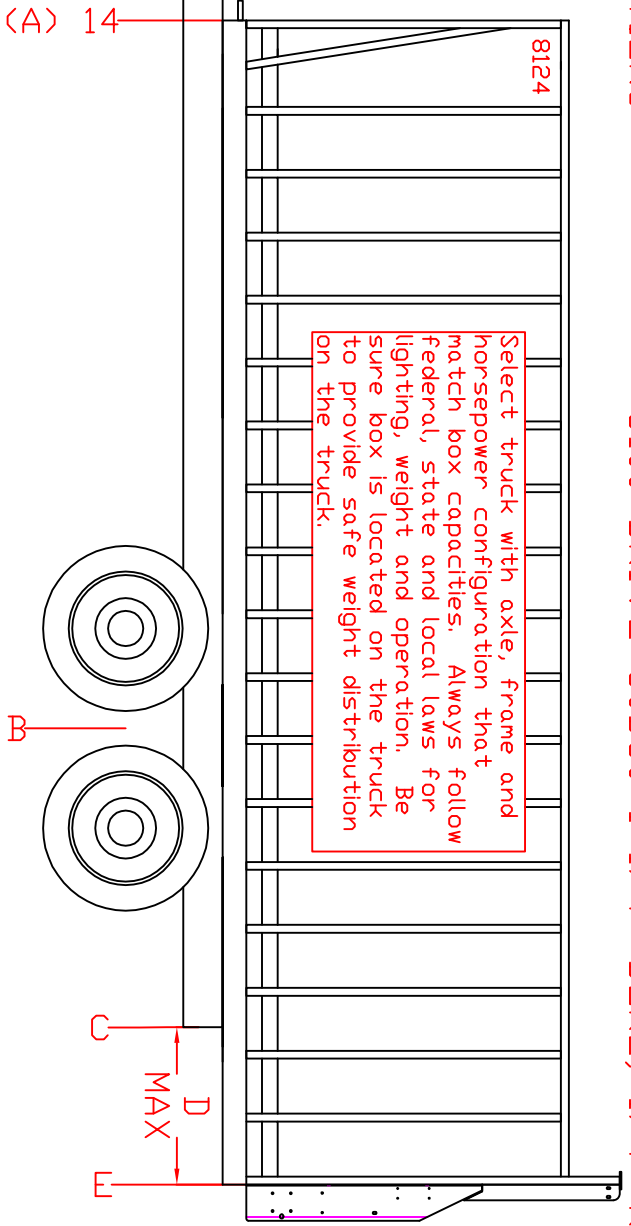
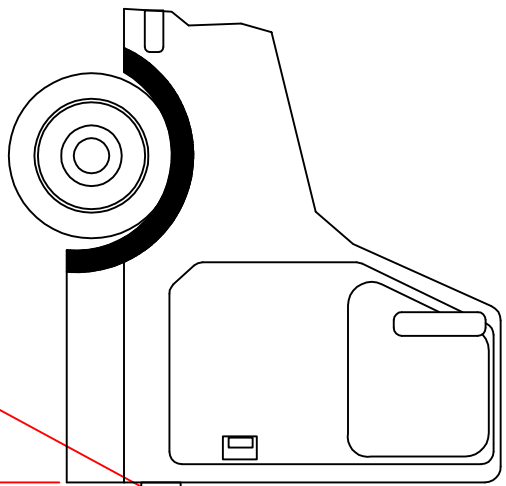


8100 BOSS REAR UNLOAD

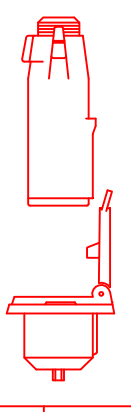
HYDRAULIC WET KIT OR TRUCK PTD PROVIDED BY CUSTOMER

HYDRAULIC PUMP 25 GPM
 3000 PSI MAX.
 RELIEF VALVE INSTALLED, SET AT 3000 PSI
 30 GALLON RESERVOIR WITH OIL
 3/4" NPT HYDRAULIC CONNECTIONS

TRUCK PTD DRIVE
 60-80% OF ENGINE SPEED
 #60 ROLLER CHAIN RECOMMENDED
 JACK SHAFT-60B16 SPRCKET
 8100 DRIVE 60B30 1-1/4" BORE, 1/4" KEYWAY



Select truck with axle, frame and horsepower configurations that match box capacities. Always follow federal, state and local laws for lighting, weight and operation. Be sure box is located on the truck to provide safe weight distribution on the truck.

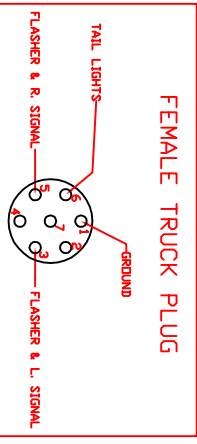


SUPPLY A 7-PIN MALE & FEMALE PLUG OFF THE REAR OF CAB FOR LIGHT HOOK-UP TO IMPLEMENT, LOCATED CENTRALLY BEHIND CAB. FROM MEYER ORDER 56-0005-2 & 56-0014-1.

TAILLIGHT CONVERTER
 DEPENDING ON MAKE AND MODEL OF TRUCK IT MAY BE NECESSARY TO INSTALL A LIGHT CONVERTER (MEYER PART #56-0028). CONVERTER ALLOWS SIGNAL LIGHTS AND BRAKE LIGHTS TO OPERATE ACCORDING TO DOT LIGHTING.

SIZE	A	B	C	D	E
8118	14"	152"	192"	38"	230"
8120	14"	167"	216"	38"	254"
8122	14"	182"	240"	38"	278"
8124	14"	194"	270"	38"	310"

A-CAB TO FRONT OF BOX
 B-CAB TO CENTER OF AXLE
 C-CAB TO REAR OF TRUCK FRAME
 D-MAXIMUM BOX OVERHANG, 20" MINIMUM
 E-CAB TO REAR OF BOX



#1-GROUND
 #2-RIGHT HAND FLASHING & TURN INDICATORS
 #3-LEFT HAND FLASHING & TURN INDICATORS
 #4-CLARENCE LAMPS

TOLERANCE UNLESS OTHERWISE SPECIFIED	MEYER MFG. CORP.
FINISH	TITLE 8100 TRUCK MOUNT DIMENSIONS
SCALE	DWG. BY JAA APPROVED BY
DATE 6/23/2009	DWG. NO. 8100 REAR UNLOAD TRUCK MOUNT